

2023



Innovation Applied





Main product index	3 - 4
Service and maintenance kits	5 - 8
Equipment hook ups	9





Product, spare parts and accessories	10 - 120
--------------------------------------	----------

Manual Spray Guns DeVilbiss/Binks /ECCO

	Advance HD Pressure Spray Gun	10
	Advance HD Gravity Cup Gun	10
	Advance HD Gravity Gun With Pressure Cup	10
	Advance HD Suction Spray Gun	10
	GTi Pro Lite Pressure Spray Gun	15
	GTi Pro Lite Gravity Cup Gun	15
	GTi Pro Lite Suction Spray Gun	15
	Pro Lite E Ceramic Pressure Spray Gun	16
	GFG Pro Gravity Cup Gun	17
	JGA Pro Pressure Spray Gun	17
	JGA Pro Suction Spray Gun	17
	JGA Ceramic Pressure Spray Gun	18
	Ecco 40S Pressure Spray Gun	19
	Ecco 40S Pressure Spray Gun	19
	PRi Pro Lite Gravity Cup Gun	20
	SRI Pro Lite Gravity Cup Gun	20
	FLG5 Pressure Spray Gun	22
	FLG5 Gravity Cup Gun	22
	FLG5 Suction Spray Gun	22
	CSpray Pressure Spray Gun	23
	CSpray Gravity Spray Gun	22
	2100 VT	22
	JJ Spray Gun	22
	DAGR Airbrush	23
	SLG-650 Compliant/HVLP Spray Gun Kit	23

Automatic Spray Guns DeVilbiss

	AG-361	24
	AG-361 E	26
	AG-362	27
	AG-362-P	29
	COBRA 3C	29
	AGMD Pro	30
	460	35

Automatic Spray guns ECCO

	Ecco 60AS	34
	Ecco 65AS	34
	Ecco 75AP	34
	Ecco 40DA	35
	Ecco 41FA	35

Airless & AAA Guns Binks

	550	36
	Trophy AA	36
	AG-363	39
	AG-364	40
	A75	44

Extrusion Guns Binks

	F200/F400 Flow Gun	45
--	--------------------	----

Electrostatic Equipment Ransburg

	RansFlex RX 45kV	46
	RansFlex RFX 65kV	46
	RansFlex RFXi 65kV (Indirect Charge)	49
	RansFlex RFQ 45kV Quick Fan Adjust	52
	RansFlex RFXQ 65kV Quick Fan Adjust	52
	RansFlex RFXW 65kV Water Based Direct Charge	55
	RansFlex RFXA 65kV Auto SB	58
	RansFlex RFXAW 65kV Auto WB	62
	RansFlex AA85	58
	Vector R70 & R90 SB Cascade	66
	Vector R70 & R90 SB Classic	66
	Vector R90 WB Cascade	86
	Vector R90 WB Classic	86
	Vector AA90 Cascade	69
	Vector AA90 Classic	69
	No. 2 gun	72

	Estaquick	72
	Evolver 560	72
	Aerobell 168	73
	Aerobell 268	73

RMA 600 Series

	RMA 560/570	73
	Accessories	74

Cap and Bell Cleaners

	Cap Cleaner	75
	Bell Cleaner	75


Pressure Tanks & Cups Binks

	Pressure Tanks & Cups	76
--	-----------------------	----



Agitators & Elevators Binks

	Binks Pneumatic Agitators	77
	Binks Electric Agitators	77
	Binks Quick Mixers	77
	Binks Premium Elevator Systems	79



Diaphragm Pumps Binks

	DX70 1:1 Diaphragm Pumps	81
	DX200 1:1 Diaphragm Pumps	83
	DX200 3:1 Diaphragm Pumps	85
	Gemini II 1:1 Transfer Pumps	86
	Transfer Pumps	86


Low Pressure & Circulation Pumps Binks

	MXL12/05	91
	Maple 15/3 Pump	87
	Maple 15/3 AFP Pump	87
	Maple 15/6 Pump	89
	Maple 30/3 Pump	89
	Maple 60/3 Pump	89
	Maple 120/3 Pump	89
	Maple 7/7 Pump	87
	Maple 15/3 Packages	88

Airless & AAA Pumps Binks

	MXL pumps	91
	Bare Pumps	96
	Maple 3/36 Bare pump and packages with Trophy	88
	AA gun	
	Maple 7/15	88
	Maple 7/15 Acid Pump	88
	Maple 8/25	88
	Maple 15/25	88
	MX35/36	92
	MX30/42	92
	MX35/60	94
	MX30/70	95
	Air Motor Spare Parts Kits	97
	Fluid Section Spare Parts Kits	98

Electric Paint Circulating Binks

	Smart Pump E2-7	89
	Smart Pump E2-15	89
	Smart Pump E2-15 AFP	89
	Smart Pump E2-30	90
	Smart Pump E2-40	90
	Smart Pump E2-60	90
	Smart Pump E4-60	90
	Smart Pump E4-100	92
	Smart Pump Vertical EV2-30	92



2K Material Supply

IntelliFlow RM2	110
IntelliFlow RF2	110



Fluid Pressure Regulators Binks

Surge Eliminator	100
Gun-mounted Regulator	100
DR-1 Fluid regulator	100
High-pressure In-line Regulator	100
Back Pressure Valves	120
Pilot Controlled Back Pressure Regulators	101
Surge Eliminators	101
Surge Eliminator	101



Pump Accessories



Mounts	102
Air Controls	102
Filters	103
Suction and hoses	103
Fittings	104
Filter elements	106
Pressure Relief Valves	105



Air & Fluid Hoses



Air Hoses, Low Pressure	107
Fluid Hoses, Low Pressure	114
Quick Coupling Connections	114
Air and Fluid Hoses, High Pressure	109



Air Fed Respirator DeVilbiss

Respirator Systems	111
--------------------	-----



Air Filter/Regulators DeVilbiss

Pro Air Regulators and Coalescers	120
FLFR Finishline Regulators and Coalescers	112



Spray Booth Filter Paper Binks

Eco Spray Booth Filter Paper	118
Spray Booth Filter Paper	126
Super Efficiency Spray Booth Filter Paper	126



Accessories

Service & Maintenance Kits	5
Binks Pump Accessories	102-106
DeVilbiss Extensions	113-117
Manual Gun Accessories	119

Office opening times:-

Monday to Thursday 8:30am to 1:00pm
 1:30pm to 5:15pm
 Friday 8:30am to 12:45pm
 1:15pm to 4:00pm



Manual Spray Guns DeVilbiss

Gun Type	Kit Part Number	Description
Advance HD Suction/Gravity/Pressure	GTI-428-K5	Seal and Pin Kit
	PRO-415-1	Spray Gun Service Kit
EGA/EGHV	KK-5044	Gasket & Seal Kit
FLG-5 Gravity / Suction	K-5030	Baffle Replacement Kit
	K-5040	Repair kit - seals and springs inc. tool
FLG-5 Pressure	K-5032	Baffle Replacement Kit
	K-5044	Repair kit - seals and springs inc. tool
GTi Pressure	GTI-414-K	Needle Adjusting Screw
	GTI-425-K	Baffle & Seal Assembly
	GTI-426-XX	General Service Kit incl. Tip and Needle
	GTI-445-K2	Needle Packing
	JGK-449-K	Air Valve Kit
	KK-4585	Gun Maintenance Kit
GTi Pro Lite/Pro Lite E/Pri Pro Lite	PRO-470	Spray Gun Repair Kit
	GTI-428-K5	Seal and Pin Kit
GFG HD/GTi HD/JGA HD/SRi HD/Pri HD/GFG Pro/JGA Pro	GTI-428-K5	Seal and Pin Kit
	PRO-415-1	Spray Gun Repair Kit
JGA/JGV/GFG	GTI-414-K	Needle Adjusting Screw
	GTI-445-K2	Needle Packing
	JGK-449-K	Air Valve Kit
	KK-4502-XX-H	General Service Kit incl. Tip and Needle
	KK-4558	Gasket & Seal Kit
	KK-4585	Gun Maintenance Kit
SRI Gravity	SRI-416	Gasket & Seal Kit
SRI Pro Lite	PRO-415-1	Spray Gun Repair Kit

Please check the service bulletin for kit contents



Automatic spray guns Binks/DeVilbiss

Gun Type	Kit Part Number	Description
95A	54-3579	Repair Kit
460	250035	Repair Kit
550	54-3121	Repair Kit
AG364	KK-4588	Soft seal service kit
AG364	KK-4589	Major overhaul service kit
AGG	KK-4501-XX-X	General Service Kit incl. Tip and Needle
AGGS	KK-4566-XXX	General Service Kit incl. Tip and Needle
AGMD Pro	AGMDPRO-406-K	Cam Kit
AGN	KK-4998	Repair Kit
COBRA 1	SPK-117	Seals
	SPK-109	Manifold Seals - Viton Extreme
COBRA 2	SPK-118	Dynamic Seals - Viton Extreme
	SPA-408-K	Needle Packing Kit
COBRA 3C	SPA-410-K	Manifold Assembly
	GTI-A	GTIA-406-XXX



Airless and AAA guns Binks

Gun Type	Kit Part Number	Description
A3500/A7500	54-5760	Airless Gun Repair Kit
Airless 1	6-236	Service Kit
	54-5826	Fluid Needle Kit
	54-5827	Filter Bracket Kit
	54-5829	Body Bushing Kit
	54-5835	Trigger Spares Kit
	54-5838	Fluid Inlet Kit
Trophy AA	GTI-428-K5	Seal and Pin Kit



Pressure Cups & Tanks Binks

Tank/Cup	Description	Kit Part Number	Description
KB-522-B	Remote Cup	KB-428-1	Repair Kit
80-600-CE	Steady-Grip Pressure Cup	80-617	Repair Kit
83C-210-CE	10L Zinc Plated Pressure Tank	KK-4977*	Repair Kit
83Z-211-CE	10L ST ST Pressure Tank	KK-4977*	Repair Kit
183G-1013-CE	40L Galvanised Pressure Tank	KK-4977*	Repair Kit

* Regulator repair kit



DX70 1:1 Diaphragm Pump Binks

Kit Part Number	Description
DXK-1	Check valve seal kit x 4
DXK-2	Check valve kit x 4
DXK-3	Diaphragm kit x 2
DXK-4	Shaft & seal kit
DXK-14	Air valve kit
DXK-15	Fluid regulator kit



DX200 1:1 Diaphragm Pump Binks

Kit Part Number	Description	Material
DXK-201	Check valve seal kit x 4	Aluminium
DXK-202	Check valve kit x 4	Aluminium
DXK-203	Diaphragm kit x 2	Aluminium
DXK-276	Enamel Check Valve Kit x 4	Aluminium
DXK-204	Shaft & seal kit	Aluminium
DXK-213	Fluid regulator diaphragm assembly	Universal
DXK-214	Fluid regulator insert kit	Universal
DXK-216	Air valve kit	Universal
DXK-222	Check valve seal kit x 4	ST ST
DXK-223	Check valve kit x 4	ST ST
DXK-262	Enamel Check Valve Kit x 4	ST ST
DXK-224	Diaphragm kit x 2	ST ST
DXK-225	Shaft & seal kit	ST ST



DX200 3:1 Diaphragm Pump Binks

Kit Part Number	Description	Material
DXK-216	Air valve kit (Front)	Universal
DXK-287	Check valve seal kit x 4	ST ST
DXK-288	Check valve kit x 4	ST ST
DXK-304	Diaphragm kit x 2	ST ST
DXK-266	Shaft & seal kit	ST ST
DXK-244	Air valve rebuild kit (Rear)	ST ST
DXK-241	Rear air valve gasket	ST ST
DXK-237	Piston retaining seals	ST ST
DXK-265	Piston seal	ST ST
DXK-229	Inlet/Outlet seals	ST ST
DXK-305	End Cap Seal Kit	ST ST
DXK-301	Overhaul Kit	ST ST

For use with pumps from serial no. 40209 onwards.



Maple Pneumatic Pump Binks

Pump Type	Kit Part No.	Description
Maple 15/3	250625	Fluid Piston Seal Kit
	250626	Fluid Section Overhaul Kit
	250627	Air Motor Seal Kit
	250628	Control Valve Kit
Maple 15/3 AFP	250714	Fluid Piston Seal Kit
	250715	Fluid Section Overhaul Kit
	250627	Air Motor Seal Kit
	250628	Control Valve Kit
Maple 15/6	250771	Fluid Section Seal Kit
	250772	Fluid Overhaul Kit
	250618	Air Motor Seal Kit
	250628	Control Valve Kit
Maple 7/7	250653	Fluid Section Seal Kit
	250655	Fluid Overhaul Kit
	250695	Air Motor Seal Kit
	250628	Control Valve Kit
Maple 7/15	250653	Fluid section seal & O-ring Kit
	250655	Fluid section overhaul kit
	250657	Air motor seal kit
Maple 8/25	250653	Fluid section seal & O-ring Kit
	250654	Fluid section overhaul kit
Maple 30/3	250608	Fluid Piston Seal Kit
	250619	Fluid Section Overhaul Kit
	250618	Air Motor Seal Kit
	250620	Control Valve Kit
Maple 60/3	250632	Fluid Section Service Kit
	250633	Fluid Section Overhaul Kit
	250656	Air Motor Seal Kit
Maple 15/25	250844	Fluid Section seal Kit
	250845	Fluid Overhaul Kit
	195769-K2	Bellows Kit
	250843	Air Motor Seal Kit
	250851	Air Motor Overhaul Kit
	250853	Air Motor Control Valve kit
	0115-010037-K2	Single Pump Poppet Kit
	250846	Fluid Section Seal Kit
	250847	Fluid Overhaul Kit
195769-K2	Bellows Kit	
Maple 120/3	250843	Air Motor Seal Kit
	250851	Air Motor Overhaul Kit
	250853	Air Motor Control Valve kit
	0115-010037-K2	Single Pump Poppet Kit
Maple 3/36		See manual 77-3341 for kits

Please check the service bulletin for kit contents



Smart Pump Binks

Pump Type	Kit Part No.	Description
E2-7	250773	Fluid Piston Seal Kit
	250774	Wet Section Overhaul Kit
	250642	Main Bearing Overhaul Kit
E2-15	250735	Fluid Piston Seal Kit
	250736	Fluid Section Overhaul Kit
	250642	Main Bearing Overhaul Kit
E2-15 AFP	250714	Fluid Section Seal Kit
	250716	Wet Section Overhaul Kit
	250642	Main Bearing Overhaul Kit
E2-30	250607	Fluid section O-ring Kit
	250608	Fluid Piston Seal Kit
	250609	Bellows Replacement Kit
	250611	Cam Follower Bearing Kit
	250612	Linear Guide and Rod Kit
	250599	Main Bearing Overhaul Kit
E2-40	250607	Fluid section O-ring Kit
	250608	Fluid Piston Seal Kit
	250609	Bellows Replacement Kit
	250611	Cam Follower Bearing Kit
	250612	Linear Guide and Rod Kit
E2-60	250599	Main Bearing Overhaul Kit
	250686	Fluid Section Service Kit
	250687	Fluid Section Overhaul Kit
	250683	Main Bearing Overhaul Kit
	250684	Linear Guide and Rod Kit
E4-60	250685	Cam Follower Bearing Kit
	250600	Fluid Section Overhaul Kits
	250601	Piston Seal/Ball Check Spring Kit
	250595	Bellows Replacement Kit
	250596	Fluid Section Overhaul Kit
EV2-15	250597	Cam Follower Bearing Kit
	250598	Linear Guide and Rod Kit
	250599	Main Bearing Overhaul Kit
	250839	Fluid Section seal Kit
	250840	Fluid Overhaul Kit
	250842	Bellows Replacement Kit
EV2-30	250838	Cam Follower Bearing Kit
	250837	Linear Bearing
	250841	Main Bearing Overhaul Kit
	250806	Fluid Section seal Kit
	250807	Fluid Overhaul Kit
E4-100	250609	Bellows Replacement Kit
	250597	Cam Follower Bearing Kit
	250598	Linear Bearing
	250599	Main Bearing Overhaul Kit
	250814	Fluid Section seal Kit
E4-100	250815	Fluid Overhaul Kit
	250816	Bellows Replacement Kit
	250817	Cam Follower Bearing Kit
	250818	Linear Bearing
	250819	Main Bearing Overhaul Kit

Please check the service bulletin for kit contents



High Pressure Fluid Pumps Binks

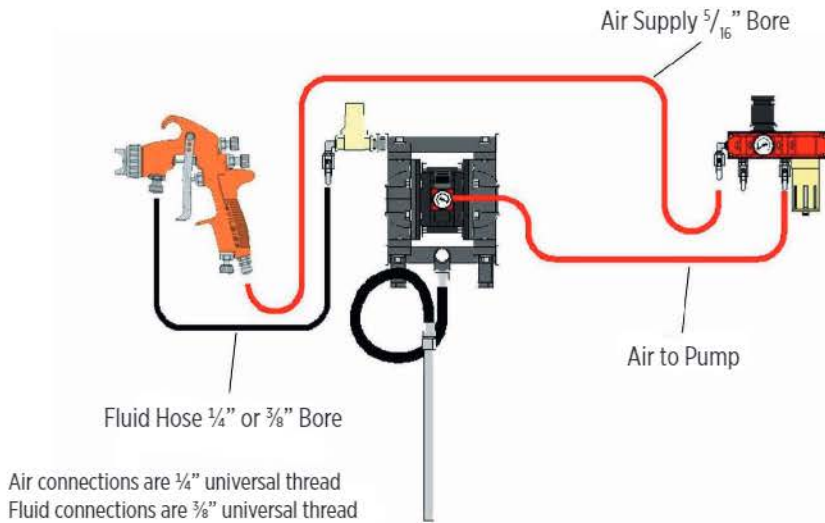


High Pressure Pump Air Motors Binks

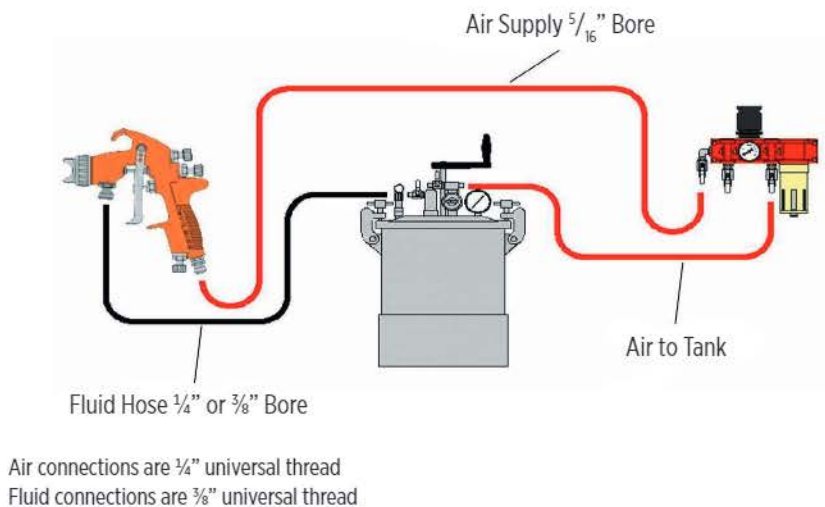
Fluid Pump	Kit Part No	Description
FX4 FXL4	MX4/12 MX4/32 MXL4/12 MXL4/32	0115-010221 Seal Kit (PTFE/Leather)
		0115-010223 Seal Kit (PTFE)
		0115-010225 Seal Kit (PTFE/UHMWPE)
		0115-010222 Repair Kit (PTFE/Leather)
		0115-010224 Repair Kit (PTFE)
FX12/ FXL12	MX12/12 MX12/31 MXL12/05 MXL12/12 MXL12/32	0115-010388 Repair Kit (PTFE/UHMWPE)
		0115-010307 Repair Kit (PTFE/Leather)
		0115-010309 Repair Kit (PTFE)
		0115-010387 Repair Kit (PTFE/UHMWPE)
		0115-010306 Seal Kit (PTFE/Leather)
		0115-010308 Seal Kit (PTFE)
		0115-010303 Seal Kit (PTFE/UHMWPE)
FX190	MX30/70 MX30/42	250662 Seal Kit, PTFE/Leather
		250663 Seal Kit, PTFE/UHMWPE
		250670 Seal Kit, PTFE
		250671 Seal Kit, UHMWPE
		250690 Seal Kit, UHMWPE/Leather
		250664 Repair Kit, PTFE/Leather
		250665 Repair Kit, PTFE/UHMWPE
		250672 Repair Kit, PTFE
		250673 Repair Kit, UHMWPE
		250691 Repair Kit, UHMWPE/ Leather
		FX220
250659 Seal Kit, PTFE/UHMWPE		
250666 Seal Kit, PTFE		
250667 Seal Kit, UHMWPE		
250688 Seal Kit, UHMWPE/Leather		
250660 Repair Kit, PTFE/Leather		
250661 Repair Kit, PTFE/UHMWPE		
250668 Repair Kit, PTFE		
250669 Repair Kit, UHMWPE		
250689 Repair Kit, UHMWPE/ Leather		

Air Motor	Use with Pump	Part No	Description
AX55S	MX4/12/ MXL12/05 MXL4/12	0115-010216 Seal Kit	
		0115-010214 Repair Kit	
		0115-010226 Air Motor Valve Repair Kit	
		0115-010213 Hardware Kit	
AX85S	MX4/32 MX12/12 MXL4/32 MXL12/12	0115-010217 Seal Kit	
		0115-010215 Repair Kit	
		0115-010226 Air Motor Valve Repair Kit	
		0115-010213 Hardware Kit	
AX140S	MX12/31 MXL12/31	0115-010301 Repair Kit	
		0115-010226 Air Motor Valve Repair Kit	
		0115-010302 Seal Kit	
		0115-010300 Hardware Kit	
AX200L	MX35/36 MX30/42	250703 Seal Kit	
		250702 Cylinder seal kit	
		250649 Air Motor Valve Repair Kit	
		250701 Hardware Kit	
		250651 Exhaust Seal Kit	
AX260L	MX35/35 MX35/60 MX30/70	250645 Seal Kit	
		250648 Cylinder Seal Kit	
		250649 Air Motor Valve Repair Kit	
		250650 Hardware Kit	
		250651 Exhaust Seal Kit	
		194066 Motor Rod Kit	

Typical Manual Spray Gun & Pump Hook Up



Typical Manual Spray Gun & Pressure Feed Tank Hook Up



Air & Fluid Hose recommendations:-

If the fluid hose is **under** 7.5m (25ft) in length use $\frac{1}{4}$ " bore fluid hose.

If the fluid hose is **over** 7.5m (25ft) in length use $\frac{3}{8}$ " bore fluid hose.

We recommend $\frac{5}{16}$ " bore air hose at all times for gun supply.

For best spray gun performance only original air hose connectors should be used to minimise air pressure loss - very important for Trans-Tech and HVLP guns.



Advance HD HVLP and Trans-Tech

Part no.	
ADV-PXXX-YY	Advance HD Pressure, Trans-Tech, with ST ST tip/needle & air cap
ADV-PXXX-YY	Advance HD Pressure, HVLP, with ST ST tip/needle & air cap
ADV-PXXX-YYN	Advance HD Pressure, Trans-Tech, with Hardened tip/needle & air cap
ADV-PXXX-YYC	Advance HD Pressure, Trans-Tech, with Tungsten Carbide tip/needle & air cap
ADV-GXXX-YY	Advance HD Gravity, Trans-Tech, with ST ST tip/needle & air cap
ADV-GXXX-YY	Advance HD Gravity, HVLP, with ST ST tip/needle & air cap
ADV-GXXX-YYN	Advance HD Gravity, Trans-Tech, with Hardened tip/needle & air cap
ADV-GPXXX-YY	Advance HD Gravity, Trans-Tech, with Pressure assist gravity cup, ST ST tip/needle & air cap
ADV-GPXXX-YY	Advance HD Gravity, HVLP, with Pressure assist gravity cup, ST ST tip/needle & air cap
ADV-SXXX-YY	Advance HD Suction, Trans-Tech, with ST ST tip/needle & air cap
ADV-SXXX-YY	Advance HD Suction, HVLP, with ST ST tip/needle & air cap

Advance HD Conventional

Part no.	
ADV-PXXX-YY	Advance HD Pressure, Conventional with ST ST tip/needle & air cap
ADV-PXXX-YYN	Advance HD Pressure, Conventional, with Hardened tip/needle & air cap
ADV-PXXX-YYC	Advance HD Pressure, Conventional, with Tungsten Carbide tip/needle & air cap
ADV-GXXX-YY	Advance HD Gravity, Conventional, with ST ST tip/needle & air cap
ADV-GXXX-YYN	Advance HD Gravity, Conventional, with Hardened tip/needle & air cap
ADV-GPXXX-YY	Advance HD Gravity, Conventional, with Pressure assist gravity cup, ST ST tip/needle & air cap
ADV-SXXX-YY	Advance HD Suction, Conventional, with ST ST tip/needle & air cap

Atomisation Type = Conventional HVLP Trans-Tech



Gun Kit Part Numbering:

ADV-GXXX-YY

Gun:

- ADV-G = Gravity
- ADV-GP = Gravity Pressure
- ADV-P = Pressure
- ADV-S = Suction

SP-100-510-K
Air cap

SP-200S-13-K
Tip and needle



GFC-501
Gravity cup kit for Advance HD Gravity



GFC-512-K
Gravity Pressure Assist cup kit



KR-566-1-B
Suction cup kit for Advance HD Suction



Extensions are available for Advanced HD Conventional Pressure. Please see Page 121 for details

Air Cap Selection Table

Part no. XXX	Tip Ø in mm											
	0.5	0.7	0.85	1.0	1.2	1.3	1.4	1.6	1.8	2.0	2.2	2.8
SP-100-430-K			P	P	P G	P G GP	P G GP S	P G GP S	P G GP S	P G GP S	P G GP S	
SP-100-443-K			P	P	P G	P G GP	P GP S	P GP S	P GP S	P GP S	P GP S	
SP-100-462-K											P	P
SP-100-470-K											P	P G
SP-100-477-K			P	P	P	P	P	P	P	P	P	
SP-100-497-K			P	P	P	P	P	P	P	P	P	
SP-100-500R-K			P	P	P	P G	P	P G S	P G S	P G S	P G S	
SP-100-505-K			P	P	P	P G GP	P G GP	P G GP S	P G GP S	P G GP S	P G GP S	
SP-100-590HV-K	P	P		P								
SP-100-510-K			P	P	P	P G GP	P G GP	P G GP S	P G GP S	P G GP S	P G GP S	
SP-100-513-K			P	P	P G	P G GP	P G GP	P G GP S	P G GP S	P G GP S	P G GP S	
SP-100-515-K			P	P	P	P	P	P	P	P	P	
SP-100-520-K			P	P	P G	P G GP	P G GP	P G GP S	P G GP S	P G GP S	P G GP S	
SP-100-522-K			P	P	P	P	P	P	P	P	P	
SP-100-523-K			P	P	P	P	P	P	P	P	P	
SP-100-590-K	P	P		P								
SP-100-591-K	P	P		P								

Atomisation Type = Conventional HVLP Trans-Tech

Gun = P = Pressure G = Gravity GP = Gravity Pressure S = Suction

Tip and Needle Selection Table

Part no. YY	Order No - SP-...-...-K											
	0.5	0.7	0.85	1.0	1.2	1.3	1.4	1.6	1.8	2.0	2.2	2.8
Tip(SS)	259S-05 ¹	259S-07 ¹	200S-085	200S-10 259S-10 ¹	200S-12	200S-13	200S-14	200S-16	200S-18	200S-20	200S-22 247S-22 ²	247S-28 ²
Hardened Tip				200N-10	200N-12		200N-14	200N-16	200N-18	200N-20	200N-22 247N-22 ²	247N-28 ²
Carbide Tip											247C-22 ²	247C-28 ²

Part no. YY	Order No - ADV-...-...-K											
	0.5	0.7	0.85	1.0	1.2	1.3	1.4	1.6	1.8	2.0	2.2	2.8
Needle (SS)	310-05 ¹	310-07 ¹	310-085	310-10	310-12	310-13	310-14	310-16	310-18	310-20	310-22	310-28
Hardened Needle				310N-10	310N-12		310N-14	310N-16	310N-18	310N-20	310N-22	310N-28
Carbide Needle											310C-22	310C-28 ²
Needle with nylon tip				310P-10	310P-12 ³		310P-14					

¹ only for air caps 590/591 ² only for air caps 462/470 ³ ADV-310P-12-K

Advance HD Recommended Spares & Accessories



SN-402-K
Air Valve Assembly
for Advance HD P G S



SN-404-K
Packing spring and nut kit
for Advance HD G



SN-405-K5
Stud & Screw Set for
Advance HD P G S



SP-626-K5
Separator for Advance HD G S



ADV-401-K
Spreader valve assembly
for Advance HD P G S



KGP-5-K5
Filter (Pack of 5) for
Advance HD G



KR-484-K10
Filter (Pack of 10) for
Advance HD S



KR-115-K5
Drip check diaphragm
(Pack of 5) for Advance HD S

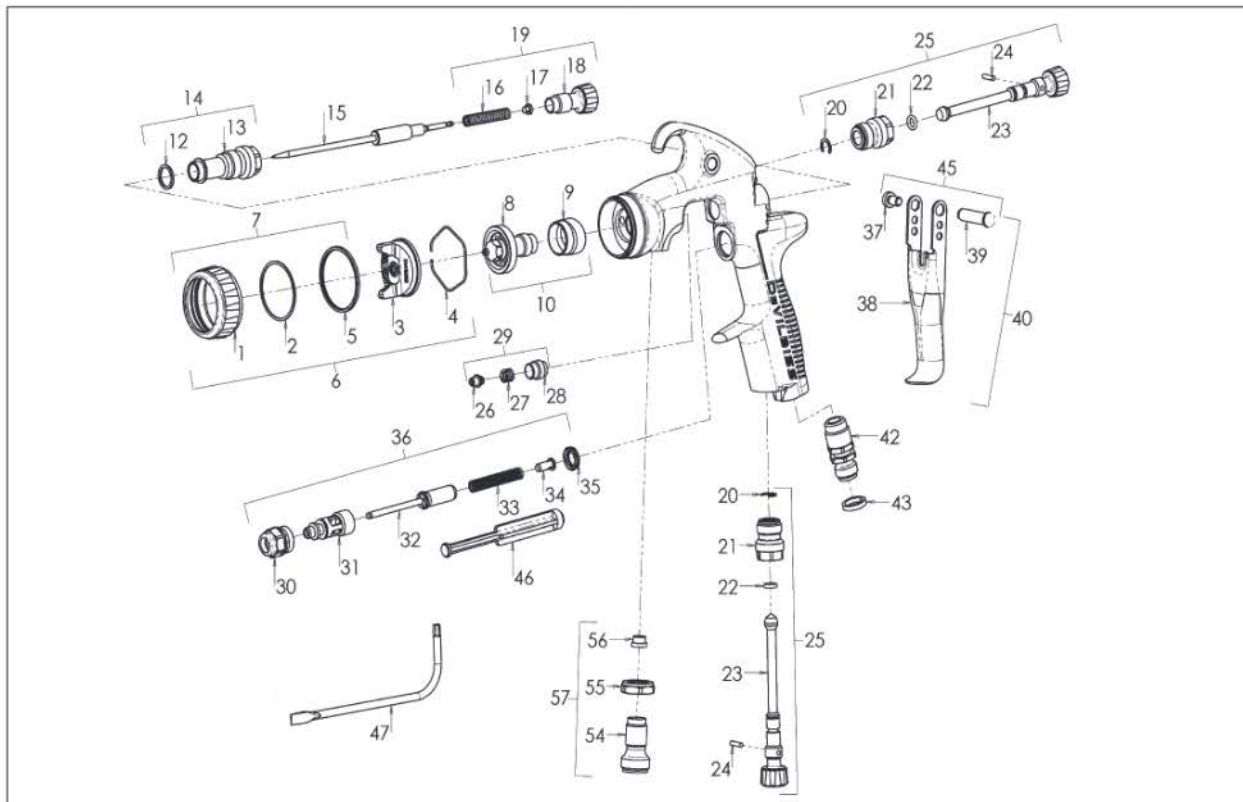


SN-6-K
Body bushing and seal for
Advance HD P G S



ADV-6-K
Fluid adjusting knob, spring & pad
kit for Advance HD P G S

Advance HD Pressure



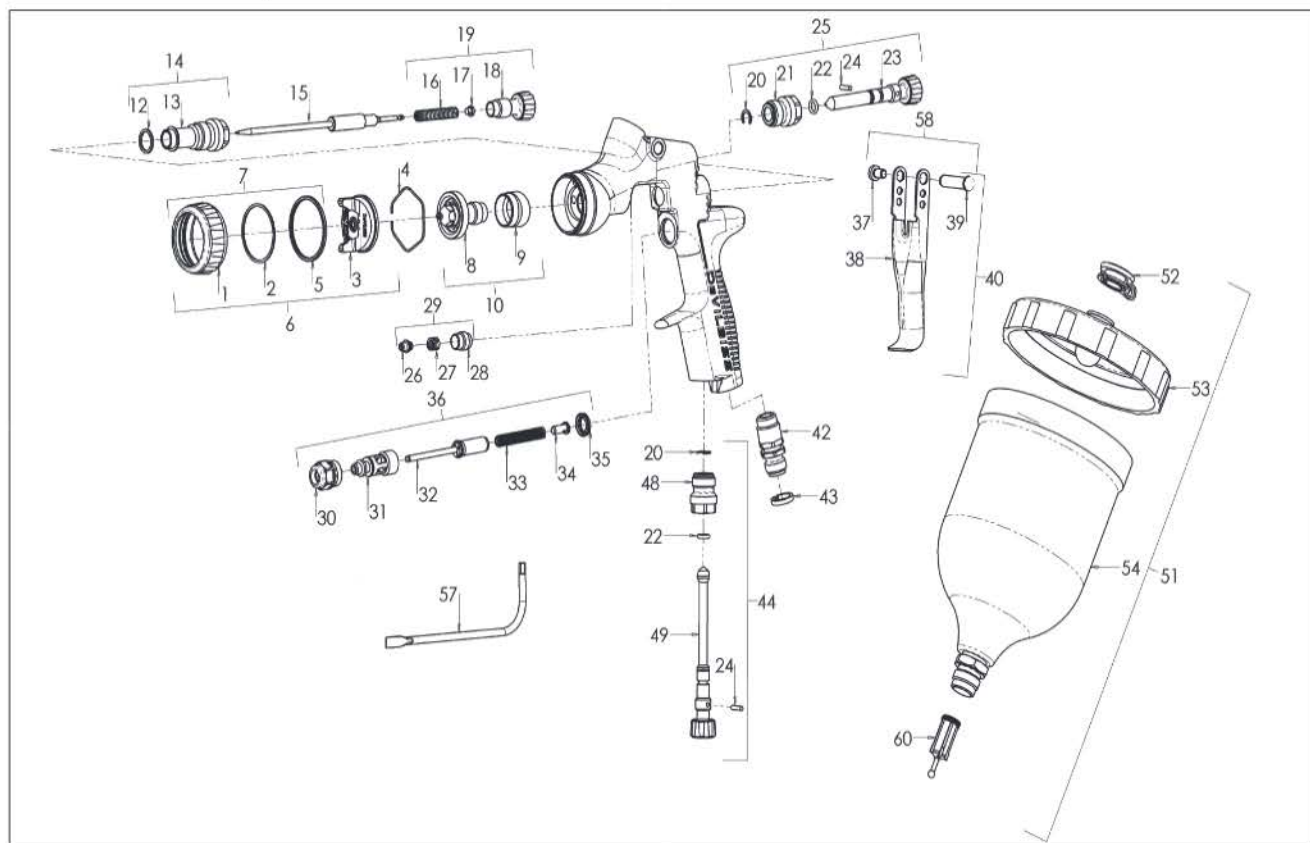
Spare Parts

Ref.	Part no.	Description
1		Air cap retaining ring
2		Slip ring
3		Air cap
4	JGA-156-K5	Air cap retaining ring
5		Retaining ring seal
6		Air cap and ring (see table)
7	ADV-403-K	Air cap retaining ring & seals
8		Fluid nozzle (see table)
9	SP-626-K5	Separator
10		Fluid nozzle kit (see table)
12*		Body bushing seal
13		Body bushing
14	SN-6-K	Body bushing & seal
15		Fluid needle (see table)
16*		Needle spring
17*		Needle spring pad
18		Fluid adjusting knob
19	ADV-6-K	Fluid adjusting knob, spring & pad kit
20*		Retaining Clip
21*		Spreader valve body
22*		Spreader valve seal
23		Spreader valve adjusting knob
24*		Spreader valve pin
25	ADV-401-K	Spreader valve assembly
26*		Needle packing
27*		Packing spring
28*		Packing nut
29	SN-404-K	Packing spring & packing nut kit

Ref.	Part no.	Description
29a**	ADV-406-K2	Ceramic packing - kit of 2
30		Air valve body
31		Air valve cage
32		Air valve poppet
33		Air valve spring
34		Air valve spring pad
35	SN-34-K5	Air valve seal
36	SN-402-K	Air valve assembly
37*		Trigger stud screw (T20 Torx)
38		Trigger
39*		Trigger stud
40	SN-63-K	Trigger stud and screw set
42	SN-9-K	Air inlet
43	SN-26-K4	Colour ID ring kit (4 colours)
45	SN-405-K5	Stud and screw kit
46		Air valve service tool
47	SPN-8-K2	Torx key
54		Fluid inlet connector
55		Lock Nut
56		Seal
57	ADV-7-K	Fluid inlet connector kit
	PRO-415-1	Spray gun repair kit (items marked *)
	GTI-428-K5	Seal and Pin Kit (kit of 5) items 20,22 & 24
	SN-406	Tool kit - Spanner, Torx Driver and Cleaning Brush

**Supplied as standard with guns ordered with SP-100-470-K air cap and Tungsten Carbide needle and tip.

Advance HD Gravity

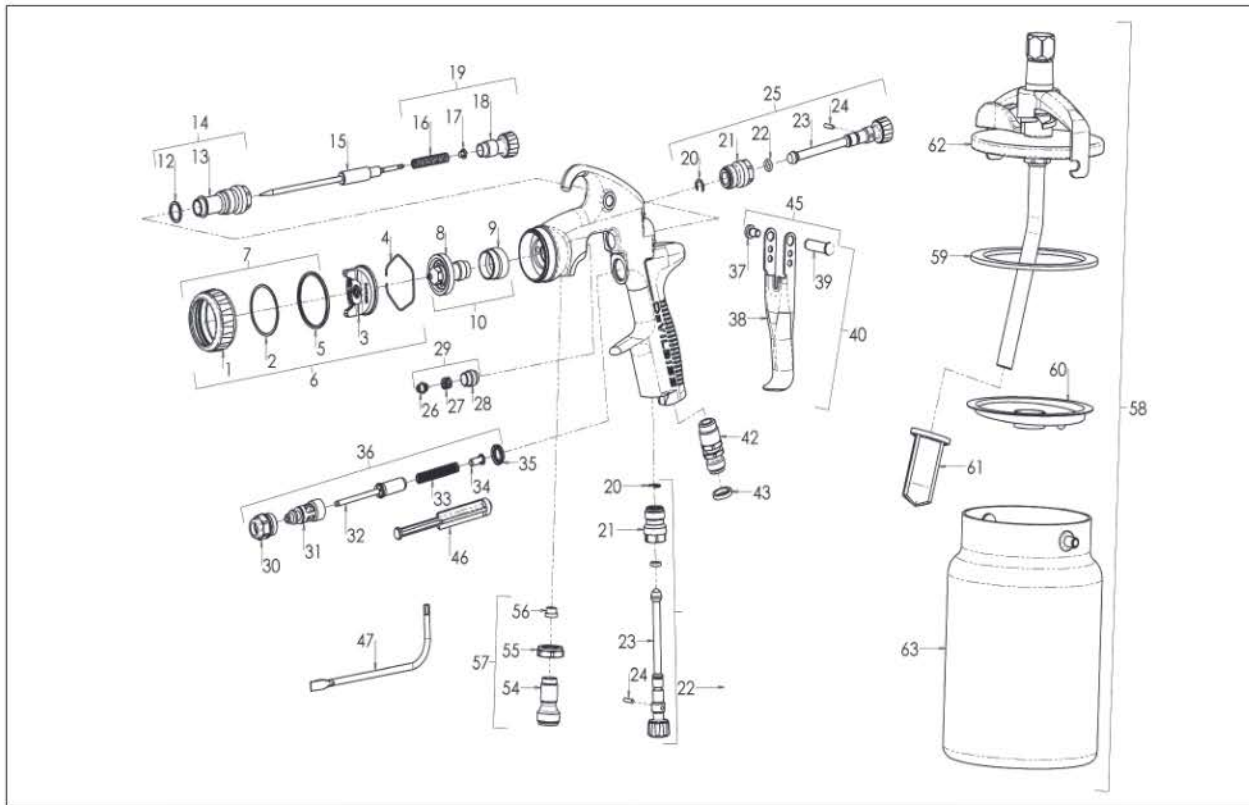


Spare Parts

Ref.	Part no.	Description
1		Air cap retaining ring
2		Slip ring
3		Air cap
4	JGA-156-K5	Air cap retaining ring
5		Retaining ring seal
6		Air cap and ring (see table)
7	ADV-403-K	Air cap retaining ring & seals
8		Fluid nozzle (see table)
9	SP-626-K5	Separator
10		Fluid nozzle kit (see table)
12*		Body bushing seal
13		Body bushing
14	SN-6-K	Body bushing & seal
15		Fluid needle (see table)
16*		Needle spring
17*		Needle spring pad
18		Fluid adjusting knob
19	ADV-6-K	Fluid adjusting knob, spring & pad kit
20*		Retaining Clip
21*		Spreader valve body
22*		Spreader valve seal
23		Spreader valve adjusting knob
24*		Spreader valve pin
25	ADV-402-K	Spreader valve assembly
26*		Needle packing
27*		Packing spring
28*		Packing nut
29	SN-404-K	Packing spring & packing nut kit
30		Air valve body

Ref.	Part no.	Description
31		Air valve cage
32		Air valve poppet
33		Air valve spring
34		Air valve spring pad
35	SN-34-K5	Air valve seal
36	SN-402-K	Air valve assembly
37*		Trigger stud screw (T20 torx)
38		Trigger
39*		Trigger stud
40	SN-63-K	Trigger stud and screw set
42	SN-9-K	Air inlet
43	SN-26-K4	Colour ID ring kit (4 colours)
44	ADV-401-K	Airflow valve
48		Valve body
49		Valve stem
51	GFC-501	Gravity cup kit
52	GFC-2-K5	Drip check lid (kit of 5)
53	GFC-402	Gravity cup lid
54		Gravity cup
56		Air valve service kit
57	SPN-8-K2	Torx key
58	SN-405-K5	Stud and screw kit
59		Spanner
60	KGP-5-K5	Filter (Pack of 5)
	PRO-415-1	Spray gun repair kit (items marked *)
	GTI-428-K5	Seal and Pin Kit (kit of 5) items 20,22 &24
	SN-406	Tool kit - Spanner, Torx Driver and Cleaning Brush

Advance HD Suction



Spare Parts

Ref.	Part no.	Description
1		Air cap retaining ring
2		Slip ring
3		Air cap
4	JGA-156-K5	Air cap retaining ring
5		Retaining ring seal
6		Air cap and ring (see table)
7	ADV-403-K	Air cap retaining ring & seals
8		Fluid nozzle (see table)
9	SP-626-K5	Separator
10		Fluid nozzle kit (see table)
12*		Body bushing seal
13		Body bushing
14	SN-6-K	Body bushing & seal
15		Fluid needle (see table)
16*		Needle spring
17*		Needle spring pad
18		Fluid adjusting knob
19	ADV-6-K	Fluid adjusting knob, spring & pad kit
20*		Retaining Clip
21*		Spreader valve body
22*		Spreader valve seal
23		Spreader valve adjusting knob
24*		Spreader valve pin
25	ADV-401-K	Spreader valve assembly
26*		Needle packing
27*		Packing spring
28*		Packing nut
29	SN-404-K	Packing spring & packing nut kit
30		Air valve body

Ref.	Part no.	Description
31		Air valve cage
32		Air valve poppet
33		Air valve spring
34		Air valve spring pad
35	SN-34-K5	Air valve seal
36	SN-402-K	Air valve assembly
37*		Trigger stud screw (T20 torx)
38		Trigger
39*		Trigger stud
40	SN-63-K	Trigger stud and screw set
42	SN-9-K	Air inlet
43	SN-26-K4	Colour ID ring kit (4 colours)
45	SN-405-K5	Stud and screw kit
46		Air valve service tool
47	SPN-8-K2	Torx key
54		Fluid inlet connector
55		Lock Nut
56		Seal
57	ADV-7-K	Fluid inlet connector kit
58	KR-566-1-B	Suction cup complete with lid
59	KR-11-K3	Cup lid gasket - kit of 3
60	KR-115-K5	Drip check diaphragm - kit of 5
61	KR-484-K10	Filter - Kit of 10
62	KR-4001-B	Lid assembly
63	KR-466-K	Cup
	PRO-415-1	Spray gun repair kit (items marked *)
	GTI-428-K5	Seal and Pin Kit (kit of 5) items 20,22 &24
	SN-406	Tool kit - Spanner, Torx Driver and Cleaning Brush

GTi Pro Lite



Part no.

PROLT-PTEXX-YY	GTi Pro Lite Pressure, Trans-Tech* with tip/needle & air cap
PROLT-GTEXX-YY	GTi Pro Lite Gravity, Trans-Tech* with tip/needle & air cap
PROLT-GHVXX-YY	GTi Pro Lite Gravity, HVLP, with tip/needle & air cap
PROLT-STEXX-YY	GTi Pro Lite Suction, Trans-Tech* with tip/needle & air cap
PROLT-SHVXX-YY	GTi Pro Lite Suction, HVLP, with tip/needle & air cap

GTi Pro Lite Air Cap Selection Table

Part no. XXXX	Tip Ø in mm							
	0.85	1.0	1.2	1.3	1.4	1.6	1.8	2.0
PRO-100-HV30-K			G	G	PG	PGS	PGS	GS
PRO-100-TE10-K	P	P	PG	G	PG	PGS	PGS	GS
PRO-100-TE20-K	P	P	PG	G	PG	PGS	PGS	GS
PRO-100-TE30-K	P	P	P		P	P	P	
PRO-100-TE40-K	P	P	P		P	P	P	

GTi Pro Lite Tip and Needle Selection Table

Part no. YY	Order No - PRO-...-...-K							
	0.85	1.0	1.2	1.3	1.4	1.6	1.8	2.0
Tip - Pressure	205-085	205-10	205-12		205-14	205-16	205-18	
Tip - Gravity			200-12	200-13	200-14	200-16	200-18	200-20
Tip - Suction						200-16	200-18	200-20
Needle - Pressure	320-085-10			320-12-14		320-16-18		
Needle - Gravity				PRO-301-K			PRO-303-K	
Needle - Suction							PRO-325-K	

Atomisation Type = Conventional HVLP Trans-Tech

GTi Pro Lite Recommended Spares & Accessories



PRO-470
Spray Gun Repair Kit
for GTi Pro Lite



GTI-428-K5
Seal & Pin Kit (Set of 5)
for GTi Pro Lite



PRO-471
Air Valve Kit for GTi Pro Lite



SN-404-K
Packing spring and
packing nut for GTi Pro Lite



SN-69-K
Spray Head and Seal Kit for
GTi Pro Lite



KGP-5-K5
Filter (Pack of 5) for
GTi Pro Lite G



KR-484-K10
Filter (Pack of 10)
for GTi Pro Lite S



KR-115-K5
Drip check diaphragm
(Pack of 5) for GTi Pro Lite S



GFC-501
Gravity Cup Kit for
GTi Pro Lite G



KR-566-1-B
Suction Cup Kit for
GTi Pro Lite S

Gun Kit Part Numbering:

PROLT-XXXX-YY

P = Pressure
G = Gravity
S = Suction

PRO-100-TE10-K
Air cap

RRO-205-10-K = Tip



PRO Lite E - Conventional

Part no.	
PROLT-ECXX-YY	PRO Lite Pressure E, Conventional with ST/ST tip/needle & air cap
PROLT-ECXX-YYN	PRO Lite Pressure E, Conventional with Hardened tip/needle & air cap
PROLT-ECXX-YYC	PRO Lite Pressure E, Conventional, with Tungsten Carbide tip/needle & air cap

Atomisation Type = Conventional HVLP Trans-Tech *High Efficiency

Pro Lite E Air Cap Selection Table

Part no. XX	1.4	1.8	2.2	2.8
PROC-120-C62-K				●
PROC-120-C64-K			●	
PROC-120-C67-K	●	●		

Pro Lite E Tip And Needle Selection Table

Part no. YY	Order No			
	1.4	1.8	2.2	2.8
Tip(SS)	PRO-250-14-K	PRO-250-18-K	PRO-250-22-K	PRO-250-28-K
Hardened Tip	PRO-250N-14-K	PRO-250N-18-K	PRO-250N-22-K	PRO-250N-28-K
Tungsten Tip		PRO-250C-18	PRO-250C-22	PRO-250C-28

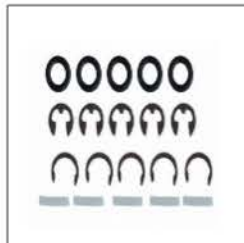
Part no. YY	Order No			
	1.4	1.8	2.2	2.8
Needle (SS)	PRO-350-18-22-K	PRO-350-18-22-K	PRO-350-18-22-K	PRO-350-28-K
Hardened Needle	PRO-350N-18-22-K	PRO-350N-18-22-K	PRO-350N-18-22-K	PRO-350N-28-K
Tungsten Needle		PRO-350C-18-22	PRO-350C-18-22	PRO-350C-28

Note - Pro Lite E spray guns are only for use on ceramic/enamel water based materials only

Pro Lite E Recommended Spares & Accessories



PRO-470
Spray Gun Repair Kit for GTi Pro Lite E



GTI-428-K5
Seal & Pin Kit (Set of 5) for GTi Pro Lite E



PRO-471
Air Valve Kit for GTi Pro Lite E



SP-617-CR-K
Trigger Stud & Screw Set for GTi Pro Lite E



PRO-408-BL-K
Spreader Valve Assembly for GTi Pro Lite E



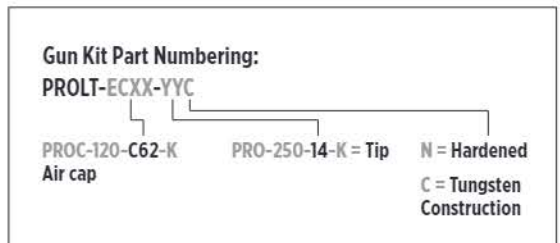
PRO-407-BL-K - p.o.a
Cheater Valve Assembly for GTi Pro Lite E



For spray gun air & fluid hoses see Page 114



For universal gun cleaning kits see accessories on Page 127



JGA & GFG Pro Conventional



Part no.	
JGAPRO-XX-YY JGA	Pro Pressure, Conventional, with tip/needle & air cap
GFGPRO-XX-YY GFG	Pro Gravity, Conventional, with tip/needle & air cap
JGASPRO-XX-YY JGA	Pro Suction, Conventional, with tip/needle & air cap

JGA Pro Air Cap Selection Table

Part no. XX	Tip Ø In mm					
	0.85	1.0	1.2	1.4	1.6	1.8
PROC-120-C1-K	P	P	P	P S	P S	P S
PROC-120-C2-K	P	P	P	P S	P S	P S
PROC-120-C3-K	P	P	P	P	P	P

JGA Pro Tip And Needle Selection Table

Part no. YY	Order No.					
	0.85	1.0	1.2	1.4	1.6	1.8
Tip (P)	PROC-230-085-K	PROC-230-10-K	PROC-230-12-K	PROC-230-14-K	PROC-220-16-K	PROC-220-18-K
Tip (S)				PROC-220-14-K		
Needle (P)	PRO-305-085-10-K	PRO-305-085-10-K	PRO-305-12-14-K	PRO-305-12-14-K	JGAPRO-330-K	JGAPRO-330-K
Needle (S)				JGAPRO-330-K		

GFG Pro Air Cap Selection Table

Part no. XX	Tip Ø In mm		
	1.4	1.6	1.8
PROC-120-C1-K	●	●	●
PROC-120-C2-K	●	●	●

GFG Pro Tip And Needle Selection Table

Part no. YY	Order No.		
	1.4	1.6	1.8
Tip	PROC-220-14-K	PROC-220-16-K	PROC-220-18-K
Needle		GFGPRO-320-K	

Atomisation Type = Conventional HVLP Trans-Tech

JGA & GFG Pro Recommended Spares & Accessories



PRO-415-1
Spray Gun Repair Kit for JGA & GFG Pro



GTI-428-K5
Seal & Pin Kit (Set of 5) for JGA & GFG Pro



SN-402-K
Air Valve Assembly for JGA & GFG Pro



SN-404-K
Packing Spring & Nut Kit for JGA & GFG Pro



SN-6-K
Body bushing and seal for JGA & GFG Pro



KR-566-1-B
Suction cup kit for JGA Pro Suction



GFC-501
Gravity cup kit for GFG Pro



KGP-5-K5
Filter (Pack of 5) for GFG Pro



KR-484-K10
Filter (Pack of 10) for JGA Pro Suction



KR-115-K5
Drip check diaphragm (Pack of 5) for JGA Pro Suction

Gun Kit Part Numbering:

JGAPRO-XX-YY

Gun
P = Pressure
S = Suction

PROC-120-C3-K Air cap
PROC-220-16-K Tip

GFGPRO-XX-YY

Gun
PROC-120-C1-K Air cap
PROC-220-14-K Tip



JGA Ceramic Conventional

Part no.	
JGA-XXXXX-YYYY	JGA Ceramic Pressure, Conventional, with ST ST tip/needle & air cap
JGA-XXXXX-YYYYN	JGA Ceramic Pressure, Conventional, with Hardened tip/needle & air cap
JGA-XXXXX-YYYYC	JGA Ceramic Pressure, Conventional, with Tungsten Carbide tip/needle & air cap

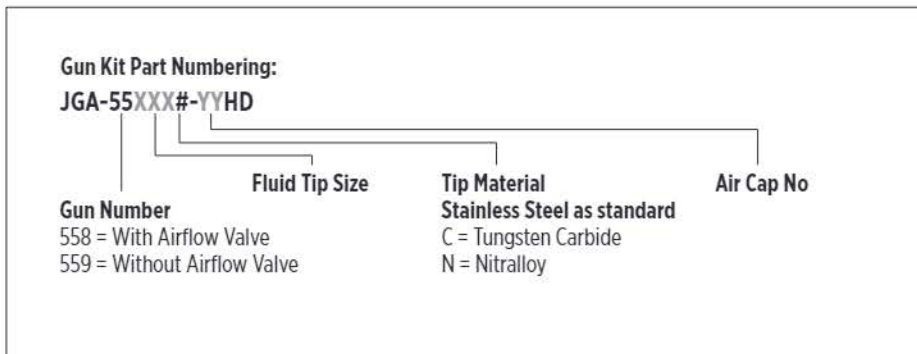
JGA Air Cap Selection Table

Part no. YY	Tip Ø in mm		
	1.8 - E	2.2 - D	2.8 - AC
MB-4039-62HD			●
MB-4039-64HD		●	
MB-4039-67HD	●		
MB-4039-69HD		●	

JGA Tip And Needle Selection Table

Part no. XX	Order No.		
	1.8 - E	2.2 - D	2.8 - AC
Tip - ST ST	AV-645-E	AV-645-D	AV-645-AC
Needle - ST ST	JGA-421-E-K	JGA-421-DEX-K	JGA-421-C-K
Tip - Hardened	AV-611-EE	AV-611-D	AV-611-AC
Needle - Hardened	JGA-402-NADEEE-K	JGA-402-NADEX-K	JGA-402-NAC-K
Tip - Carbide	AV-1415-EE-K	AV-1415-D-K	AV-1415-AC-K
Needle - Carbide	JGA-409-DEEE	JGA-409-D	JGA-409-AC

Atomisation Type = Conventional HVLP Trans-Tech





ECCO E65S Ceramic

Part no.	Pat number description	Product
8611654014	E65S_6514_G1,4_P07	Top Assembly
8611654814	E65S_6514_G1,4_07	Top Assembly
8611654818	E65S_6518_G1,8_07	Top Assembly
8611654829	E65S_P6527_P1,8_P07	Top Assembly



ECCO E40S Ceramic

Part no.	Pat number description	Designation	Product
8611400013	E40S_273_1,3_P07	Suction Tip SS Needle PA	Top Assembly
8611402018	E402S_271_1,8_P07	Gravity Tip SS Needle PA + Gravity cup	Top Assembly
8611402038	E402S_275_1,8_P07	Gravity Tip SS Needle PA + Gravity cup	Top Assembly
8611404013	E40S_T272_1,3_P07	Suction Tip SS Needle PA	Top Assembly
8611404015	E40S_T272_1,5_P07	Suction Tip SS Needle PA	Top Assembly
8611404018	E40S_T272_1,8_P07	Suction Tip SS Needle PA	Top Assembly
8611404913	E40S_T272_H1,3_H07	Suction Tip TC Needle TC	Top Assembly
8611404918	E40S_T272_H1,8_H07	Suction Tip TC Needle TC	Top Assembly
8611404921	E40S_T374_H2,1_H07	Suction Tip TC Needle TC	Top Assembly
8611404927	E40S_T474_H2,7_H07	Suction Tip TC Needle TC	Top Assembly



PRI Pro Lite Trans-Tech

Part no.	
PRILT-GPR10-YY	PRI Pro Lite Gravity, Trans-Tech, with tip/needle & air cap
PRILT-GPR10-UVY	PRI Pro Lite Gravity, Trans-Tech, with UV tip/needle, air cap and black polyester cup

PRI Pro Lite Air Cap Selection Table

Part no. XX	Tip Ø In mm				
	1.4	1.6	1.8	2.0	2.5
PRIPRO-102-PR10-K	●	●	●	●	●

PRI Pro Lite Tip And Needle Selection Table

Part no. YY	Order No - PRIPRO-...-...-K				
	1.4	1.6	1.8	2.0	2.5
Tip -Standard	220-14	220-16	220-18	220-20	220-25
Tip - UV	219-UV1/219-UV2				
Needle	320	320	320	320	320
Needle - UV	PRIPRO-319-K				

Atomisation Type = Conventional HVLP Trans-Tech

PRI Pro Lite Recommended Spares & Accessories



PRO-470
Spray Gun Repair Kit for PRI Pro Lite



GTI-428-K5
Seal & Pin Kit (Set of 5) for PRI Pro Lite



PRO-471-K
Air valve assembly PRI Pro Lite



SN-404-K
Packing spring and packing nut for PRI Pro Lite



SN-69-K
Spray head and seal kit for PRI Pro Lite



PRO-407-K
Air flow valve for PRI Pro Lite



KGP-5-K5
Filter (Pack of 5) for PRI Pro Lite



SN-66-K
Body Bushing & seal for PRI Pro Lite



GFC-501
Gravity cup kit for PRI Pro Lite



GFC-515
Black gravity cup



For spray gun air & fluid hoses see Page 114



SRI Pro Lite Trans-Tech/HVLP



Part no.

SRIPROL-HV5-YY	SRI Pro Lite Gravity, HVLP, with tip/needle & air cap
SRIPROL-TE5-YY	SRI Pro Lite Gravity, Trans-Tech, with tip/needle & air cap
SRIPROL-MC1-06	SRI Pro Lite Gravity, Trans-Tech, with tip/needle & Micro air cap

SRI Pro Lite Air Cap Selection Table

Part No.X	Tip Ø in mm				
	0.6	0.8	1.0	1.2	1.4
SRIPRO-102-HV5-K		●	●	●	●
SRIPRO-102-TE5-K		●	●	●	●
SRIPRO-102-RS1-K Round		●	●	●	●
SRIPRO-102-MC1-K Micro	●				

SRI Pro Lite Tip And Needle Selection Table

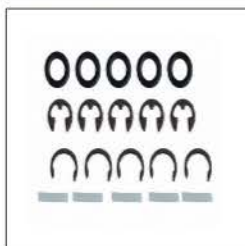
Part No. YY	Order No- SRIPRO-...-...-K				
	0.6	0.8	1.0	1.2	1.4
Tip	SRIPRO-210-06M-K	SRIPRO-200-08-K	SRIPRO-200-10-K	SRIPRO-200-12-K	SRIPRO-200-14-K
Needle	SRIPRO-310-06M-K	SRIPRO-300-08-10-K		SRIPRO-300-12-14-K	

Atomisation Type = Conventional HVLP Trans-Tech

SRI Pro Lite Recommended Spares & Accessories



PRO-415-1
Spray Gun Repair Kit for SRI Pro Lite



GTI-428-K5
Seal & Pin Kit (Set of 5) for SRI Pro Lite



SN-402-K
Air Valve Assembly for SRI Pro Lite



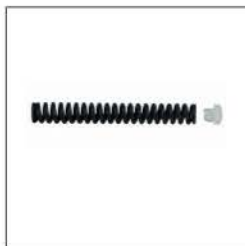
SN-404-K
Packing Spring and Nut for SRI Pro Lite



SN-405-K5
Stud and Screw kit for SRI Pro Lite



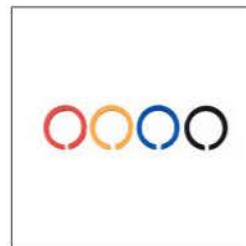
SN-6-K
Body Bushing and Seal for SRI Pro Lite



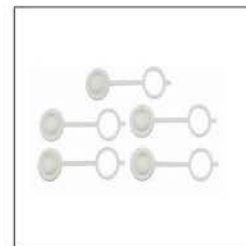
SN-423-K3
Spring & pad kit for SRI Pro Lite



PRO-408-K
Air Flow Valve for SRI Pro Lite



SN-26-K4
Colour ID ring kit (4 colours) for SRI Pro Lite



GFC-2-K5
Drip check lid (kit of 5) for SRI Pro Lite



SRI-510
Gravity Cup for SRI Pro Lite





FLG-5 Trans-tech

Part no.	
FLG-P5-14	FLG-5 Pressure, Trans-Tech, with air cap no 622 and 1.4mm fluid needle
FLG-G5-14	FLG-5 Gravity, Trans-Tech, with 0.6l gravity cup, air cap no 5 and 1.4mm fluid needle
FLG-G5-18	FLG-5 Gravity, Trans-Tech, with 0.6l gravity cup, air cap no 5 and 1.8mm fluid needle
FLG-S5-18	FLG-5 Suction, Trans-Tech, with 1l suction cup, air cap no 5 and 1.8mm fluid needle

Air Cap Selection Table

Part no.	Tip Ø In mm		
	1.4	1.8	2.0
FLG-1-622-K	P		
FLG-1-5-K	G	GS	G

Tip And Needle Selection Table

Part no.	1.4	1.8	2.0
Tip	SGK-12-14-K	SGK-14-18-K	SGK-12-20-K
Needle	SGK-402-14-K - Pressure	SGK-418 -K- Gravity	SGK-420-K - Gravity
	SGK-414-K - Gravity	SGK-430-18-K - Suction	

Atomisation Type = Conventional HVLP Trans-Tech

FLG-5 Recommended Spares & Accessories



K-5044
Replacement seal, air distributing ring and seal ring FLG-5 P



K-5032
Replacement air distributing ring kit for FLG-5 P



K-5040
Seal & air distributing ring kit for FLG-5 G S



K-5030
Air distributing ring kit for FLG-5 G S



GFC-501
Gravity cup kit for FLG-5 G



KGP-5-K5 -
Filter (Pack of 5) for FLG-5 G



GFC-402 -
Lid Assembly for FLG-5 G



K-5370 -
Needle Packing for FLG-5 P G S



HAV-501-
In-line Air Adjusting for FLG-5 P G S



KK-4584
Professional spray gun cleaning kit for FLG-5 P G S



CSpray Conventional

Part no.	
ADV-PCDT-10	CSpray Pressure, Conventional, with a 1.0mm ST ST tip/needle & CDT air cap
ADV-PCDT-12	CSpray Pressure, Conventional, with a 1.2mm ST ST tip/needle & CDT air cap
ADV-PCDT-14	CSpray Pressure, Conventional, with a 1.4mm ST ST tip/needle & CDT air cap
ADV-PCDT-16	CSpray Pressure, Conventional, with a 1.6mm ST ST tip/needle & CDT air cap
ADV-GCDTG-10	CSpray Gravity, Conventional, with a 1.0mm ST ST tip/needle & CDT air cap
ADV-GCDTG-12	CSpray Gravity, Conventional, with a 1.2mm ST ST tip/needle & CDT air cap
ADV-GCDTG-14	CSpray Gravity, Conventional, with a 1.4mm ST ST tip/needle & CDT air cap
ADV-GCDTG-16	CSpray Gravity, Conventional, with a 1.6mm ST ST tip/needle & CDT air cap

2100 VT Conventional

Part no.	
2101-4909-5	2100 Pressure spray gun, conventional with 67VT tungsten carbide nozzle / needle and 67PB air cap

JJ Gun Trans-Tech

Part no.	
JJ-205-1.0-P	JJ Pressure spray gun, Trans Tech with 205 air cap and 1.0mm nozzle
JJ-243-1.3-G	JJ Gravity spray gun, Trans Tech with 243 air cap and 1.3mm nozzle
JJ-243-1.3-S	JJ Suction spray gun, Trans Tech with 243 air cap and 1.3mm nozzle

SLG-650 Compliant/HVLP Spray Gun Kit

Part no.	
SLG-650	General Purpose Trans-Tech gravity spray gun with 0.6l cup and 1.3mm tip/needle, HVLP Touch Up spray gun with 0.25l cup and 1.0mm tip/needle. The kit is supplied in a case complete with additional 1.8mm tip/needle, cleaning brushes, wrench and air adjusting valve with gauge



DAGR Airbrush

Part no.	
DGR-501G-35	DAGR gravity airbrush - 0.35mm - 9cc cup/lid
DGR-604G-35,	Kits include compressor and other accessories.
DGR-603,	Kits include compressor and other accessories.
DGR-518-1	Kits include compressor and other accessories.
DGR-123	3m (10') braided nylon air hose with 1/4" swivel connections
DGR-121K	Repair kit - O-rings, needle spring and washers

HAV-501 In-Line Air Adjusting Valve

Part no.	
HAV-501-B	In-line air adjusting valve

Atomisation Type = Conventional HVLP Trans-Tech

AG-361 Trans-Tech/HVLP



Part no.	
AG361-TEXX-YY	AG-361 Automatic gun, Trans-Tech, with ST ST tip/needle & air cap
AG361-TEXX-YYN	AG-361 Automatic gun, Trans-Tech, with Hardened tip/needle & air cap
AG361-HVXX-YY	AG-361 Automatic gun, HVLP, with ST ST tip/needle & air cap
AG361-HVXX-YYN	AG-361 Automatic gun, HVLP, with Hardened tip/needle & air cap

AG-361 Conventional

Part no.	
AG361-CX-YY	AG-361 Automatic gun, Conventional atomisation, with ST ST tip/needle & air cap
AG361-CX-YYN	AG-361 Automatic gun, Conventional atomisation, with ST ST tip/needle & air cap

Atomisation Type = Conventional HVLP Trans-Tech

Air Cap Selection Table

Part no. XX	0.85	1.0	1.2	1.4	1.6	1.8	2.0	2.2
PROC-120-C1-K	●	●	●	●	●	●		
PROC-120-C2-K	●	●	●	●	●	●		
PROC-120-C3-K	●	●	●	●	●	●		
PRO-100-HV30-K	●	●	●	●	●	●	●	●
PRO-100-TE10-K	●	●	●	●	●	●	●	●
PRO-100-TE20-K	●	●	●	●	●	●	●	●
PRO-100-TE30-K	●	●	●	●	●	●	●	●
PRO-100-TE40-K	●	●	●	●	●	●	●	●
PRO-100-TE50-K	●	●	●	●	●	●	●	●

Tip And Needle Selection Table

Part no. YY	Order No							
	0.85	1.0	1.2	1.4	1.6	1.8	2.0	2.2
Tip(SS) - TT/HVLP	PRO-205-085-K	PRO-205-10-K	PRO-205-12-K	PRO-205-14-K	PRO-205-16-K	PRO-205-18-K	PRO-205-20-K	PRO-205-22-K
Tip(SS) - Conv	PROC-215-085-K	PROC-215-10-K	PROC-215-12-K	PROC-215-14-K	PROC-215-16-K	PROC-215-18-K		
Hardened Tip - TT/HVLP		PRO-205N-10-K		PRO-205N-14-K		PRO-205N-18-K		PRO-205N-22-K

Part no. YY	Order No							
	0.85	1.0	1.2	1.4	1.6	1.8	2.0	2.2
Needle (SS)	SPA-361-085-10-K		SPA-361-12-14-K		SPA-361-16-18-K		SPA-361-20-22-K	
Hardened Needle - TT/HVLP	SPA-361N-085-10-K		SPA-361N-12-14-K		SPA-361N-16-18-K		SPA-361N-20-22-K	

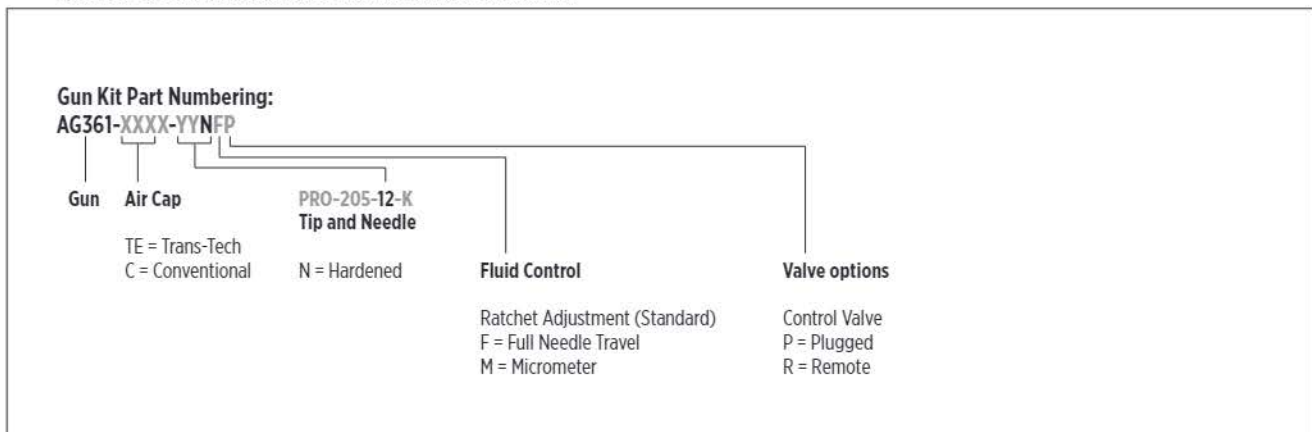
Variations of the AG361 are available with the following fluid control modifications

Ratchet Adjustment = Standard

F = Full Needle Travel

M = Micrometer

Please refer to the service bulletin for the part numbers for these combinations.



AG-361 Recommended Spares & Accessories



SPA-414-K
Control Valve for AG-361- Ref 17



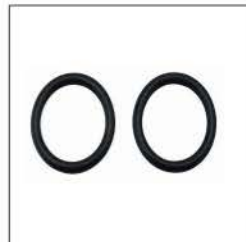
SPA-159-K
Needle Packing for AG-361 -
Ref 11a



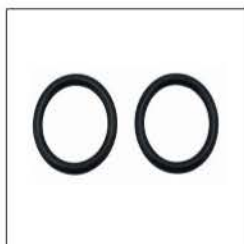
SN-69-K
Spray head and Pin Assembly
for AG-361 - Ref 5a



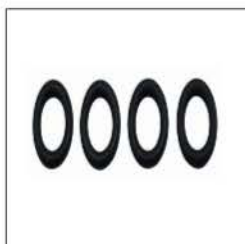
SPA-6X-K
Piston and gasket for AG-361
-Ref 18



S-28225X-K2
O-ring (Kit of 2) for AG-361-
Ref 20



S-28220X-K2
O-ring (Kit of 2) for AG-361
-Ref 19



S-28219X-K4
O-ring (Kit of 4) for AG-361
-Ref 21



PRO-405-K
Retaining ring sub assembly for
AG-361 - Ref 2



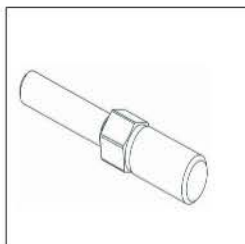
SPA-417-K
Micrometer needle adjustment
assembly for AG-361



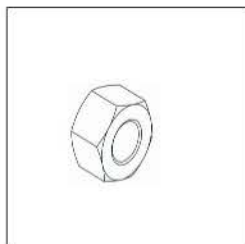
SPA-167-K
Fixed needle position end cap
for AG-361



SPA-22-K2
Remote air controller for AG-361
- Ref 17



AGGS-33
Mounting Bar for AG-361



SS-659-CD
Mounting Bar Nut for AG-361



For air regulators see
page 120 for details



For fluid regulators see page
116 for details



AG-361E Ceramic Conventional

Part no.	
AG361E-CXX-YY	AG361E Automatic gun, Conventional atomisation, with ST ST tip/needle & air cap
AG361E-CXX-YYN	AG361E Automatic gun, Conventional atomisation, with Hardened tip/needle & air cap
AG361E-CXX-YYC	AG361E Automatic gun, Conventional atomisation, with Tungsten Carbide tip/needle & air cap

Atomisation Type = Conventional HVLV Trans-Tech

Air Cap Selection Table

Part no. XX	1.4	1.8	2.2	2.8
PROC-120-C62-K				•
PROC-120-C64-K			•	
PROC-120-C67-K	•	•		

Tip And Needle Selection Table

Part no. YY	Order No			
	1.4	1.8	2.2	2.8
Tip(SS)	PRO-250-14-K	PRO-250-18-K	PRO-250-22-K	PRO-250-28-K
Hardened Tip	PRO-250N-14-K	PRO-250N-18-K	PRO-250N-22-K	PRO-250N-28-K
Tungsten Tip		PRO-250C-18	PRO-250C-22	PRO-250C-28

Part no. YY	Order No			
	1.4	1.8	2.2	2.8
Needle (SS)		SPA-360-18-22-K		SPA-360-28-K
Hardened Needle		SPA-360N-18-22-K		SPA-360N-28-K
Tungsten Needle		SPA-360C-18-22		SPA-360C-28

AG-361E Recommended Spares & Accessories



SPA-414-K
Control Valve for AG-361E - Ref 17



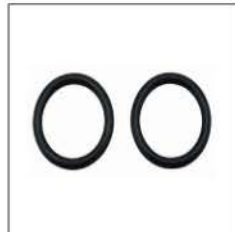
SPA-420-K
Needle Packing for AG-361E - Ref 11b



SPA-6X-K
Piston and Gasket for AG-361E - Ref 18



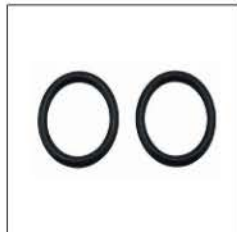
SPA-22-K2
Remote air controller for AG-361E - Ref 17



S-28225X-K2
Gasket (Pack of 2) for AG-361E - Ref 20



PRO-405-K
Retaining ring sub assembly for AG-361E - Ref 2



S-28220X-K2
Gasket (Pack of 2) for AG-361E - Ref 19



SPA-415-K
Rear Housing Assembly - Ref 24



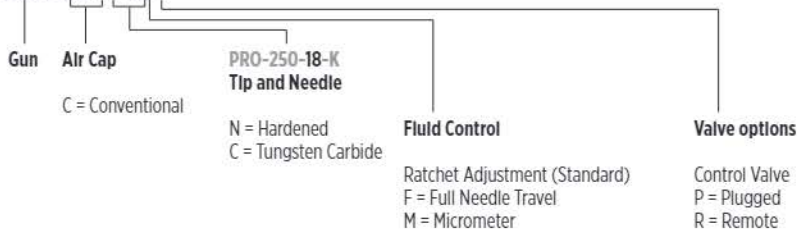
SPA-417-K
Micrometer needle adjustment assembly for AG-361E



SPA-167-K
Fixed needle position end cap assembly for AG-361E

Gun Kit Part Numbering:

AG361E-CXX-YYNFP



Variations of the AG361E are available with the following modifications

Ratchet Adjustment = Standard
F = Full Needle Travel
M = Micrometer

Please refer to the service bulletin for the part numbers for these combinations.



AG-362 Trans-Tech/HVLP

Part no.

AG362-TEXX-YY-L	AG-362 Automatic gun, with lever manifold, Trans-Tech, with ST ST tip/needle & air cap
AG362-TEXX-YY-S	AG-362 Automatic gun, with screw manifold, Trans-Tech, with ST ST tip/needle & air cap
AG362-HVXX-YY-L	AG-362 Automatic gun, with lever manifold, HVLP, with ST ST tip/needle & air cap
AG362-HVXX-YY-S	AG-362 Automatic gun, with screw manifold HVLP, with ST ST tip/needle & air cap

AG-362 Conventional

Part no.

AG362-CX-YY-L	AG-362 Automatic gun, with lever manifold, Conventional atomisation, with ST ST tip/needle & air cap
AG362-CX-YY-S	AG-362 Automatic gun, with screw manifold, Conventional atomisation, with ST ST tip/needle & air cap

Atomisation Type = Conventional HVLP Trans-Tech

Air Cap Selection Table

Part no. XX	0.85	1.0	1.2	1.4	1.6	1.8	2.0	2.2
PROC-120-C1-K	●	●	●	●	●	●		
PROC-120-C2-K	●	●	●	●	●	●		
PROC-120-C3-K	●	●	●	●	●	●		
PRO-100-HV30-K	●	●	●	●	●	●	●	●
PRO-100-TE10-K	●	●	●	●	●	●	●	●
PRO-100-TE20-K	●	●	●	●	●	●	●	●
PRO-100-TE30-K	●	●	●	●	●	●	●	●
PRO-100-TE40-K	●	●	●	●	●	●	●	●
PRO-100-TE50-K	●	●	●	●	●	●	●	●

Tip And Needle Selection Table

Part no. YY	Order No							
	0.85	1.0	1.2	1.4	1.6	1.8	2.0	2.2
Tip - Conv (SS)	PROC-215-085-K	PROC-215-10-K	PROC-215-12-K	PROC-215-14-K	PROC-215-16-K	PROC-215-18-K		
Tip - TT/HVLP (SS)	PRO-205-085-K	PRO-205-10-K	PRO-205-12-K	PRO-205-14-K	PRO-205-16-K	PRO-205-18-K	PRO-205-20-K	PRO-205-22-K
Hardened Tip - TT/HVLP		PRO-205N-10-K		PRO-205N-14-K		PRO-205N-18-K		PRO-205N-22-K

Part no. YY	Order No							
	0.85	1.0	1.2	1.4	1.6	1.8	2.0	2.2
Needle (SS)	SPA-362-085-10-K		SPA-362-12-14-K		SPA-362-16-18-K		SPA-362-20-22-K	
Hardened Needle - TT/HVLP	SPA-362N-085-10-K		SPA-362N-12-14-K		SPA-362N-16-18-K		SPA-362N-20-22-K	

Gun Kit Part Numbering:

AG362U-XXXX-YYN-LFP

Gun

Air cap

TE = Trans-Tech
C = Conventional
HV = HVLP

Gun Head Fluid Passageways
Single hole head feed
U = Head recirculation

**PRO-205-12-K
Tip and Needle**
N = Hardened

Manifold Type

Gun only
L = Lever manifold
S = Screw manifold - no recirculation
T = Screw manifold - recirculation

Fluid control

Ratchet Adjustment (Standard)
F = Full Needle Travel
M = Micrometer

Valve options

Control Valve
P = Plugged

AG-362 Recommended Spares & Accessories



SPA-414-K
Control Valve for AG-362
- Ref 34



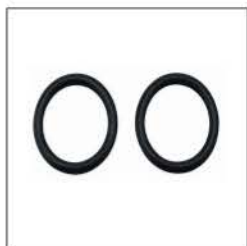
SPA-159-K
Needle Packing for AG-362
- Ref 9



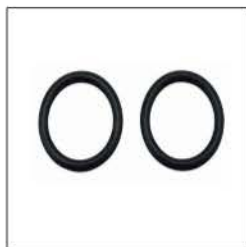
SN-69-K
Spray head and Pin Assembly
for AG-362 - Ref 5



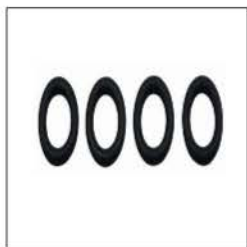
SPA-60X-K
Piston and seal kit for
AG-362 - Ref 15



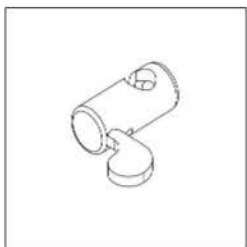
S-28225X-K2
O-ring (Kit of 2) for AG-362-
Ref 20



S-28220X-K2
O-ring (Kit of 2) for AG-362
- Ref 14



S-28219X-K4
O-ring (Kit of 4) for AG-362
- Ref 19



SPA-424-K
Locking Cam for AG-362 -
Ref 32



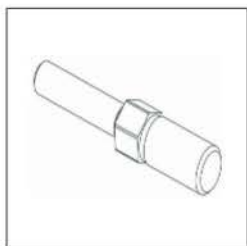
SPA-417-K
Micrometer needle adjustment
assembly for AG-362



SPA-167-K
Fixed needle position end cap
for AG-362



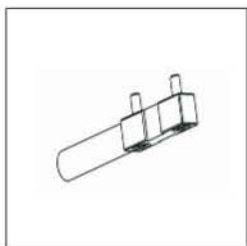
SPA-22-K2
Remote air controller for
AG-362 - Ref 34



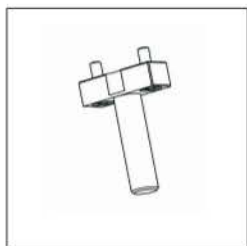
AGGS-33
Mounting Bar for AG-362



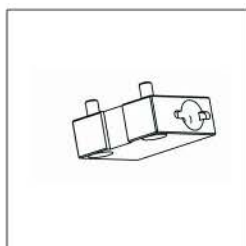
SS-659-CD
Mounting Bar Nut for AG-362



SPA-173-K
Horizontal mounting bar and
screws for AG-362



SPA-174-K
Vertical mounting bar and
screws for AG-362



SPA-175-K
Mounting block and screws for
AG-362



SPA-176-K
Index adjustment and screws
for AG-362



Variations of the AG362 are available with the following modifications

Ratchet Adjustment = Standard

F = Full Needle Travel

M - Micrometer

Manifold Type

Gun only

L = Lever manifold

S = Screw manifold - no recirculation

T = Screw manifold - recirculation

Please refer to the service bulletin for the part numbers for these combinations.



AG-362P

Part no.	
AG362P-90HV-YY-S	AG-362P Automatic gun, with screw manifold, HVLP, with ST ST tip/needle & air cap
AG362P-90HV-YY-L	AG-362P Automatic gun, with lever manifold, HVLP, with ST ST tip/needle & air cap

AG-362P Air Cap Selection Table

Part no. XXXX	Tip Ø In mm		
	0.5	0.7	1.0
CV-39-90HV	●	●	●
CV-39-90	●	●	●

Tip And Needle Selection Table

Part no. YYY	Order No		
	0.5	0.7	1.0
Tip	CV-30-H	CV-30-G	CV-30-FHV
Needle	SPA-364-05-07-K		SPA-364-10-K

Cobra 3C



Part no.	
CBA3C-XXX-YYYN	Cobra 3C, Trans Tech, with hardened tip/needle & air cap
CBA3C-XXXXX-YYYN	Cobra 3C, HVLP, with hardened tip/needle & air cap

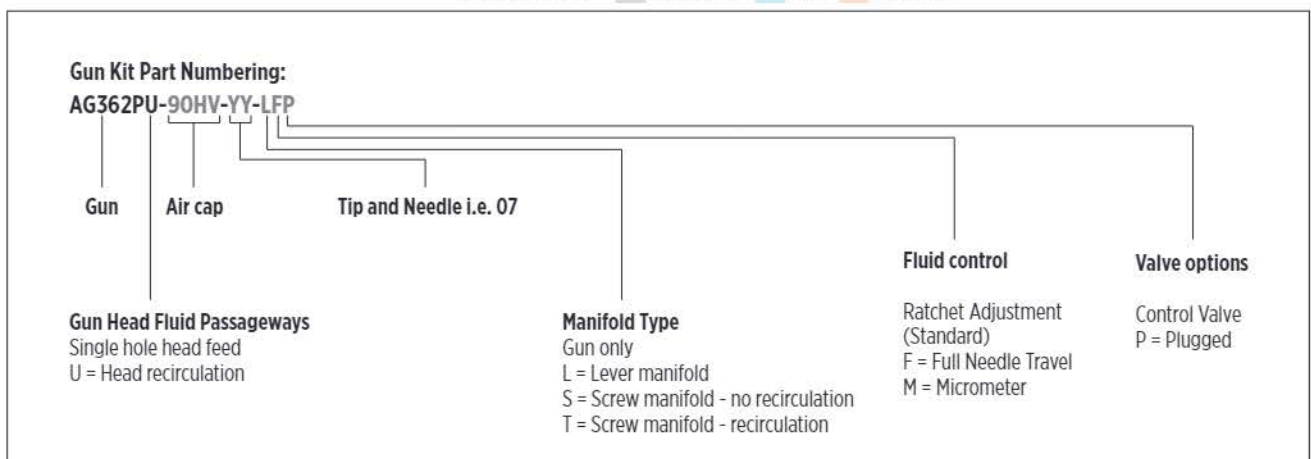
Cobra 3C Air Cap Selection Table

Part no. XXXXX	Tip Ø In mm		
	0.7	0.85	1.0
SP-100-590-ADV-K	●	●	●
SP-100-590HV-ADV-K	●	●	●

Tip And Needle Selection Table

Part no. YYY	Order No		
	0.7	0.85	1.0
Tip - Hardened	SP-259N-07	SP-259N-085-K	SP-259N-10-K
Needle - Hardened	SPA-353-07-K	SPA-353-085-K	SPA-353-10-K

Atomisation Type = Conventional HVLP Trans-Tech





AGMD Pro (Robot Mounted Automatic Spray Gun)

Part no.	
AGMDPRO-XXXX-YY	AGMD Pro Trans-Tech/HVLP with ST ST tip/needle & air cap
AGMDPROU-XXXX-YY	AGMD Pro Trans-Tech/HVLP with ST ST tip/needle & air cap with recirculation
AGMDPRO-XXXX-YYP	AGMD Pro Trans-Tech/HVLP with plastic tip/needle & air cap
AGMDPROU-XXXX-YYP	AGMD Pro Trans-Tech/HVLP with plastic tip/needle & air cap with recirculation
AGMDPRO-V40-YY	AGMD Pro Trans-Tech/HVLP with vortex tip/needle & air cap
AGMDPROU-V40-YY	AGMD Pro Trans-Tech/HVLP with vortex tip/needle & air cap with recirculation
AGMDPROG-TE20-YY	AGMD Pro Trans-Tech/HVLP Gravity with ST ST tip/needle & air cap
AGMDPROC-C797-YY	AGMD Pro Conventional with ST ST tip/needle & air cap
AGMDPROCU-C797-YY	AGMD Pro Conventional with ST ST tip/needle & air cap with recirculation
AGMDPROC-C797-YYP	AGMD Pro Conventional with plastic tip/needle & air cap
AGMDPROCU-C797-YYP	AGMD Pro Conventional with plastic tip/needle & air cap with recirculation
AGMDPRO-402-K	Standard Intermediate Plate - with removable location pin
AGMDPRO-403-K	Standard Machine Mount base Assembly

AGMD Pro Air Cap Selection Table

ET10.40	Tip Ø In mm								
	0.5	0.7	0.85	1.0	1.1	1.2	1.4	1.6	1.8
AGMDPRO-102-C797C-K	●	●			●	●	●	●	●
AGMDPRO-102-C3C-K			●	●		●	●	●	●
AGMDPRO-102-HV30C-K			●	●		●	●	●	●
AGMDPRO-102-TE20C-K*								●	●
AGMDPRO-102-TE30C-K			●	●		●	●	●	●
AGMDPRO-102-TE40C-K			●	●		●	●	●	●
AGMDPRO-102-TE50C-K			●	●		●	●	●	●
AGMDPRO-102-R40-K			●	●		●	●	●	●
PRO-100-V40-K						●	●	●	●
AGMDPRO-102-TE40SC-K			●	●		●	●	●	●

*For use with AGMD Pro Gravity only

Tip and Needle Selection Table

Part no. YY	Order No. PRO-								
	0.5	0.7	0.85	1.0	1.1	1.2	1.4	1.6	1.8
Tip - ST ST Conventional	245-05-K	245-07-K			245-11-K		245-14-K		
Tip - ST ST Trans-Tech			205-085-K	205-10-K		205-12-K	205-14-K	205-16-K	205-18-K
Tip - Hardened Trans-Tech			205N-085K	205N-10-K		205N-12-K	205N-14-K	205N-16-K	205N-18-K
Tip - Vortex Trans-Tech						205V-12-K	205V-14-K		205V-18-K

Part no. YY	Order No. AGMDPRO-								
	0.5	0.7	0.85	1.0	1.1	1.2	1.4	1.6	1.8
Needle - ST ST Conventional	301-05-07-K				301-085-10-K	301-12-14-K			
Needle - ST ST Trans-Tech			301-085-10-K			301-12-14-K		301-16-18-K	
Needle - Hardened			301N-085-10-K			301N-12-14-K		301N-16-18-K	
Needle - Plastic Tip Conventional	301P-05-07-K				301P-085-10-K	301P-12-14-K			
Needle - Plastic Tip Trans-Tech			301P-085-10-K			301P-12-14-K			

Atomisation Type = Conventional HVLP Trans-Tech

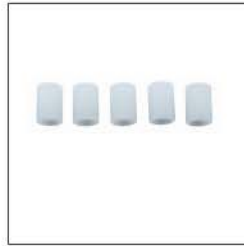
AGMD Pro Recommended Spares & Accessories



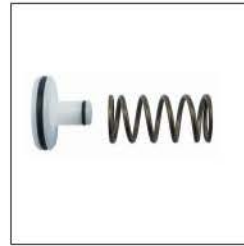
AGMDPRO-402-K
Standard Intermediate Plate for AGMD Pro



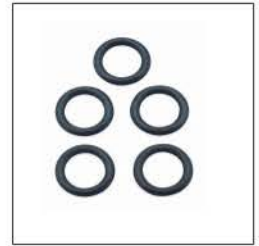
AGMDPRO-403-K
Standard Machine Mount Base Assembly for AGMD Pro



AGMDPRO-8-K5
Packing Kit of 5 for AGMD Pro - Ref 14



AGMDPRO-404-K
Piston Assembly for AGMD Pro Ref 19



AGMDPRO-29X-K5
O-ring Kit of 5 for AGMD Pro Ref 12



AGMDPRO-408-K
Retaining Ring & Seals for AGMD Pro Ref 2



AGMDPRO-406-K
Cam Kit for AGMD Pro Ref 16 & 17



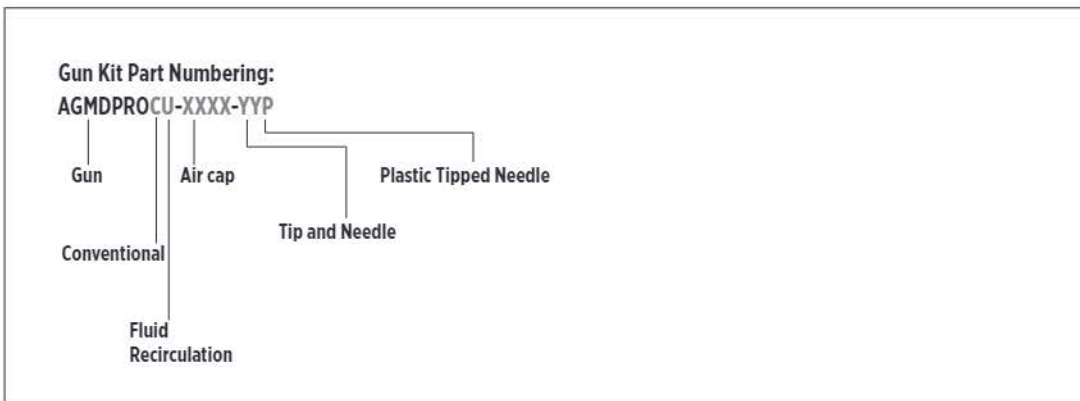
AGMDPRO-13-K
End Cap for AGMD Pro



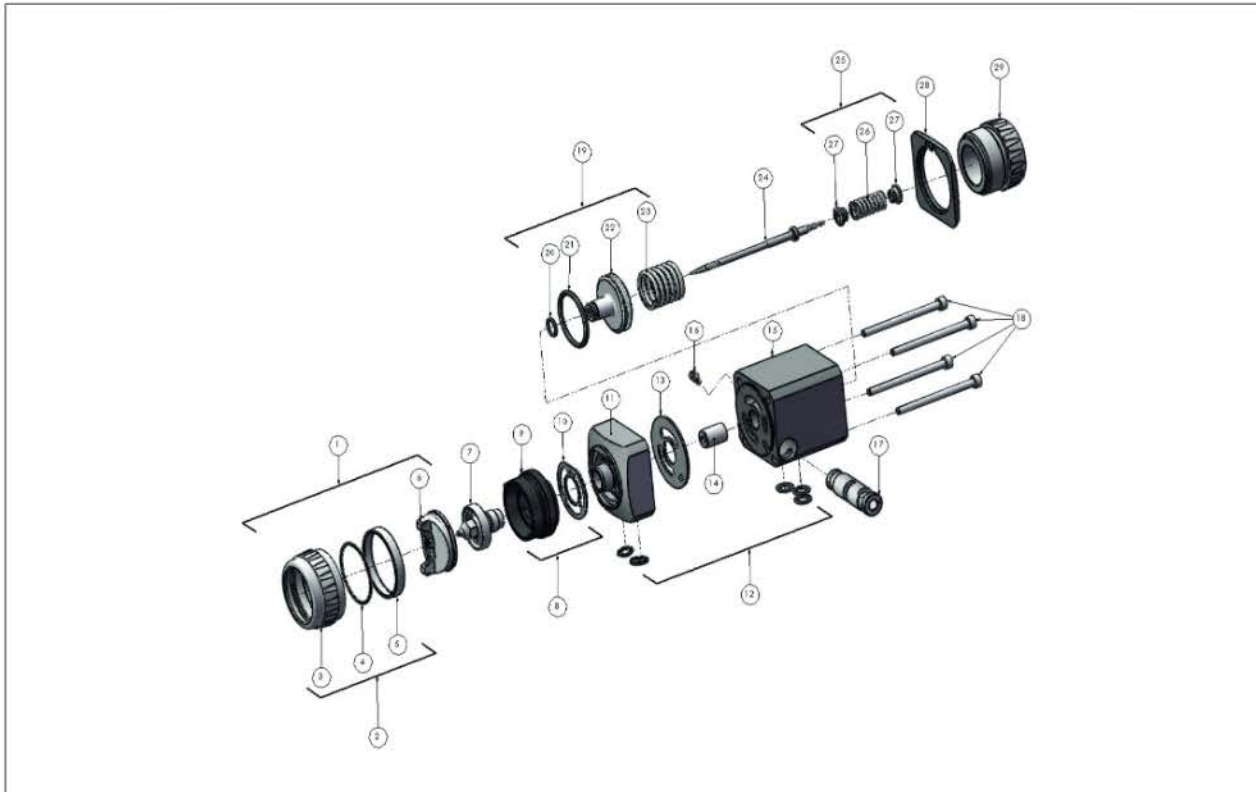
AGMDPRO-405-K
Needle Spring Assembly for AGMD Pro Ref 25



AGMDPRO-9-K2
Head Gasket for AGMD Pro Ref 13



AGMD Pro, Trans-Tech

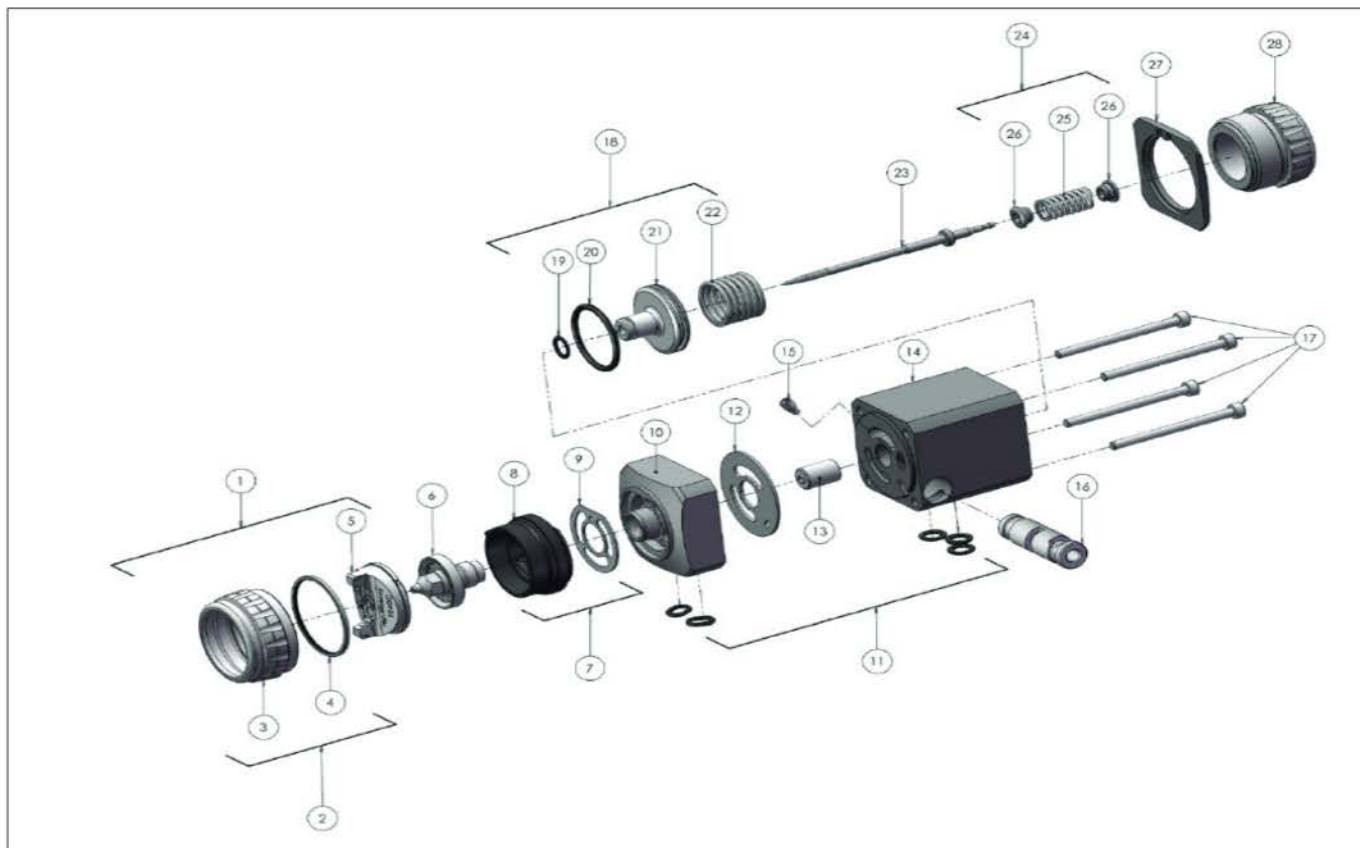


Spare Parts

Ref.	Part no.	Description
1	AGMDPRO-102-TEXXC-K	Air cap and Retaining Ring See Table
2	AGMDPRO-408-K	Retaining Ring and Seals
3		Retaining Ring
4		Shim
5		Retaining Ring Seal
6		Air Cap
7		Fluid Tip See Table
8	AGMDPRO-11-1-K	Indexing Head Assembly
9		Index Spray Head
10	SN-98-K2	Spray Head Gasket
11	AGMDPRO-1-1-K	Head
	AGMDPRO-1-1-U-K	Head - Recirculation
12	AGMDPRO-29X-K5	O-ring, Kit of 5
13	AGMDPRO-9-K2	Head Gasket
14	AGMDPRO-8-K5	Packing, Kit of 5
15		Body
16		Retaining Screw
17		Cam
18	AGMDPRO-10-K4	Cap Head Screws (Kit of 4)
19	AGMDPRO-404-K	Piston Assembly
20		O-ring
21		O-ring
22		Piston
23		Piston Spring
24		Fluid Needle See Table
25	AGMDPRO-405-K	Needle Spring Assembly
26		Needle Spring
27		Spring Button

Ref.	Part no.	Description
28	AGMDPRO-12-K	End Plate
29	AGMDPRO-13-K	End Cap
	AGMDPRO-406-K	Cam Kit (Ref 16 & 17)

AGMD Pro, Conventional



Spare Parts

Ref.	Part no.	Description
1	AGMDPRO-102-C797C-K	Air cap and Retaining Ring
2	AGMDPRO-408-K	Retaining Ring and Seals
3		Retaining Ring
4		Retaining Ring Seal
5		Air Cap
6		Fluid Tip See Table
7	AGMDPRO-11-1-K	Indexing Head Assembly
8		Index Spray Head
9	SN-98-K2	Spray Head Gasket
10	AGMDPRO-1-1-K	Head
	AGMDPRO-1-1-U-K	Head - Recirculation
11	AGMDPRO-29X-K5	O-ring, Kit of 5
12	AGMDPRO-9-K2	Head Gasket
13	AGMDPRO-8-K5	Packing, Kit of 5
14		Body
15		Retaining Screw
16		Cam
17	AGMDPRO-10-K4	Cap Head Screws (Kit of 4)
18	AGMDPRO-404-K	Piston Assembly
19		O-ring
20		O-ring
21		Piston
22		Piston Spring
23		Fluid Needle See Table

Ref.	Part no.	Description
24	AGMDPRO-405-K	Needle Spring Assembly
25		Needle Spring
26		Spring Button
27	AGMDPRO-12-GR	End Plate
28	AGMDPRO-13-K	End Cap
	AGMDPRO-406-K	Cam Kit (Ref 15 & 16)



ECCO E60AS

Part no.	Pat number description	Product
8611616062	E60AS_T278_1,1_HA001	Top Assembly
8611616063	E60AS_T272L_1,3_A01	Top Assembly
8611616064	E60AS_T274_1,8_A01	Top Assembly
8611616065	"E60AS_T272_B0,8_HA001	Top Assembly
8611616067	E60AS_T272_1,5_A01	Top Assembly
8611616077	E60AS_T274_1,1_HA001	Top Assembly
8611616082	ECCO 60AS_T272 BRASS_1,8_A01	Top Assembly
8611616083	E60AS_T260_1,5_HA01_FANW_RE	Top Assembly
8611616090	E60ASH_T272_H1,3_HA01	Top Assembly
8611616122	E60AS/T260/H1,3/HA01	Top Assembly
8611616124	ECCO60AS/T260POM/1,3/HA01	Top Assembly
8611606327	E60AS_T474_H2,7_HA04	Top Assembly
8611616012	E60AS_170G_1,2_A01	Top Assembly



ECCO E65AS

Part no.	Pat number description	Product
8611656014	E65AS_6514_G1,4_A01	Top Assembly
8611656018	E65AS_6518_G1,8_A01	Top Assembly
8611656021	E65AS_6521_G2,2_A01	Top Assembly
8611656108	E65AS_6509FIX4_G0,8_HA001_PRO LEATHER	Top Assembly
8611656114	E65AS_6514FIX4_G1,4_HA01_PRO LEATHER	Top Assembly
8611656009	E65AS_6509_G0,9_HA001	Top Assembly
8611656011	E65AS_6511_G1,1_HA001	Top Assembly
8611656012	E65AS_6514_G1,2_A01	Top Assembly
8611656016	E65AS_6514_G1.6_A01	Top Assembly

ECCO E75AP

Part no.	Pat number description	Product
8611617506	E75AP_T278FIX4_F1,1C_HA00475	Top Assembly
8611617515	E75AP_T297FIX4_F1,1C_A00475	Top Assembly
8611617539	E75AP_T297_H1,8_HA0475	Top Assembly
8611617542	E75AP_T378FIX4_H2,1_HA0475	Top Assembly
8611617549	E75AP_T474FIX4_2.7_HA0475	Top Assembly
8611617561	E75AP/6509_FIX2/0,5/HA00475	Top Assembly
8611617589	E75AP_T297FIX4_F0.8C_HA00475	Top Assembly
8611617509	E75AP_T278FIX4_B0,8C_A00475	Top Assembly
8611617512	E75AP_T278FIX4_G1.8C_A0475	Top Assembly
8611617520	E75AP_T297FIX4_F1,4C_HA0475	Top Assembly



ECCO E40DA

Part no.	Pat number description	Product
8611521021	E40DA_T260SS_1,1	Top Assembly
8611521025	E40DA_T272_1,3	Top Assembly
8611521026	E40DA_T272_1,5_FIMO	Top Assembly
8611521041	ECCO 40DA/H2,1/T374MSG	Top Assembly
8611521065	E40DA_T474_H2,7	Top Assembly
8611521066	E40DA_T274_1,8	Top Assembly
8611521071	E40DA_T274_H1,8	Top Assembly
8611521074	E40DA_T272G_1,8	Top Assembly
8611521075	E40DA_T272_H1,8	Top Assembly
8611521092	E40DA_T272_1,1	Top Assembly



ECCO 41FA

Part no.	Pat number description	Product
8611534113	ECCO 41FA H1.3 T274	Spare Parts
8611534118	ECCO 41FA H1.8 T274	Spare Parts
8611534132	ECCO 41FA 1.3 T260 SS	Spare Parts
8611534119	ECCO 41FA H1,8 T278SS	Spare Parts
8611534121	ECCO 41FA H2,1 T374	Spare Parts



460 Conventional

Part no.	Product
103027	460 Automatic gun, Conventional

Atomisation Type = Conventional HVLP Trans-Tech

Air Cap Selection Table

Part no.	Tip Ø in mm			
	0.5	0.75	1.0	1.5
200831 J92S			•	
200833 J92P	•	•	•	
200834 J92R		•	•	
200838 K92P		•		•

Tip and needle selection table

Part no.	Part no. Stainless steel	
0.5 mm	Tip	200360
	Needle	180086-K
0.75 mm	Tip	200361
	Needle	180086-K
1.0 mm	Tip	200362
	Needle	180086-K
1.5 mm	Tip	200363
	Needle	180087

550 Airless



Part no.

6700-0000-5 550 Airless automatic gun, (please order tip separately - refer to table below)

Standard Tip Selection Table

Fan width - Inches	6-8"	8-10"	10-12"	12-14"	14-16"	16-18"	18-20"
Orifice - Inches	Part no.						
.011	-	9-1170	9-1180	-	-	-	-
.013	-	-	9-1360	9-1380	-	-	-
.015	-	9-1550	9-1560	-	9-1590	-	-
.018	-	-	9-1840	9-1860	-	9-1890	-
.021	-	-	9-2140	-	-	9-2180	9-2190
.023	-	-	9-2340	-	-	-	-
.026	-	-	-	9-2650	-	-	-
.031	9-3120	-	-	9-3140	-	-	9-3180
.036	9-3620	-	-	9-3640	-	9-3660	9-3680
.043	-	-	-	9-4340	-	-	9-4380
.062	-	9-6230	-	-	-	-	-

Twist tip II selection table

Fan width - Inches	6"	8"	10"	12"
Orifice - Inches	Part no. 454-...			
-	309	-	-	-
.011	311	-	-	-
.013	313	413	513	-
.015	315	415	515	615
.017	-	417	517	617
.019	-	419	519	619
.021	-	-	521	621
.023	-	-	523	-
.035	-	-	535	-
.051	-	-	551	-

Trophy Air Assisted Airless



Part no.

4400-H10000	Trophy AA4400 with AA10 HVLP air cap, without flat tip*
4400-H20000	Trophy AA4400 with AA10+ HVLP air cap, without flat tip*
4400-HF0000	Trophy AA4400 with 9X-H+ HVLP air cap, without flat tip*
4400-LF0000	Trophy AA4400 with 9X-L LVMP air cap, without flat tip*
4400-HT0000	Trophy AA4400 with 54-5924-K Twist Tip cleaner & HVLP air cap, no tip*
4400-LT0000	Trophy AA4400 with 54-5924-K Twist Tip cleaner & LVMP air cap, no tip*
TAA4400-AA10-75-SF	Trophy AA4400 with AA10 HVLP air cap, tip and 7.5m SuperFlex Air/Fluid Hose
TAA4400-75T-SF	Trophy AA4400 with AA10 HVLP air cap, tip, Twist Tip cleaner and 7.5m SuperFlex Air/Fluid Hose

*Please order tip separately - refer to selection table below.

Atomisation Type = LVMP

Standard Flat Tips Selection Table

Size - Inches (mm)	.007(0.18)	.009(0.23)	.011(0.28)	.013(0.33)	.015(0.38)	.017(0.43)	.018 (0.46)	.019(0.48)	.021(0.53)	.024(0.61)	.027(0.69)
Fan width	Part no. RS-....										
2" 50 mm	0702	0902									
4" 100 mm	0704	0904	1104	1304							
6" 150 mm	0706	0906	1106	1306	1506	1706		1906			
8" 200 mm	0708	0908	1108	1308	1508	1708		1908			
10" 250 mm		0910	1110	1310	1510	1710		1910	2110	2410	2710
12" 300 mm		0912	1112	1312	1512	1712		1912	2112	2412	2712
14" 350 mm			1114	1314	1514	1714		1914	2114	2414	2714
16" 400 mm				1316	1516	1716	1816	1916	2116	2416	2716
18" 450 mm					1518	1718		1918	2118	2418	2718

Fine Finish Flat Tips Selection Table

Orifice - Inches/mm	.009(0.23)	.011(0.28)	.013(0.33)	.015(0.38)	.017(0.43)
Fan width - Inches/ mm	Part no. RS-XXXX-F				
9"/225mm	0909	1109	1309	1509	1709
11"/279mm	0911	1111	1311	1511	1711
13"/330mm		1113	1313	1513	1713
15"/381mm		1115	1315	1515	1715
17"/432mm				1517	1717

Twist Tips Selection Table

Orifice - Inches/mm	.007 (0.18)	.009 (0.23)	.011 (0.28)	.013 (0.33)	.015 (0.38)	.017 (0.43)	.019 (0.48)	.021 (0.53)	.023 (0.58)	.025 (0.64)	.027 (0.69)	.031 (0.79)	.035 (0.89)
Fan width - Inches/mm	Part no. 9-XXX-75												
4"/100mm			211	213	215	217							
6"/152mm	307	309	311	313	315	317							
8"/203mm		409	411	413	415	417	419	421					435
10"/254mm		509	511	513	515	517	519	521	523	525			
12"/305mm			611	613	615	617	619	621	623	625	627	631	635
14"/350mm				713	715	717							

Trophy AA4400 Recommended Spares & Accessories



54-5937
Air Valve & Fluid Needle Assembly for Trophy AA4400



54-6131-K
Spindle Seal & Seal Kit for Trophy AA4400



54-1835
Disk filter 100 mesh for Trophy AA4400



54-5924-K
Twist Tip HVLP air cap for Trophy AA4400



54-5799-K
Fluid seat (Tungsten Carbide) for Trophy AA4400



54-5890-K
Flat Tip HVLP Air cap AA-10 for Trophy AA44000



72-2360
Swivel Adaptor 1/4" M x 1/4" F for Trophy AA4400



54-6030-K
AA10 + Air Cap Assembly HVLP for Trophy AA4400



H-7507-75
7.5m Hose Assembly for Trophy AA4400



H-7507-75-SF
7.5m Hose Assembly for Trophy AA4400



TAA4400-AA10-75
Trophy Gun and 7.5m hose package supplied as standard with MXL12/12 & 12/31 pump packages



TAA4400-75T
Trophy AA4400 Gun and 7.5m hose package including twist tip cleaner



TAA4400-AA10-75-SF
Trophy AA4400 Gun and 7.5m SuperFlex hose package supplied as standard with MXL4/12 and 4/32 pump packages



TAA4400-75T-SF
Trophy AA4400 Gun and 7.5m SuperFlex hose package including twist tip cleaner



Removable Seals

Part No.	Description
RS-5000-K5	RS-Series Carbide Tip Seal Kit (5)
RS-5000-K10	RS-Series Carbide Tip Seal Kit (10)
RS-5858-K5	RS Fine Finish Pre-Orifice Seal .009" (5)
RS-5859-K5	RS Fine Finish Pre-Orifice Seal .011" (5)
RS-5860-K5	RS Fine Finish Pre-Orifice Seal .013" (5)
RS-5861-K5	RS Fine Finish Pre-Orifice Seal .015" (5)
RS-5862-K5	RS Fine Finish Pre-Orifice Seal .017" (5)



AG-363 Automatic Air Assisted Airless

Part no.

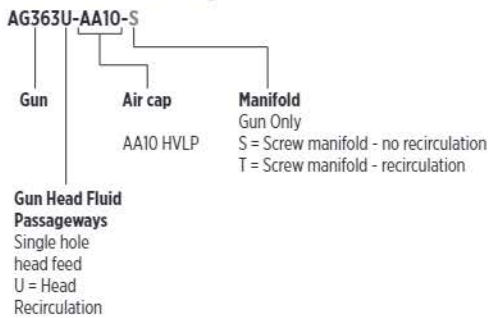
AG363U-AA10-S	AG-363 Automatic gun, head recirculation and quick release screw manifold, HVLP, with air cap AA10HP, without tip*
AG363-AA10-T	AG-363 Automatic gun, quick release screw manifold with base recirculation, HVLP, with air cap AA10HP, without tip*

*Please order tip separately - refer to selection table below. Atomisation Type = Conventional HVLP Trans-Tech

Premium Flat Tips Selection Table

Size - Inches(mm)	.007(0.18)	.009(0.23)	.011(0.28)	.013(0.33)	.015(0.38)	.017(0.43)	.019(0.48)	.021(0.53)	.024(0.61)	.027(0.69)
Fan width	Part no. 114-.....									
1-2" 25-50 mm		00902								
2-4" 50-100 mm	00704		01104	01304						
4-6" 100-150 mm	00706	00906	01106	01306	01506	01706	01906			
6-8" 150-200 mm	00708	00908	01108	01308	01508	01708	01908			
8-10" 200-250 mm		00910	01110	01310	01510	01710	01910	02110	02410	02710
10-12" 250-300 mm		00912	01112	01312	01512	01712	01912	02112	02412	02712
12-14" 300-350 mm			01114	01314	01514	01714	01914	02114	02414	02714
14-16" 350-400 mm				01316	01516	01716	01916	02116	02416	02716
16-18" 400-450 mm					01518	01718	01918	02118	02418	02718

Gun Kit Part Numbering:



Variations of the AG363 are available with the following modifications

- Gun Head Fluid Passageway
- Single hole head feed
- U = Head recirculation

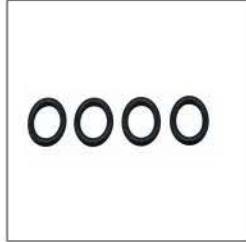
- Manifold Type
- Gun only
- S = Screw manifold - no recirculation
- T = Screw manifold - recirculation

Please refer to the service bulletin for the part numbers for these combinations.

AG-363 Recommended Spares & Accessories



54-5890-K
AA10 Air cap for AG-363



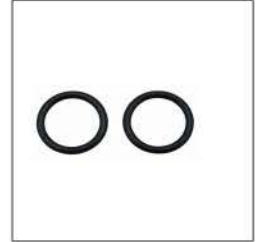
SPA-29X-K4
Viton Extreme O-rings x 4 for AG-363 - Ref 17



SPA-414-K
Control Valve for AG-363 - Ref 33



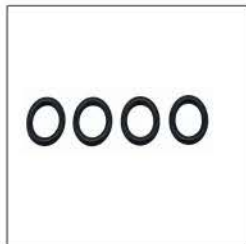
SPA-79
Fluid Needle Assembly for AG-363 - Ref 25



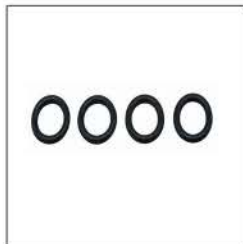
S-28220X-K2
Viton Extreme O-rings x 2 for AG-363 - Ref 16



SPA-69-K
Seat Assembly for AG363 - Ref 5



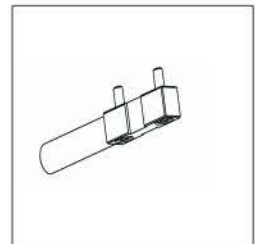
S-28219X-K4
Viton Extreme O-rings x 4 for AG-363 - Ref 14



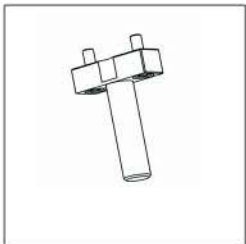
S-28223X-K4
Viton Extreme O-rings x 4 for AG-363 - Ref 19



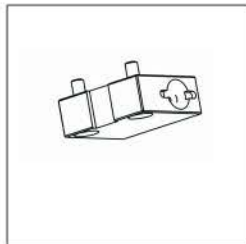
SPA-111-K2
Manual Air Valve Plugs for AG-363 - Replaces Ref 33



SPA-173-K
Horizontal mounting bar and screws for AG-363



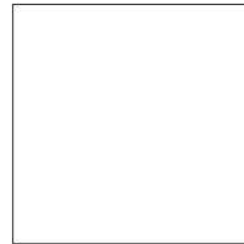
SPA-174-K
Vertical mounting bar and screws for AG-363



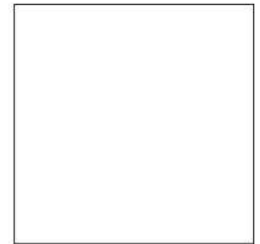
SPA-175-K
Mounting block and screws for AG-363



SPA-176-K
Index adjustment and screws for AG-363



SPA-423-K
Atomisation & fan low profile control valves



SPA-116
1/4" NPT-BSP



SPA-115
1/4" NPT-NPS Elbow 275 bar MWP



AG-364 Airless

Part no.

AG364-0000-S	AG-364 Automatic gun, with quick release screw manifold, non-recirculation, without tip*
AG364-0000-T	AG-364 Automatic gun, with quick release screw manifold with base recirculation, without tip*
AG364-BOOTH-K	AG-364 Booth Conversion Kit (see below for kit contents)

*Please order tip separately - refer to selection table below.

Atomisation Type = Conventional HVLP Trans-Tech LVMP

Standard Flat Tips Selection Table

Size - Inches (mm)	.007(0.18)	.009(0.23)	.011(0.28)	.013(0.33)	.015(0.38)	.017(0.43)	.018 (0.46)	.019(0.48)	.021(0.53)	.024(0.61)	.027(0.69)
Fan width	Part no. RS-....										
2" 50 mm	0702	0902									
4" 100 mm	0704	0904	1104	1304							
6" 150 mm	0706	0906	1106	1306	1506	1706		1906			
8" 200 mm	0708	0908	1108	1308	1508	1708		1908			
10" 250 mm		0910	1110	1310	1510	1710		1910	2110	2410	2710
12" 300 mm		0912	1112	1312	1512	1712		1912	2112	2412	2712
14" 350 mm			1114	1314	1514	1714		1914	2114	2414	2714
16" 400 mm				1316	1516	1716	1816	1916	2116	2416	2716
18" 450 mm					1518	1718		1918	2118	2418	2718

Fine Finish Flat Tips Selection Table

Orifice - Inches/mm	.009(0.23)	.011(0.28)	.013(0.33)	.015(0.38)	.017(0.43)
Fan width - Inches/mm	Part no. RS-XXXX-F				
9"/225mm	0909	1109	1309	1509	1709
11"/279mm	0911	1111	1311	1511	1711
13"/330mm		1113	1313	1513	1713
15"/381mm		1115	1315	1515	1715
17"/432mm				1517	1717

AG-364 Booth Conversion Kit

Part Number	Description	Quantity
AG364-0000-S	AG-364 Automatic Gun	4
RS-1517-F	RS Fine Finish Tip .015 X 17"	4
RS-5861-K5	RS Fine Finish Pre-Orifice Seal (.017") (5 Pack)	1
SPA-115	1/4" NPT-NPS Elbow 275 bar MWP.	4
107-1439	SS #4 J.I.C. (m) x 1/4" NPT(m)	4
DSG-4003	Airless Tip Cleaners (Kit of 12)	1
KK-4584	Spray Gun Cleaning Kit	1

Gun Kit Part Numbering:

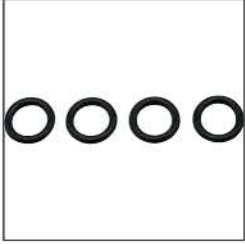
AG364-0000-S

Gun

Manifold

S = Screw manifold - no recirculation
T = Screw manifold - recirculation

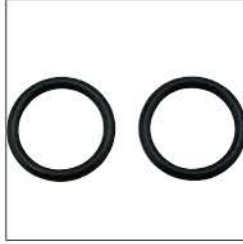
AG-364 Recommended Spares & Accessories



SPA-29X-K4
Viton Extreme O-rings x 4 for AG-364 - Ref 26



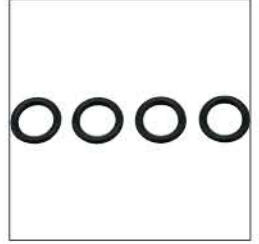
SPA-79
Fluid Needle Assembly for AG-364 - Ref 14



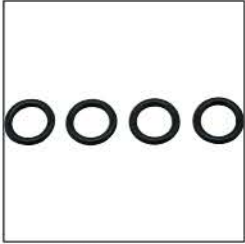
S-28220X-K2
Viton Extreme O-rings x 2 for AG-364 - Ref 11



SPA-69-K
Seat Assembly for AG363 - Ref 5



S-28219X-K4
Viton Extreme O-rings x 4 for AG-364 - Ref 9



S-28223X-K4
Viton Extreme O-rings x 4 for AG-364 - Ref 24



SPA-173-K
Horizontal mounting bar and screws for AG-364



SPA-174-K
Vertical mounting bar and screws for AG-364



SPA-175-K
Mounting block and screws for AG-364



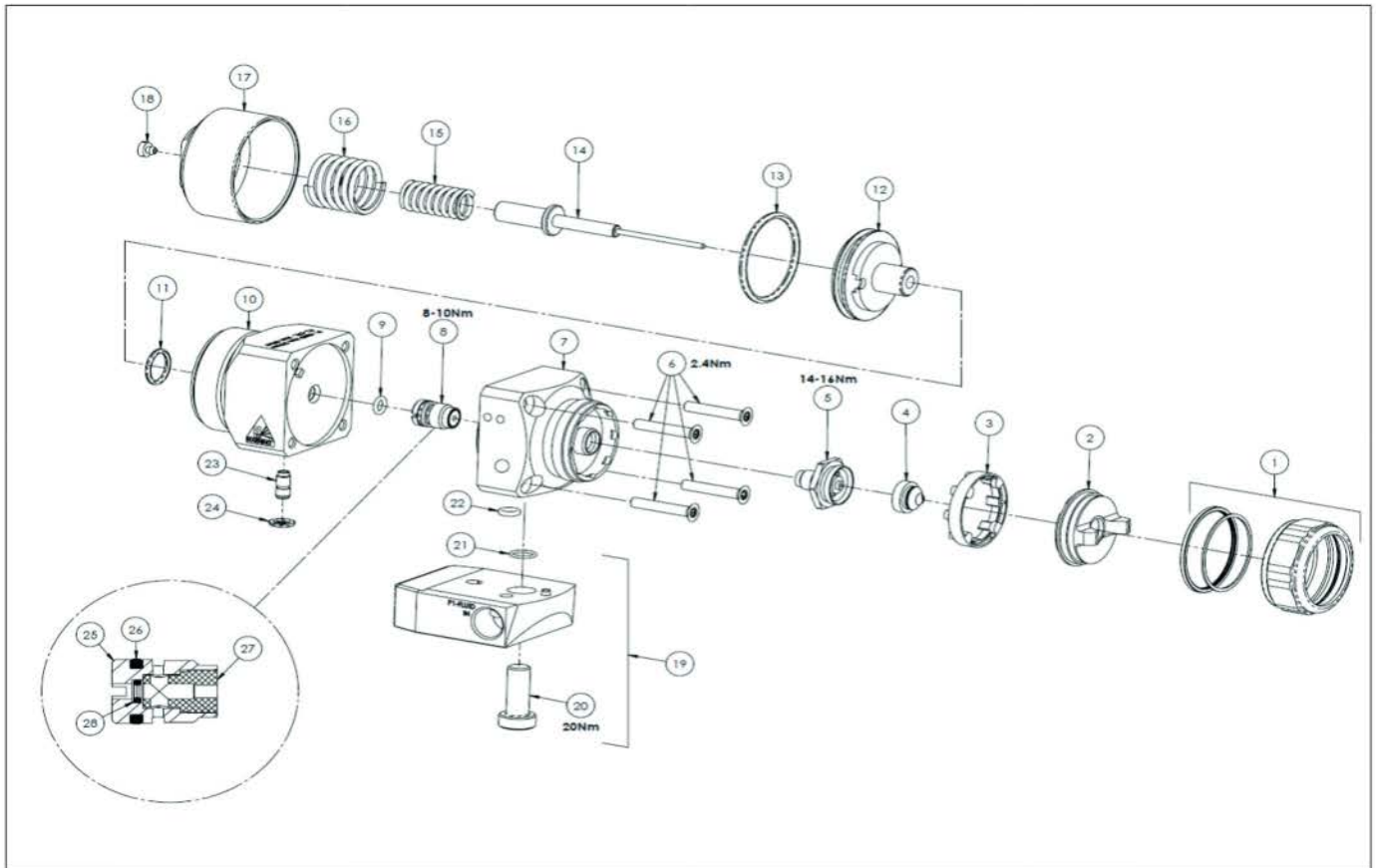
SPA-176-K
Index adjustment and screws for AG-364



Removable Seals

Part No.	Description
RS-5000-K5	RS-Series Carbide Tip Seal Kit (5)
RS-5000-K10	RS-Series Carbide Tip Seal Kit (10)
RS-5858-K5	RS Fine Finish Pre-Orifice Seal .009" (5)
RS-5859-K5	RS Fine Finish Pre-Orifice Seal .011" (5)
RS-5860-K5	RS Fine Finish Pre-Orifice Seal .013" (5)
RS-5861-K5	RS Fine Finish Pre-Orifice Seal .015" (5)
RS-5862-K5	RS Fine Finish Pre-Orifice Seal .017" (5)

AG-364 Airless



Spare Parts

Ref.	Part no.	Description
1 #	54-6029-K	Retaining Ring With Seals
2 #	54-6031-K	Tip Holder
3	SPA-70-K10	Index Plate (Kit Of 10)
4	See Table	Fluid Tip
5 #	SPA-69-K	Needle Seat Assy
6	S-14190-K4	Torx Screw (Kit Of 4)
7	SPA-190-K	Spray head
8 *#	SPA-76-K	Needle Packing
9 *	S-28219X-K4	O Ring (Kit Of 4)
10	SPA-191-K	Body
11*	S-28220X-K2	O Ring (Kit Of 2)
12 #	SPA-68-K	Piston
13 *#	SPA-45X-K2	O Ring (Kit Of 2)
14	SPA-79	Fluid Needle
15 #	SPA-77	Needle Spring
16 #	SPA-13	Piston Spring
17	SPA-67-BL-K	End Cap
18	SPA-54	Vent Cap
19	SPA-428-K	Screw Manifold Assembly
	SPA-428U-K	Recirculation Screw Manifold Assembly
20 #	SPA-161-K2	Clamping Screw (Kit Of 2)
21 #		O-Ring (Part of SPA-161-K2)
22 *	SN-71X-K2	O Ring
23 #	SPA-52	Air Tube
24	S-28223X-K4	O Ring (Kit Of 4)
25		Housing
26	SPA-29X-K4	O Ring (Kit Of 4)

Ref.	Part no.	Description
27	SPA-96-K4	Seal
28	SPA-46X-K4	O Ring (Kit Of 4)
	KK-4588	Soft Seal Service Kit - includes items marked *
	KK-4589	Major Overhaul Service Kit - Includes items marked #



A75 Airless

Part no.	
0811-7500-1	A75 Airless gun with tip guard, and external st st tube without tip*
0811-7500-2	A75 Airless gun with tip guard, and direct connect without tip*
0811-7500-3	A75 Airless gun with tip guard, and direct connect without tip* - large passage version
0811-7500-4	A75M Airless gun with tip guard, and direct connect without tip* - for thicker coatings

*Please order tip separately - refer to selection table below.

Twist Tip selection table

Fan width - Inches/mm	4" 100mm	6" 152mm	8" 203mm	10" 254mm	12" 305mm	14" 350mm
Orifice - Inches	Part no. 9-XXX-75					
.007(0.18)	-	307	-	-	-	-
.009(0.23)	-	309	409	509	-	-
.011(0.28)	211	311	411	511	611	-
.013(0.33)	213	-	413	513	613	713
.015(0.38)	215	315	415	515	615	715
.017(0.43)	217	317	-	517	617	717
.019(0.48)	-	-	419	519	619	-
.021(0.53)	-	-	421	521	621	-
.023(0.58)	-	-	-	523	623	-
.025(0.64)	-	-	-	525	-	-
.027(0.69)	-	-	-	-	627	-
.031(0.79)	-	-	-	-	631	-
.035(0.89)	-	-	435	-	635	-

A75 Recommended Spares & Accessories



72-2332
Swivel Adaptor
1/4" M x 1/4" F for A75



54-7512
Needle Assembly for A75



1108-75B
7500 psi Twist Tip Guard for A75



54-7511-K
Diffuser Nut Kit for A75



A75-1-75
A75 Gun (0811 7500-1)
with 7.5m hose and twist tip



A75-2-75
A75 Gun (0811 7500-2)
with 7.5m hose and twist tip



A75-3M-75
A75 Gun (0811 7500-3)
with 7.5m hose and twist tip



F200/F400 Flow Gun

Part no.	Material Fluid Passageways	Max Fluid Pressure	Fluid Inlet Size	I/Z Swivel*	Fluid Nozzle
FG121100	Anodised Alu.	276 Bar/4000 PSI	1/4" Uni.	-	3/8" BSP
FG121200	Anodised Alu.	276 Bar/4000 PSI	1/4" Uni.	I	3/8" BSP
FG121300	Anodised Alu.	276 Bar/4000 PSI	1/4" Uni.	Z	3/8" BSP
FG122100	Anodised Alu.	276 Bar/4000 PSI	1/4" Uni.	-	3/4" UNF
FG122200	Anodised Alu.	276 Bar/4000 PSI	1/4" Uni.	I	3/4" UNF
FG122300	Anodised Alu.	276 Bar/4000 PSI	1/4" Uni.	Z	3/4" UNF
FG123100	Anodised Alu.	276 Bar/4000 PSI	1/4" Uni.	-	M18 x 1.5
FG123200	Anodised Alu.	276 Bar/4000 PSI	1/4" Uni.	I	M18 x 1.5
FG123300	Anodised Alu.	276 Bar/4000 PSI	1/4" Uni.	Z	M18 x 1.5
FG141100	ST ST	414 Bar/6000 PSI	1/4" Uni.	-	3/8" BSP
FG141200	ST ST	414 Bar/6000 PSI	1/4" Uni.	I	3/8" BSP
FG141300	ST ST	414 Bar/6000 PSI	1/4" Uni.	Z	3/8" BSP
FG142100	ST ST	414 Bar/6000 PSI	1/4" Uni.	-	3/4" UNF
FG142200	ST ST	414 Bar/6000 PSI	1/4" Uni.	I	3/4" UNF
FG142300	ST ST	414 Bar/6000 PSI	1/4" Uni.	Z	3/4" UNF
FG143100	ST ST	414 Bar/6000 PSI	1/4" Uni.	-	M18 x 1.5
FG143200	ST ST	414 Bar/6000 PSI	1/4" Uni.	I	M18 x 1.5
FG143300	ST ST	414 Bar/6000 PSI	1/4" Uni.	Z	M18 x 1.5

* I = In-line Swivel
Z = Z Swivel



RansFlex RX LP 45kV

Part no.	
81345-X11100	RansFlex LP 45kV with air cap, tip, no air or fluid hose
81345-X11105	RansFlex LP 45kV with OD for air, air cap, tip, no air or fluid hose
81345-X11102	RansFlex LP 45kV with air cap, tip, 10m air hose, no fluid hose
81345-X11107	RansFlex LP 45kV with OD for air, air cap, tip, 10m air hose, no fluid hose
81345-X11112	RansFlex LP 45kV with air cap, tip, 10m air and fluid hose
81345-X11117	RansFlex LP 45kV with OD for air, air cap, tip, 10m air and fluid hose

RansFlex RFX LP 65kV

Part no.	
81365-X11100	RansFlex LP 65kV with air cap, tip, no air or fluid hose
81365-X11105	RansFlex LP 65kV with OD for air, air cap, tip, no air or fluid hose
81365-X11102	RansFlex LP 65kV with air cap, tip, 10m air hose, no fluid hose
81365-X11107	RansFlex LP 65kV with OD for air, air cap, tip, 10m air hose, no fluid hose
81365-X11112	RansFlex LP 65kV with air cap, tip, 10m air and fluid hose
81365-X11117	RansFlex LP 65kV with OD for air, air cap, tip, 10m air and fluid hose

Air cap Selection Table

Marking	Part No	0.7	1.0	1.2	1.4	1.8
C-31	80231-00			●	●	●
T-40	80240-00	●	●	●	●	●
V-65	80265-00	●	●	●	●	●

Fluid Tip Selection Table

Description	0.7	Colour	1.0	Colour	1.2	Colour	1.4	Colour	1.8	Colour
Tip - standard for C-31 Cap					80230-12	Red	80230-14	Grey	80230-18	Green
Tip - standard for T-40 Cap	80239-07 ¹	Black	80239-10 ¹	Black	80239-12	Red	80239-14	Grey	80239-18	Green
Tip - standard for V-65 Cap	80264-07 ¹	Black	80264-10 ¹	Black	80264-12	Red	80264-14	Grey	80264-18	Green
Tip - hardwearing for V-65 Cap							80464-14	Tan	80464-18	Tan

¹Sold as Spare Part Only

Fluid Hose Assemblies

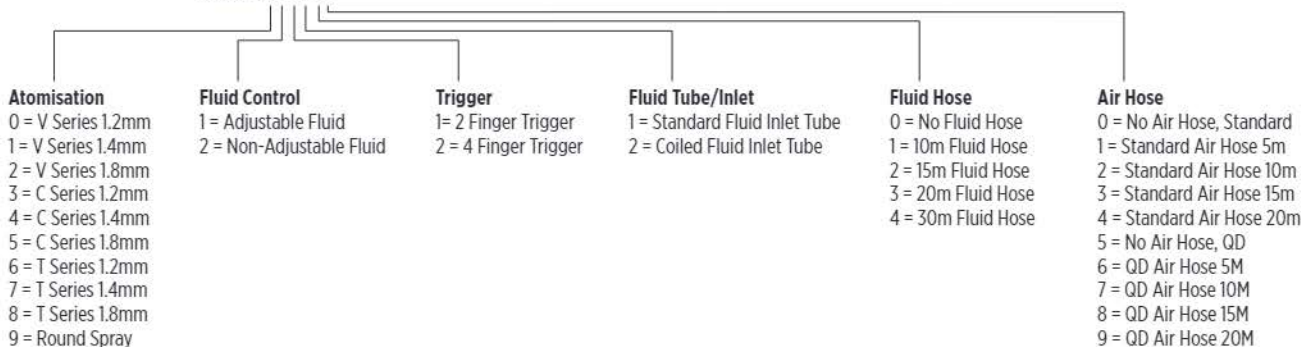
Part no.	Description
80303-05	Low Pressure Fluid hose - 5m
80303-10	Low Pressure Fluid hose - 10m
80303-15	Low Pressure Fluid hose - 15m
80303-20	Low Pressure Fluid hose - 20m
80303-30	Low Pressure Fluid hose - 30m

Air Hose Assemblies

Part no.	Description
80558-05	Low Pressure Super Flexible Air hose - 5m
80558-10	Low Pressure Super Flexible Air hose - 10m
80558-15	Low Pressure Super Flexible Air hose - 15m
80558-20	Low Pressure Super Flexible Air hose - 20m
80558-06	Low Pressure Air hose - 5m complete with QD fittings
80558-11	Low Pressure Air hose - 10m complete with QD fittings
80558-16	Low Pressure Air hose - 15m complete with QD fittings
80558-21	Low Pressure Air hose - 20m complete with QD fittings

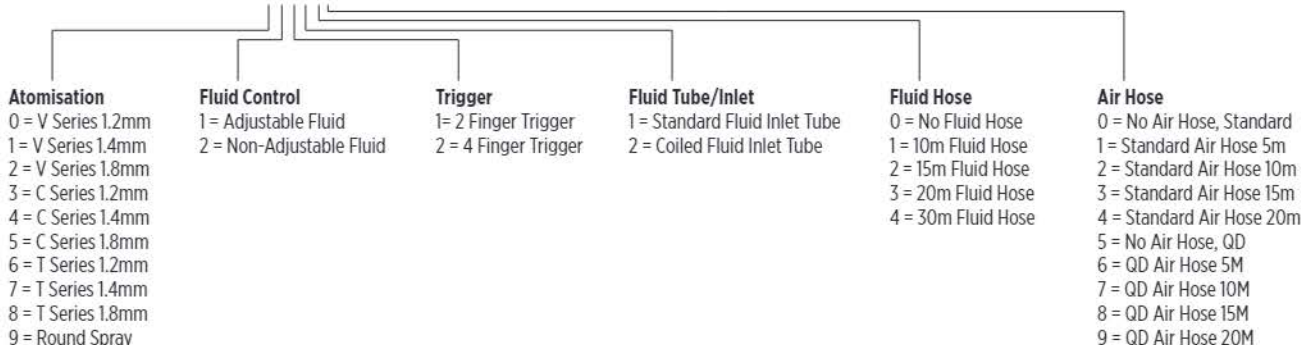
RansFlex 45kV models available:

81345-ABCDEF



RansFlex 65kV models available:

81365-ABCDEF



RansFlex Recommended Spares & Accessories



70430-01
Hi-Flex Electrode for RansFlex



80250-45
Cascade assembly for RansFlex 45kv



80250-65
Cascade assembly for RansFlex 65kv



80255-00
Turbine assembly for RansFlex



79879-03
Coiled low resistance fluid tube for RansFlex 45kV



80696-00
Handle gasket kit for RansFlex



80353-00
Gun wrench for RansFlex

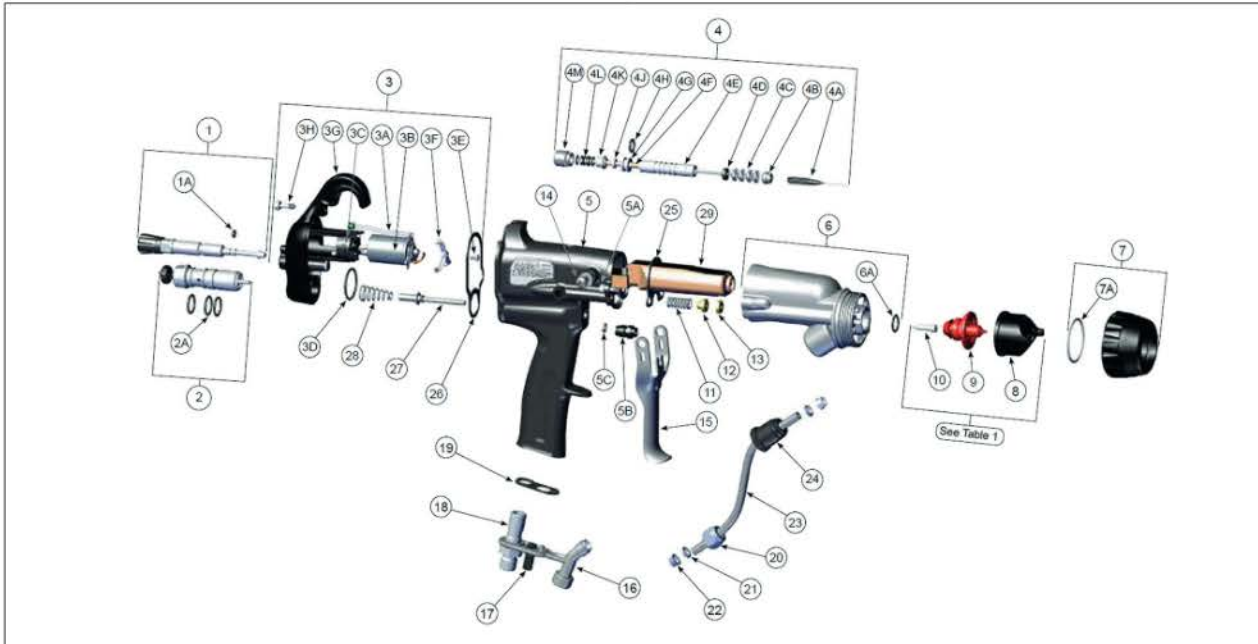


11775-10
Protection hose 30mm grey for RansFlex



11775-05
Protection hose 55mm grey for RansFlex

RansFlex



Spare Parts

Ref.	Part no.	Description
1	80273-00	Assembly, Fan Valve
1A	79001-16	O-ring, solvent-resistant
2	80262-00	Fluid Cartridge, Adjustable, Assembly
	80262-01	Fluid Cartridge, Non Adjustable Assembly
2A	79001-08	O-ring, solvent-resistant
3	80378-00	Rear Cover With Motor Assy
3A	80213-00	Light Pipe
3B	80255-00	Motor Assembly Inc Support & Screws
3C	79775-00	Mounting Block
3D	7554-61	O-ring
3E	80275-00	Screw
3F	80219-00	Bracket, Locking
3G	80254-00	Cover, Rear, Bare (Contains Screws)
3H	80274-00	Screw, Barrel-Handle
4	80263-45	Needle Shaft Assembly 45kv
	80263-65	Needle Shaft Assembly 65kv
4A	70430-01	Assembly Electrode, High Wear
	70430-01-K3	Assembly Electrode, High Wear x 3
4B	80677-00	Adaptor, Male
4C	14323-00	Seal, Chevron 3/8 Dia.
	14323-00-K4	Seal, Chevron 3/8 Dia. x 4
4D	18821-00	Adaptor, Female, Chevron
4E	80257-45	Tube, Packing RX (45kv)
	80257-65	Tube, Packing RX (65kv)
4F	80225-45	Needle Shaft Assembly RX (45kv)
	80225-65	Needle Shaft Assembly RX (45kv)
4G	79001-06	O-ring, Solvent Proof
4H	78629-00	Retainer, Needle Seal Rear
4J	10051-05	Cup Seal, Spring Loaded
4K	78630-00	Spacer, Seal
4L	17390-04	Washer, Spring, Belleville
	17390-04-K6	Washer, Spring, Belleville x 6
4M	78631-00	Nut, Packing
5	80870-00	Assembly, Handle

Ref.	Part no.	Description
5A	80274-00	Screw, Barrel-Handle
5B	80229-00	Nut, Retaining, Air Valve
5C	10051-05	Cup Seal, Spring Loaded
6	80376-00	Barrel & O-Ring Assy, RX 45kv
	80379-00	Barrel & O-Ring Assy, RFX 65kv
6A	79001-07	O-ring, solvent-resistant
7	80377-00	Nut, Retaining and O-ring Assembly
7A	LSOR0005-17	O-ring, Encapsulated
11	80258-00	Spring, Fluid Return
12	80243-00	Nut, Front Jam
13	80242-00	Nut, Rear Jam
14	80268-00	Screw, Trigger, Single
15	80211-00	2 Finger Metal Trigger
16	80212-00	Bracket, Fluid Machined
17	80221-00	Fitting, Exhaust
18	80868-00	Fitting, Air Inlet
	80869-00	OD Air Fitting
19	80684-00	Gasket, Exhaust
20	EMF-201-04	Nut, Hex, Nylon
21	EMF-203-04	Ferrule, Front 1/4 Tube
22	EMF-202-04	Ferrule, Back 1/4 Tube
23	80269-45	Fluid Inlet Tube 45kv
	80269-65	Fluid Inlet Tube 65kv
24	79879-03	Coiled Fluid Inlet Fluid Tube
25	80346-00	Nut, Connector
26	80745-00	Gasket, Barrel
27	80732-00	Gasket, Rear
28	80244-00	Assembly, Valve, Air
29	80533-00	Spring, Air Valve
	80250-45	Cascade Assembly, 45kv
	80250-65	Cascade Assembly, 65kv



RansFlex RFXi LP 65kV

Part no.	
81465-X11100	RansFlex RFXi LP 65kV with TI-40 air cap, tip, no air or fluid hose
81465-X11105	RansFlex RFXi LP 65kV with QD for air, TI-40 air cap, tip, no air or fluid hose
81465-X11102	RansFlex RFXi LP 65kV with TI-40 air cap, tip, 10m air hose, no fluid hose
81465-X11107	RansFlex RFXi LP 65kV with QD for air, TI-40 air cap, tip, 10m air hose, no fluid hose
81465-X11112	RansFlex RFXi LP 65kV with TI-40 air cap, tip, 10m air and fluid hose
81465-X11117	RansFlex RFXi LP 65kV with QD for air, TI-40 air cap, tip, 10m air and fluid hose

Air cap Selection Table

Marking	Part No	0.7	1.0	1.2	1.4	1.8
TI-40	80383-00	●	●	●	●	●

Fluid Tip Selection Table

Description	0.7	Colour	1.0	Colour	1.2	Colour	1.4	Colour	1.8	Colour
Tip - standard for TI-40 Cap	80239-07	Black	80239-10	Black	80239-12	Red	80239-14	Grey	80239-18	Green

Fluid Hose Assemblies

Part no.	Description
80303-05	Low Pressure Fluid hose - 5m
80303-10	Low Pressure Fluid hose - 10m
80303-15	Low Pressure Fluid hose - 15m
80303-20	Low Pressure Fluid hose - 20m
80303-30	Low Pressure Fluid hose - 30m

Air Hose Assemblies

Part no.	Description
80558-05	Low Pressure Super Flexible Air hose - 5m
80558-10	Low Pressure Super Flexible Air hose - 10m
80558-15	Low Pressure Super Flexible Air hose - 15m
80558-20	Low Pressure Super Flexible Air hose - 20m
80558-06	Low Pressure Air hose - 5m complete with QD fittings
80558-11	Low Pressure Air hose - 10m complete with QD fittings
80558-16	Low Pressure Air hose - 15m complete with QD fittings
80558-21	Low Pressure Air hose - 20m complete with QD fittings

RansFlex RFXi Recommended Spares & Accessories



70430-01
Hi-Flex Electrode for RansFlex RFXi



80250-65
Cascade assembly for RansFlex RFXi 65kv



80255-00
Turbine assembly for RansFlex RFXi



80696-00
Handle gasket kit for RansFlex RFXi



80353-00
Gun wrench for RansFlex RFXi



11775-10
Protection hose 30mm grey for RansFlex RFXi



11775-05
Protection hose 55mm grey for RansFlex RFXi

RansFlex RFXi 65kV models available:

81465-ABCDEF

Atomisation

- 0 = T Series 1.2mm
- 1 = T Series 1.4mm
- 2 = T Series 1.8mm
- 3 = T Series 1.0mm
- 4 = T Series 0.7mm

Fluid Control

- 1 = Adjustable Fluid
- 2 = Non-Adjustable Fluid

Trigger

- 1 = 2 Finger Trigger
- 2 = 4 Finger Trigger

Fluid Tube/Inlet

- 1 = Standard Fluid Inlet Tube

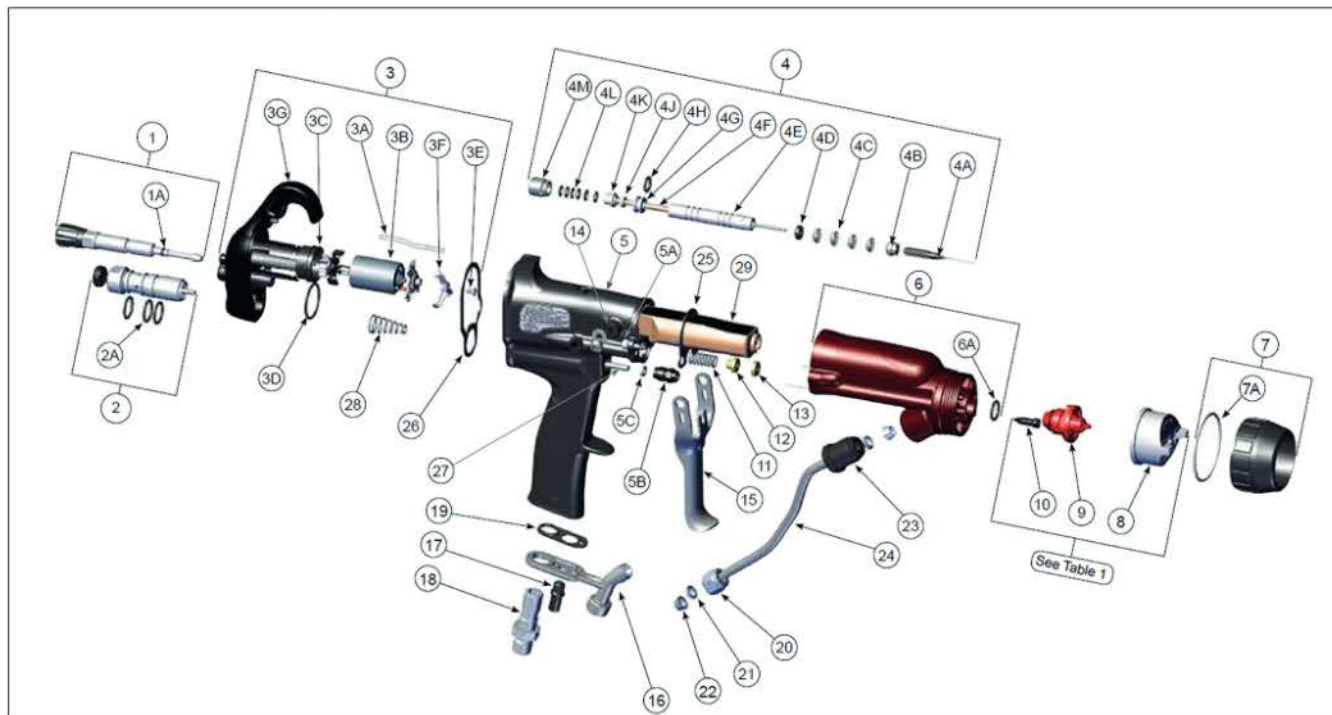
Fluid Hose

- 0 = No Fluid Hose
- 1 = 10m Fluid Hose
- 2 = 15m Fluid Hose
- 3 = 20m Fluid Hose
- 4 = 30m Fluid Hose

Air Hose

- 0 = No Air Hose, Standard
- 1 = Standard Air Hose 5m
- 2 = Standard Air Hose 10m
- 3 = Standard Air Hose 15m
- 4 = Standard Air Hose 20m
- 5 = No Air Hose, QD
- 6 = QD Air Hose 5M
- 7 = QD Air Hose 10M
- 8 = QD Air Hose 15M
- 9 = QD Air Hose 20M

RansFlex RFXi



Spare Parts

Ref.	Part no.	Description
1	80273-00	Assembly, Fan Valve
1A	79001-16	O-ring, solvent-resistant
2	80262-00	Fluid Cartridge, Adjustable, Assembly
	80262-01	Fluid Cartridge, Non Adjustable Assembly
2A	79001-08	O-ring, solvent-resistant
3	80378-00	Rear Cover With Motor Assy
3A	80213-00	Light Pipe
3B	80255-00	Motor Assembly Inc Support & Screws
3C	79775-00	Mounting Block
3D	7554-61	O-ring
3E	80275-00	Screw
3F	80219-00	Bracket, Locking
3G	80254-00	Cover, Rear, Bare (Contains Screws)
3H	80274-00	Screw, Barrel-Handle
4	80263-65	Needle Shaft Assembly 65kV
4A	70430-01	Assembly Electrode, High Wear
	70430-01-K3	Assembly Electrode, High Wear x 3
4B	80677-00	Adaptor, Male
4C	14323-00	Seal, Chevron 3/8 Dia.
	14323-00-K4	Seal, Chevron 3/8 Dia. x 4
4D	18821-00	Adaptor, Female, Chevron
4E	80257-65	Tube, Packing RFX (65kV)
4F	80225-65	Needle Shaft Assembly RFXi (65kV)
4G	79001-06	O-ring, Solvent Proof
4H	78629-00	Retainer, Needle Seal Rear
4J	10051-05	Cup Seal, Spring Loaded
4K	78630-00	Spacer, Seal
4L	17390-04	Washer, Spring, Belleville
	17390-04-K6	Washer, Spring, Belleville x 6
4M	78631-00	Nut, Packing
5	80870-00	Assembly, Handle

Ref.	Part no.	Description
5A	80274-00	Screw, Barrel-Handle
5B	80229-00	Nut, Retaining, Air Valve
5C	10051-05	Cup Seal, Spring Loaded
6	80724-00	Barrel & O-Ring Assy, RFXi 65kv
6A	79001-07	O-ring, solvent-resistant
7	80532-00	Nut, Retaining and O-ring Assembly
7A	LSOR0005-17	O-ring, Encapsulated
11	80258-00	Spring, Fluid Return
12	80243-00	Nut, Front Jam
13	80242-00	Nut, Rear Jam
14	80268-00	Screw, Trigger, Single
15	80211-00	2 Finger Metal Trigger
16	80212-00	Bracket, Fluid Machined
17	80221-00	Fitting, Exhaust
	80868-00	Fitting, Air Inlet
18	80869-00	QD Air Fitting
19	80684-00	Gasket, Exhaust
20	EMF-201-04	Nut, Hex, Nylon
21	EMF-203-04	Ferrule, Front 1/4 Tube
22	EMF-202-04	Ferrule, Back 1/4 Tube
23	80346-00	Nut, Connector
24	80269-65	Fluid Inlet Tube 65kv
	79879-03	Coiled Fluid Inlet Fluid Tube
25	80745-00	Gasket, Barrel
26	80732-00	Gasket, Rear
27	80244-00	Assembly, Valve, Air
28	80533-00	Spring, Air Valve
29	80250-65	Cascade Assembly, 65kv



RansFlex RXQ Solvent Quick Fan Adjust LP 45kV

Part no.	
81545-X11100	RansFlex RXQ LP 45kV with air cap, tip, no air or fluid hose
81545-X11105	RansFlex RXQ LP 45kV with QD for air, air cap, tip, no air or fluid hose
81545-X11102	RansFlex RXQ LP 45kV with air cap, tip, 10m air hose, no fluid hose
81545-X11107	RansFlex RXQ LP 45kV with QD for air, air cap, tip, 10m air hose, no fluid hose
81545-X11112	RansFlex RXQ LP 45kV with air cap, tip, 10m air and fluid hose
81545-X11117	RansFlex RXQ LP 45kV with QD for air, air cap, tip, 10m air and fluid hose

RansFlex RFXQ Solvent Quick Fan Adjust LP 65kV

Part no.	
81565-X11100	RansFlex RFXQ LP 65kV with air cap, tip, no air or fluid hose
81565-X11105	RansFlex RFXQ LP 65kV with QD for air, air cap, tip, no air or fluid hose
81565-X11102	RansFlex RFXQ LP 65kV with air cap, tip, 10m air hose, no fluid hose
81565-X11107	RansFlex RFXQ LP 65kV with QD for air, air cap, tip, 10m air hose, no fluid hose
81565-X11112	RansFlex RFXQ LP 65kV with air cap, tip, 10m air and fluid hose
81565-X11117	RansFlex RFXQ LP 65kV with QD for air, air cap, tip, 10m air and fluid hose

Air cap Selection Table

Marking	Part No	0.7	1.0	1.2	1.4	1.8
C-31	80231-00			●	●	●
T-40	80240-00	●	●	●	●	●
V-65	80265-00	●	●	●	●	●

Fluid Tip Selection Table

Description	0.7	Colour	1.0	Colour	1.2	Colour	1.4	Colour	1.8	Colour
Tip - standard for C-31 Cap					80230-12	Red	80230-14	Grey	80230-18	Green
Tip - standard for T-40 Cap	80239-07 ¹	Black	80239-10 ¹	Black	80239-12	Red	80239-14	Grey	80239-18	Green
Tip - standard for V-65 Cap	80264-07 ¹	Black	80264-10 ¹	Black	80264-12	Red	80264-14	Grey	80264-18	Green
Tip - hardwearing for V-65 Cap							80464-14	Tan	80464-18	Tan

¹Sold as Spare Part Only

Fluid Hose Assemblies

Part no.	Description
80303-05	Low Pressure Fluid hose - 5m
80303-10	Low Pressure Fluid hose - 10m
80303-15	Low Pressure Fluid hose - 15m
80303-20	Low Pressure Fluid hose - 20m
80303-30	Low Pressure Fluid hose - 30m

Air Hose Assemblies

Part no.	Description
80558-05	Low Pressure Super Flexible Air hose - 5m
80558-10	Low Pressure Super Flexible Air hose - 10m
80558-15	Low Pressure Super Flexible Air hose - 15m
80558-20	Low Pressure Super Flexible Air hose - 20m
80558-06	Low Pressure Air hose - 5m complete with QD fittings
80558-11	Low Pressure Air hose - 10m complete with QD fittings
80558-16	Low Pressure Air hose - 15m complete with QD fittings
80558-21	Low Pressure Air hose - 20m complete with QD fittings

RansFlex RXQ & RFXQ Recommended Spares & Accessories



70430-01
Hi-Flex Electrode for RansFlex



80250-45
Cascade assembly for RansFlex 45kv



80250-65
Cascade assembly for RansFlex 65kv



80255-00
Turbine assembly for RansFlex



80353-00
Gun wrench for RansFlex



11775-10
Protection hose 30mm grey for RansFlex



11775-05
Protection hose 55mm grey for RansFlex

RansFlex RXQ 45kV models available:

81545-ABCDEF

Atomisation

- 0 = V Series 1.2mm
- 1 = V Series 1.4mm
- 2 = V Series 1.8mm
- 3 = C Series 1.2mm
- 4 = C Series 1.4mm
- 5 = C Series 1.8mm
- 6 = T Series 1.2mm
- 7 = T Series 1.4mm
- 8 = T Series 1.8mm
- 9 = Round Spray

Fluid Control

- 1 = Adjustable Fluid
- 2 = Non-Adjustable Fluid

Trigger

- 1 = 2 Finger Trigger
- 2 = 4 Finger Trigger
- 3 = 2 Finger Small Trigger

Fluid Tube/Inlet

- 1 = Standard Fluid Inlet Tube
- 2 = Coiled Fluid Inlet Tube

Fluid Hose

- 0 = No Fluid Hose
- 1 = 10m Fluid Hose
- 2 = 15m Fluid Hose
- 3 = 20m Fluid Hose
- 4 = 30m Fluid Hose

Air Hose

- 0 = No Air Hose, Standard
- 1 = Standard Air Hose 5m
- 2 = Standard Air Hose 10m
- 3 = Standard Air Hose 15m
- 4 = Standard Air Hose 20m
- 5 = No Air Hose, QD
- 6 = QD Air Hose 5M
- 7 = QD Air Hose 10M
- 8 = QD Air Hose 15M
- 9 = QD Air Hose 20M

RansFlex RFXQ 65kV models available:

81565-ABCDEF

Atomisation

- 0 = V Series 1.2mm
- 1 = V Series 1.4mm
- 2 = V Series 1.8mm
- 3 = C Series 1.2mm
- 4 = C Series 1.4mm
- 5 = C Series 1.8mm
- 6 = T Series 1.2mm
- 7 = T Series 1.4mm
- 8 = T Series 1.8mm
- 9 = Round Spray

Fluid Control

- 1 = Adjustable Fluid
- 2 = Non-Adjustable Fluid

Trigger

- 1 = 2 Finger Trigger
- 2 = 4 Finger Trigger
- 3 = 2 Finger Small Trigger

Fluid Tube/Inlet

- 1 = Standard Fluid Inlet Tube
- 2 = Coiled Fluid Inlet Tube

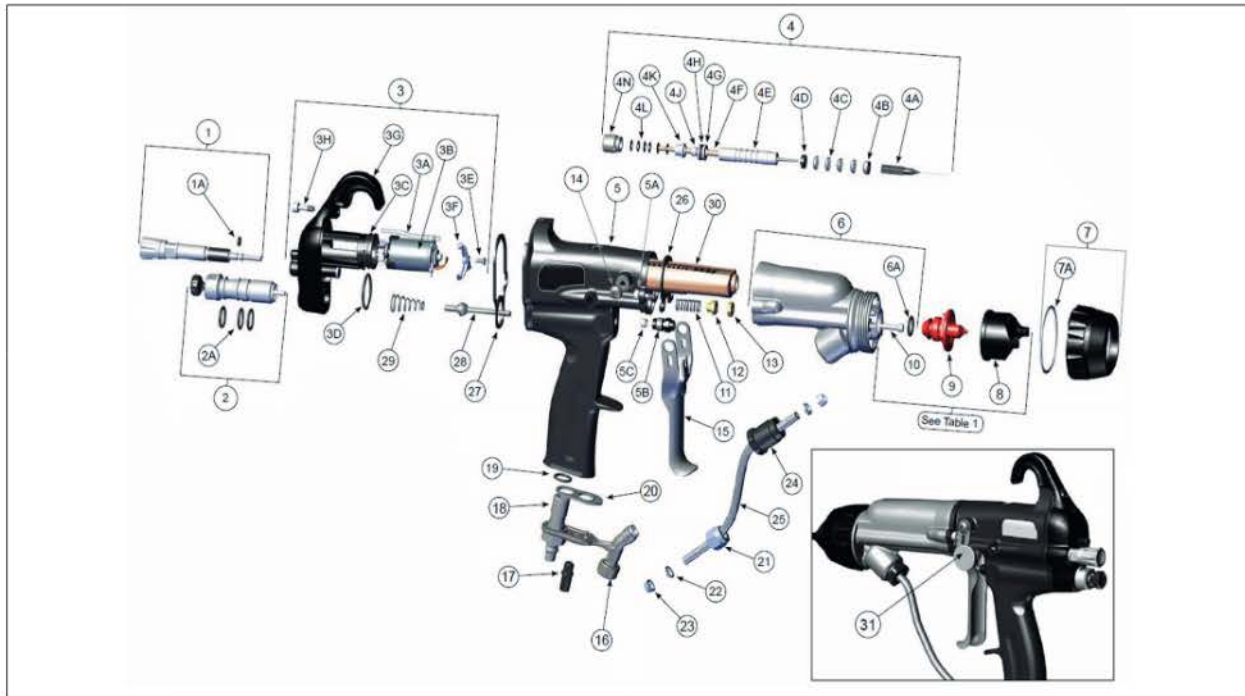
Fluid Hose

- 0 = No Fluid Hose
- 1 = 10m Fluid Hose
- 2 = 15m Fluid Hose
- 3 = 20m Fluid Hose
- 4 = 30m Fluid Hose

Air Hose

- 00 = No Air Hose, Standard
- 1 = Standard Air Hose 5m
- 2 = Standard Air Hose 10m
- 3 = Standard Air Hose 15m
- 4 = Standard Air Hose 20m
- 5 = No Air Hose, QD
- 6 = QD Air Hose 5M
- 7 = QD Air Hose 10M
- 8 = QD Air Hose 15M
- 9 = QD Air Hose 20M

RansFlex RXQ/RFXQ



Spare Parts

Ref.	Part no.	Description
1	80555-00	Assembly, Fan Valve
1a	79001-16	O-Ring, Solvent Proof
2	80262-00	Assembly, Fluid Cartridge
	80262-01	Assembly, Fluid Cartridge (Non-Adjustable)
2A	79001-08	O-Ring, Solvent Proof
3	80378-00	Cover,Rear Assembly
3A	80213-00	Pipe, Light
3B	80255-00	Assembly, Motor
3C	79755-00	Block, Porting
3D	7554-61	O-Ring, Solvent Resistant
3E	80275-00	Screw p.o.a
3F	80219-00	Bracket, Locking
3G	80254-00	Cover, Rear
3H	80274-00	Screw, Rear Cover
4	80263-45	Needle Shaft Assembly
4	80263-65	Needle Shaft Assembly
4A	70430-01	Assembly Electrode, High Water
	70430-01-K3	Assembly Electrode, High Water (kit of 3)
4B	80677-00	Adapter, Male
4C	14323-00	Seal, Chevron, 3/8 Dia.
	14323-00-K4	Seal, Chevron, (Kit Of 4)
4D	18821-00	Adapter, Female, Chevron
4E	80257-45	Tube, Packing Rx (45kv)
4F	80225-45	Needle Shaft Assembly Rf (45kv)
	80225-65	Needle Shaft Assembly Rfx (65kv)
4G	79001-06	O-Ring, Solvent Proof
4H	78629-00	Retainer, Needle Seal, Rear
4J	10051-05	Cup Seal, Spring Loaded
4K	78630-00	Spacer, Seal
4L	17390-04	Washer, Spring, Belleville
4L	17390-04-K6	Washer, Spring, Belleville (Kit Of 6)
4M	78631-00	Nut, Packing
5	80716-00	Assembly, Handle Includes Motor Control Board And Harness

Ref.	Part no.	Description
5A	80274-00	Screw, Barrel-Handle
5B	80229-00	Nut, Retaining, Air Valve
5C	10051-05	Cup Seal, Spring Loaded
6	80376-00	Barrel (Includes O-Ring) Rx (45kv)
	80379-00	Barrel (Includes O-Ring) Rfx (65kv)
6A	79001-07	O-Ring, Solvent Proof (included with 6)
7	80377-00	Nut, Retaining & O-Ring Assembly
7A	LSOR0005-17	O-Ring, Encapsulated
11	80258-00	Spring, Fluid Return
12	80243-00	Nut, Front Jam
13	80242-00	Nut, Rear Jam
14	80268-00	Screw, Trigger
15	80211-00	Assembly, Trigger
16	80212-00	Bracket, Fluid
17	80221-00	Fitting, Exhaust
18	80868-00	Fitting, Air Inlet
	80869-00	QD Air Fitting
19	80684-00	Gasket, Exhaust, Combined
20	EMF-201-04	Nut, Hex, Nylon
21	EMF-203-04	Ferrule, Front 1/4"
22	EMF-202-04	Ferrule, Back 1/4"
23	80269-45	Standard Fluid Inlet Tube Rx (45kv)
	80269-65	Standard Fluid Inlet Tube Rfx (65kv)
	79879-03	Coiled Fluid Inlet Tube
24	80346-00	Nut Connector
25	80745-00	Gasket Barrel
26	80732-00	Gasket, Rear
27	80244-00	Assembly, Valve, Air
28	80533-00	Spring, Air Valve
29	80250-65	Assembly, Cascade Rfx (65kv)
	80250-45	Assembly, Cascade Rx (45kv)
30	80550-00	Assembly, Quick Fan



RansFlex RFXW Waterbased Direct Charge LP 65kV

Part no.	
81520-X11000	RansFlex RFXW LP 65kV with air cap, tip, no air or fluid hose
81520-X11005	RansFlex RFXW LP 65kV with QD for air, air cap, tip, no air or fluid hose
81520-X11002	RansFlex RFXW LP 65kV with air cap, tip, 10m air hose, no fluid hose
81520-X11007	RansFlex RFXW LP 65kV with QD for air, air cap, tip, 10m air hose, no fluid hose
81520-X11012	RansFlex RFXW LP 65kV with air cap, tip, 10m air and 3/16" fluid hose
81520-X11017	RansFlex RFXW LP 65kV with QD for air, air cap, tip, 10m air and 3/16" fluid hose
81520-X11032	RansFlex RFXW LP 65kV with air cap, tip, 10m air and 1/4" fluid hose
81520-X11037	RansFlex RFXW LP 65kV with QD for air, air cap, tip, 10m air and 1/4" fluid hose

Air cap Selection Table

Marking	Part No	0.7	1.0	1.2	1.4	1.8
C-31	80231-00			●	●	●
T-40	80240-00	●	●	●	●	●
V-65	80265-00	●	●	●	●	●

Fluid Tip Selection Table

Description	0.7	Colour	1.0	Colour	1.2	Colour	1.4	Colour	1.8	Colour
Tip - standard for C-31 Cap					80230-12	Red	80230-14	Grey	80230-18	Green
Tip - standard for T-40 Cap	80239-07 ¹	Black	80239-10 ¹	Black	80239-12	Red	80239-14	Grey	80239-18	Green
Tip - standard for V-65 Cap	80264-07 ¹	Black	80264-10 ¹	Black	80264-12	Red	80264-14	Grey	80264-18	Green
Tip - hardwearing for V-65 Cap							80464-14	Tan	80464-18	Tan

¹Sold as Spare Part Only

Fluid Hose Assemblies

Part no.	Description
80500-10	Low Pressure Fluid hose 3/16" ID - 10m Waterbased
80500-15	Low Pressure Fluid hose 3/16" ID - 15m Waterbased
80499-10	Low Pressure Fluid hose 1/4" ID - 10m Waterbased
80499-15	Low Pressure Fluid hose 1/4" ID - 15m Waterbased

*Other hose lengths are available on request

Air Hose Assemblies

Part no.	Description
80558-05	Low Pressure Super Flexible Air hose - 5m
80558-10	Low Pressure Super Flexible Air hose - 10m
80558-15	Low Pressure Super Flexible Air hose - 15m
80558-20	Low Pressure Super Flexible Air hose - 20m
80558-06	Low Pressure Air hose - 5m complete with QD fittings
80558-11	Low Pressure Air hose - 10m complete with QD fittings
80558-16	Low Pressure Air hose - 15m complete with QD fittings
80558-21	Low Pressure Air hose - 20m complete with QD fittings

RansFlex RFXW Recommended Spares & Accessories



70430-01
Hi-Flex Electrode for RansFlex



80250-65
Cascade assembly for RansFlex



80255-00
Turbine assembly for RansFlex



80353-00
Gun wrench for RansFlex



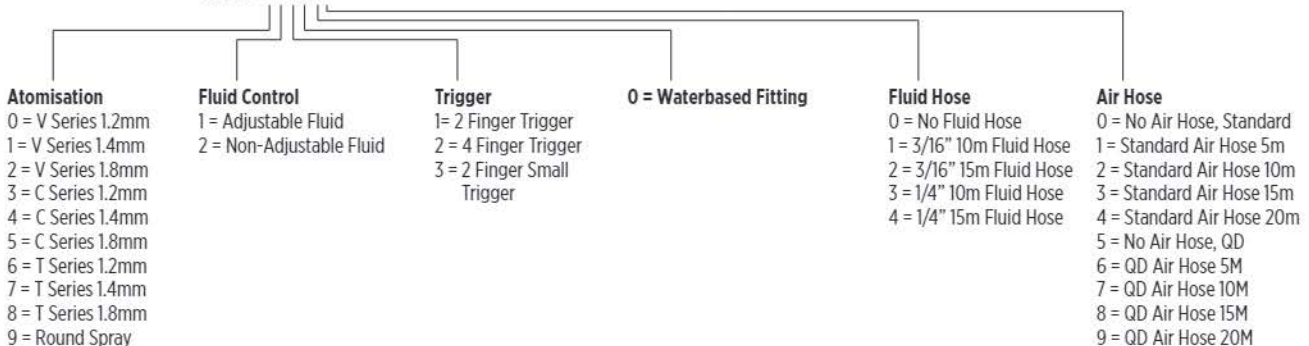
11775-10
Protection hose 30mm grey for RansFlex



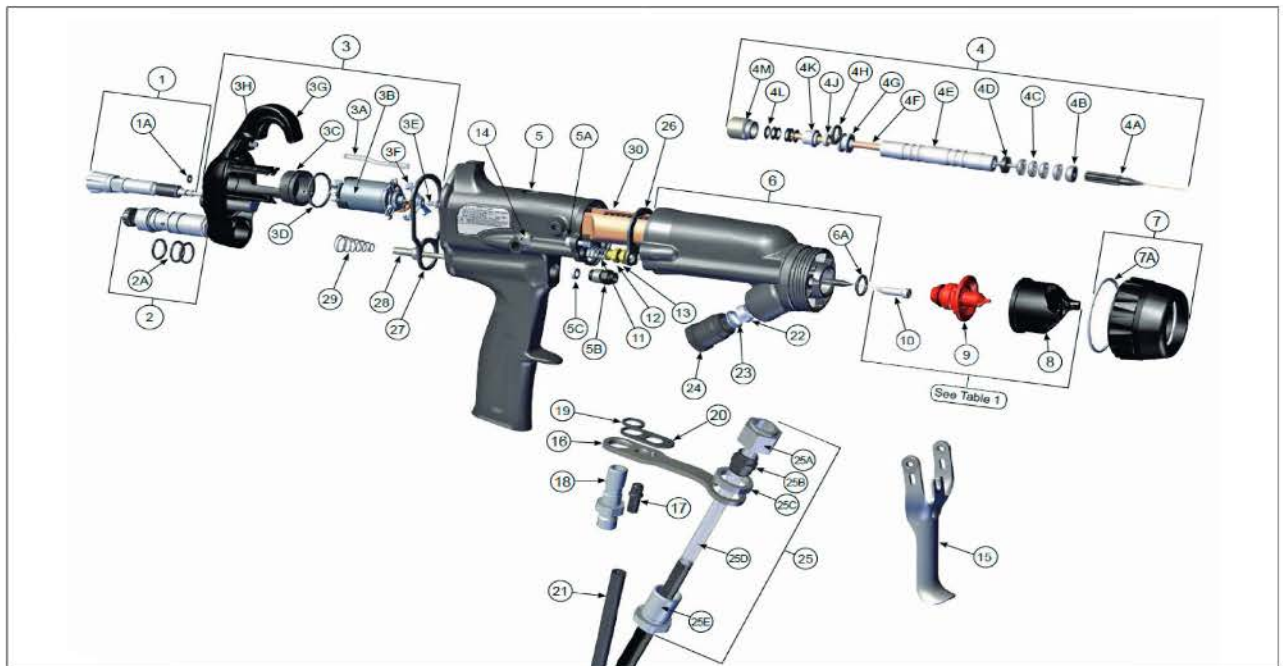
11775-05
Protection hose 55mm grey for RansFlex

RansFlex RFXW 65kV models available:

81520-ABCOEF



RansFlex RFXW



Spare Parts

Ref.	Part no.	Description
1	80273-00	Assembly, Fan Valve
1a	79001-16	O-Ring, Solvent Proof
2	80262-00	Assembly, Fluid Cartridge
	80262-01	Assembly, Fluid Cartridge (Non-Adjustable)
2A	79001-08	O-Ring, Solvent Proof
3	80378-00	Cover,Rear Assembly
3A	80213-00	Pipe, Light
3B	80255-00	Assembly, Motor
3C	79755-00	Block, Porting
3D	7554-61	O-Ring, Solvent Resistant
3E	80275-00	Screw
3F	80219-00	Bracket, Locking
3G	80254-00	Cover, Rear
3H	80274-00	Screw, Rear Cover
4	80263-65	Needle Shaft Assembly
4A	70430-01	Assembly Electrode, High Water
	70430-01-K3	Assembly Electrode, High Water Kit of 3
4B	80677-00	Adapter, Male
4C	14323-00	Seal, Chevron, 3/8 Dia.
	14323-00-K4	Seal, Chevron, (Kit Of 4)
4D	18821-00	Adapter, Female, Chevron
4E	80257-65	Tube, Packing Rx (65kv)
4F	80225-65	Needle Shaft Assembly Rfx (65kv)
4G	79001-06	O-Ring, Solvent Proof
4H	78629-00	Retainer, Needle Seal, Rear
4J	10051-05	Cup Seal, Spring Loaded
4K	78630-00	Spacer, Seal
4L	17390-04	Washer, Spring, Belleville
	17390-04-K6	Washer, Spring, Belleville (Kit Of 6)
4M	78631-00	Nut, Packing
5	80870-00	Assembly, Handle Includes Motor Control Board And Harness

Ref.	Part no.	Description
5A	80274-00	Screw, Barrel-Handle
5B	80229-00	Nut, Retaining, Air Valve
5C	10051-05	Cup Seal, Spring Loaded
7A	LSOR0005-17	O-Ring, Encapsulated
6	80489-00	Barrel (Includes O-Ring) RFXw (65kv)
6A	79001-07	O-Ring, Solvent Proof (Included in 6)
7	80377-00	Nut, Retaining & O-Ring Assembly
7A	LSOR0005-17	O-Ring, Encapsulated
11	80258-00	Spring, Fluid Return
12	80243-00	Nut, Front Jam
13	80242-00	Nut, Rear Jam
14	80268-00	Screw, Trigger
15	80211-00	Trigger, Low Profile
16	80497-00	Bracket, Fluid
17	80221-00	Fitting, Exhaust
18	80868-00	Fitting, Air Inlet
	80869-00	QD Air Fitting
19	80684-00	Gasket, Exhaust, Combined
20	79861-00	Tube, Air
21	EMF-203-05	Ferrule, Front 3/8"
22	EMF-202-05	Ferrule, Back 3/8"
23	80346-01	Fitting, 3/8 ODT
24	80500-XX	Hose Assembly 3/16" ID
	80501-XX	Hose Assembly 1/4" ID
24A	3587-02	Nut
24B	72315-00	Ferrule, Conductor
24C	10553-05	Nut
24D	80498-XX	Hose 3/16" ID
	80499-XX	Hose 1/4" ID
24E	72311-00	Fitting, Fluid
25	80745-00	Gasket, Barrel
26	80732-00	Gasket, Rear
27	80244-00	Assembly, Valve, Air
28	80533-00	Spring, Air Valve
29	80250-65	Assembly, Cascade Rfx (65kv)

RansFlex® AA85 Electrostatic Applicator



Part No.	Description
7994-36	Fluid Inlet Swivel Fitting
7994-50	Fluid Inlet Swivel Fitting
7994-75	Fluid Inlet Swivel Fitting
7994-100	Fluid Inlet Swivel Fitting
80386-00	Fluid Inlet Swivel Fitting
80566-00	Fluid Inlet Swivel Fitting
76104-00	Fluid Inlet Swivel Fitting
4SN-4SW	Fluid Inlet Swivel Fitting

Part No.	Description	Length	Part No.
80885-08100	RansFlex AA85 Gun Kit	5m / 16'	80558-05
	- Standard Air Inlet	10m / 32'	80558-10
		15m / 50'	80558-15
		20m / 65'	80558-20
80885-08105	RansFlex AA85 Gun Kit - QD Air Inlet	5m / 16'	80558-06
		10m / 32'	80558-11
		15m / 50'	80558-16
		20m / 65'	80558-21

Standard Tip PN	Pre-Office Tip PN	Fan Pattern Size	Tip Orifice Size
80740-0509		130 mm / 5"	0,23 mm / 0.009"
80740-1009	80907-1009	250 mm / 10"	0,23 mm / 0.009"
80740-0511	80907-0511	130 mm / 5"	0,28 mm / 0.011"
80740-0811	80907-0811	200 mm / 8"	0,28 mm / 0.011"
80740-1011	80907-1011	250 mm / 10"	0,28 mm / 0.011"
80740-1311	80907-1311	330 mm / 13"	0,28 mm / 0.011"
80740-1511	80907-1511	380 mm / 15"	0,28 mm / 0.011"
80740-0513	80907-0513	130 mm / 5"	0,33 mm / 0.013"
80740-0813	80907-0813	200 mm / 8"	0,33 mm / 0.013"
80740-1013	80907-1013	250 mm / 10"	0,33 mm / 0.013"
80740-1313	80907-1313	330 mm / 13"	0,33 mm / 0.013"
80740-1513	80907-1513	380 mm / 15"	0,33 mm / 0.013"
80740-1015	80907-1015	250 mm / 10"	0,33 mm / 0.015"
80740-1315	80907-1315	330 mm / 13"	0,33 mm / 0.015"
80740-1515	80907-1515	380 mm / 15"	0,33 mm / 0.015"
80740-1715	80907-1715	430 mm / 17"	0,33 mm / 0.015"
80740-1018	80907-1018	250 mm / 10"	0,46 mm / 0.018"
80740-1318	80907-1318	330 mm / 13"	0,46 mm / 0.018"
80740-1518	80907-1518	380 mm / 15"	0,46 mm / 0.018"
80740-1021	80907-1021	250 mm / 10"	0,53 mm / 0.021"
80740-1521	80907-1521	380 mm / 15"	0,53 mm / 0.021"

RansFlex RFXA Solvent Solvent LP 65kV Automatic Applicator



Part no.	Description
80665-X121000	RansFlex RFXA 65kV Non-Bleeder with air cap, tip, and no fluid hose
80665-X121021	RansFlex RFXA 65kV Non-Bleeder with air cap, tip, and no fluid hose complete with 9060 power supply and 10m low voltage cable
80665-X221000	RansFlex RFXA 65kV Bleeder with air cap, tip, and no fluid hose
80665-X221021	RansFlex RFXA 65kV Bleeder with air cap, tip, and no fluid hose complete with 9060 power supply and 10m low voltage cable

Control unit - Cascade

Part no.	Description
80120-612	9060 Low voltage, Cascade 65kV, Low Pressure

Air cap Selection Table

Marking	Part No	0.7	1.0	1.2	1.4	1.8
C-31	80231-00			●	●	●
T-40	80240-00	●	●	●	●	●
V-65	80265-00	●	●	●	●	●

Fluid Tip Selection Table

Description	0.7	Colour	1.0	Colour	1.2	Colour	1.4	Colour	1.8	Colour
Tip - standard for C-31 Cap					80230-12	Red	80230-14	Grey	80230-18	Green
Tip - standard for T-40 Cap	80239-07 ¹⁾	Black	80239-10 ¹⁾	Black	80239-12	Red	80239-14	Grey	80239-18	Green
Tip - standard for V-65 Cap	80264-07 ¹⁾	Black	80264-10 ¹⁾	Black	80264-12	Red	80264-14	Grey	80264-18	Green
Tip - hardwearing for V-65 Cap							80464-14	Tan	80464-18	Tan

1) Sold as Spare Parts Only

Fluid Hose Assemblies

Part no.	Description
80303-10	Low Pressure Fluid hose - 10m
80303-15	Low Pressure Fluid hose - 15m
80303-20	Low Pressure Fluid hose - 20m
80303-30	Low Pressure Fluid hose - 30m

*Other hose lengths are available on request

RansFlex RFXA Recommended Spares & Accessories



70430-01
Hi-Flex Electrode for RansFlex range



80590-65
Cascade assembly for RansFlex RFXA 65kV



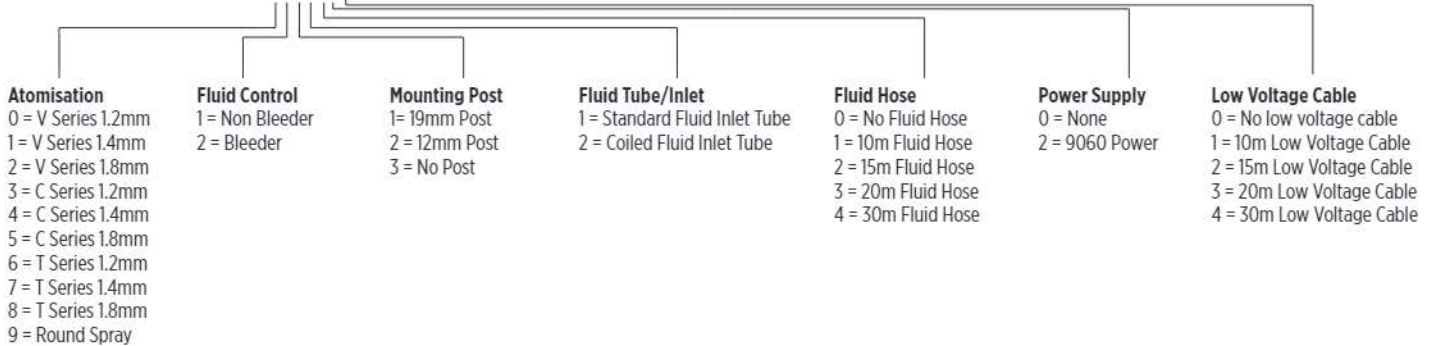
80745-00
Barrel Gasket for RansFlex RFXA 65kV



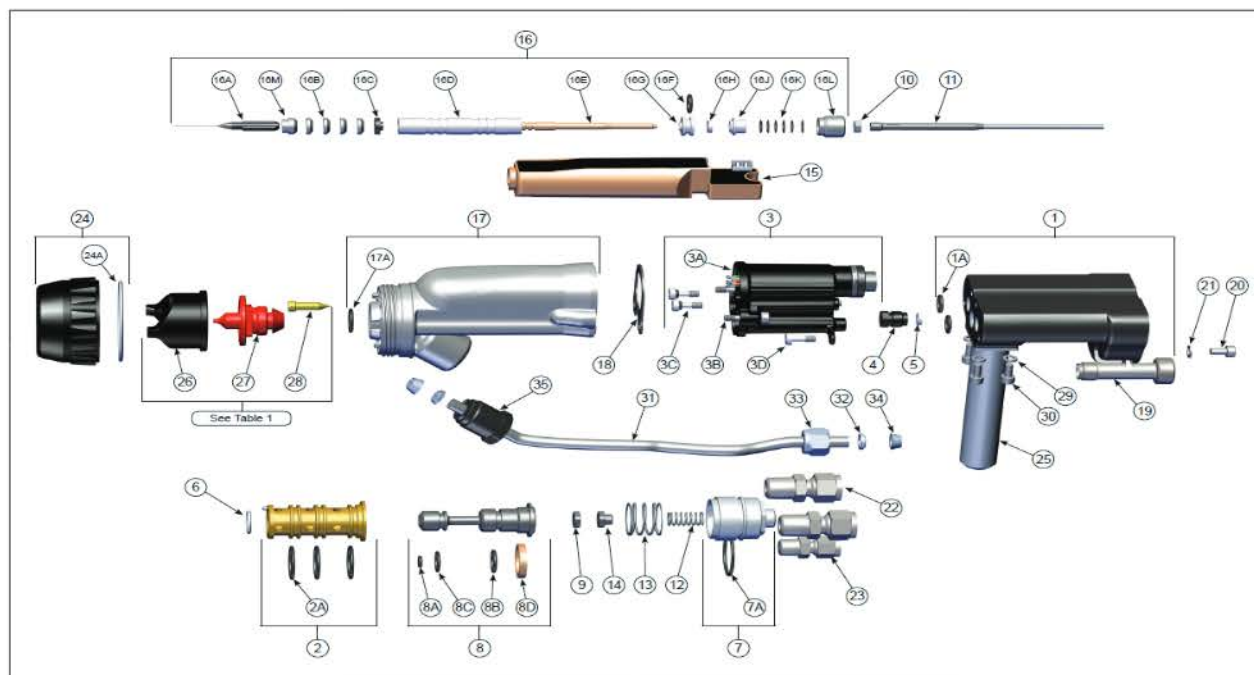
80353-00
Gun wrench for RansFlex range

RansFlex RFXA 65kV models available:

80665-ABCDEFG



RansFlex RFXA 65kV Non Bleed - Solvent

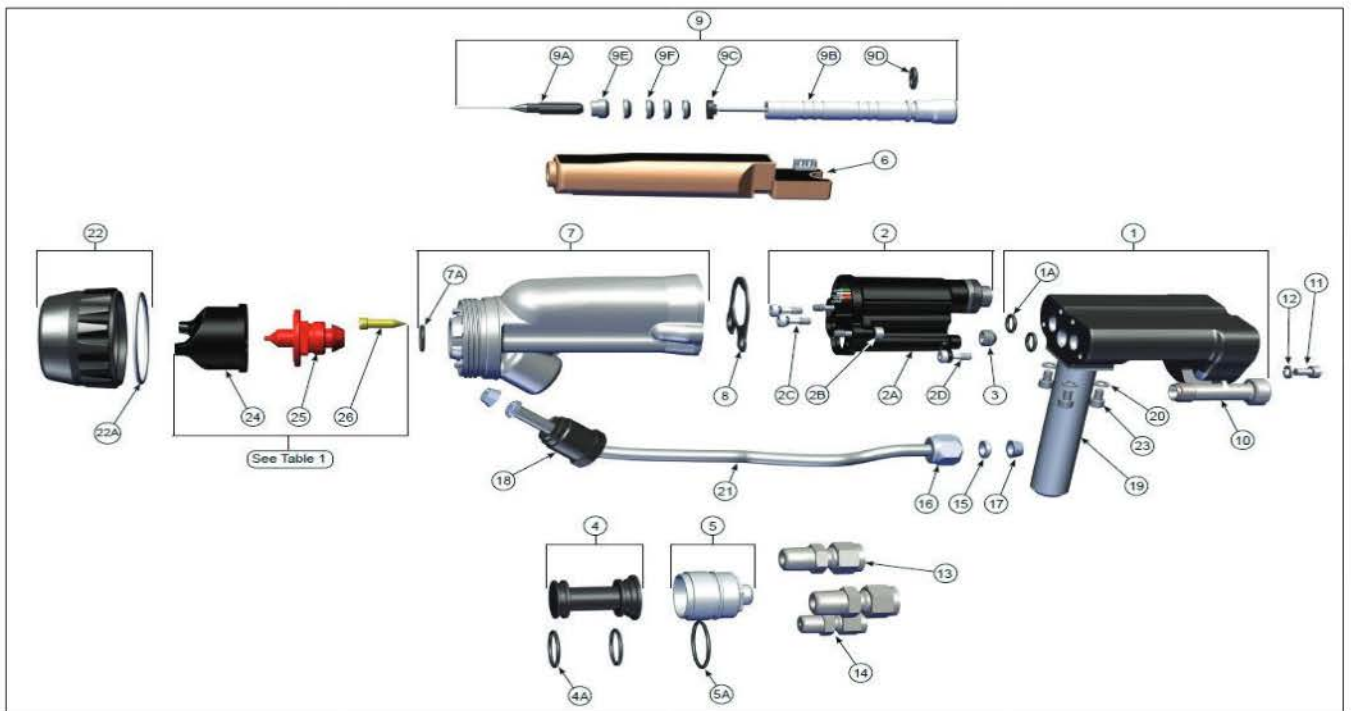


Spare Parts

Ref.	Part no.	Description
1	80602-00	O-ring Piston Body Assembly
1a	79001-06	O-ring, Solvent Proof
2	80603-00	Bushing Assembly
2a	79001-19	O-ring, Solvent Proof
3	80605-00	Cascade Housing Assembly
3a	80672-00	Housing Assembly
3b	80695-00	Modified Screw
3c	80609-00	Screw and O-ring Assembly
3d	80608-00	Low Profile Screw
4	80606-00	Air Valve Nut, Retaining
5	10051-05	Cup Seal, Spring Loaded
6	13076-13	O-ring 2-013 PTFE
7	80595-00	Cap Assembly
7a	79001-12	O-ring, Solvent Proof
8	80594-00	Piston Assembly
8a	79001-03	O-ring, Solvent Proof
8b	79001-07	O-ring, Solvent Proof
8c	79001-14	O-ring, Solvent Proof
8d	80597-00	U-Cup Seal Spring Energized
9	80593-00	Nut, Rear Jam
10	80592-00	Nut, Jam
11	80591-00	Needle Shaft Extension
12	80258-00	Spring, Fluid Return
13	80587-00	Spring, Piston Return
14	80588-00	Spring Guide Jam Nut
15	80590-65	Assembly, Cascade
16	80263-65	Assembly, Needle Shaft
16a	70430-01	Assembly, Electrode, High Wear
	70430-01-K3	Kit of 3 Electrodes
16b	14323-00	Seal, Chevron, 3/8 Dia.
	14323-00-K4	Seal, Chevron, (Kit of 4)
16c	18821-00	Adapter Female Chevron
16d	80257-65	Tube, Packing

Ref.	Part no.	Description
16e	80225-65	Needle Shaft Assembly
16f	79001-06	O-ring, Solvent Proof
16g	78629-00	Retainer, Needle Seal, Rear
16h	10051-05	Cup Seal, Spring Loaded
16j	78630-00	Spacer, Seal
16k	17390-04	Washer, Spring, Belleville
	17390-04-K6	Washer, Spring, Belleville (Kit of 6)
16l	78631-00	Nut, Packing
16m	80677-00	Adapter, Male
17	80379-00	65kV Barrel & O-Ring Assembly
17a	79001-07	O-ring, Solvent Proof
18	80745-00	Gasket, Barrel
19	80586-00	Fluid Inlet
20	A11119-08	Screw, Socket HD Cap, Stainless
21	7734-03	Lock Washer, Standard
22	80579-00	Tube Fitting 8mm
23	80580-00	Tube Fitting 4mm
24	80377-00	Nut, Retaining & O-Ring Assembly
24a	LSOR0005-17	O-ring, encapsulated
25	80583-19	Machine Post 19mm
	80583-12	Machine Post 12mm
29	7734-03	Lock Washer, Standard
30	A11119-08	Screw, Socket HD Cap, Stainless
31	80578-65	Tube, Fluid Delivery
	79879-01	Coiled Fluid Inlet Tube
32	EMF-202-04	Ferrule, Back 1/4"
33	EMF-201-04	Nut, Hex, Nylon
34	EMF-203-04	Ferrule, Front 1/4"
35	80346-00	Nut, Connector, Hose

RansFlex RFXA 65kV Bleed - Solvent



Spare Parts

Ref.	Part no.	Description
1	80602-00	O-ring Piston Body Assembly
1a	79001-06	O-ring, Solvent Proof
2	80605-00	Cascade Housing Assembly
2a	80672-00	Housing Assembly
2b	80695-00	Modified Screw
2c	80609-00	Screw and O-ring Assembly
2d	80608-00	Low Profile Screw
3	80599-00	Plug
4	80601-00	Bleeder Plug
4a	79001-19	O-ring, Solvent Proof
5	80595-00	Cap Assembly
5a	79001-12	O-ring, Solvent Proof
6	80590-65	Assembly, Cascade
7	80379-00	65kV Barrel & O-Ring Assembly
7a	79001-07	O-ring, Solvent Proof
8	80745-00	Gasket, Barrel
9	80585-65	Assembly, Needle Shaft
9a	70430-01	Assembly, Electrode, High Wear
	70430-01-K3	Kit of 3 Electrodes
9b	80589-00	Needleless Shaft Assembly Bleeder
9c	18821-00	Adapter Female Chevron
9d	79001-06	O-ring, Solvent Proof
9e	80677-00	Adapter, Male
9f	14323-00	Seal, Chevron, 3/8 Dia.
	14323-00-K4	Seal, Chevron, (Kit of 4)
10	80586-00	Fluid Inlet
11	A11119-08	Screw, Socket HD Cap, Stainless
12	7734-03	Lock Washer, Standard
13	80579-00	Tube Fitting 8mm
14	80580-00	Tube Fitting 4mm

Ref.	Part no.	Description
15	EMF-202-04	Ferrule, Back 1/4"
16	EMF-201-04	Nut, Hex, Nylon
17	EMF-203-04	Ferrule, Front 1/4"
18	80346-00	Nut, Connector, Hose
19	80583-19	Machine Post 19mm
	80583-12	Machine Post 12mm
20	7734-03	Lock Washer, Standard
21	80578-65	Tube, Fluid Delivery
	79879-01	Colied Fluid Inlet Tube
22	80377-00	Nut, Retaining & O-Ring Assembly
22a	LSOR0005-17	O-Ring, Encapsulated
23	A11119-08	Screw, Socket HD Cap, Stainless



RansFlex RFXAW Waterbased LP 65kV Automatic Applicator

Part no.	Description
80765-X110000	RansFlex RFXAW 65kV Non-Bleeder with air cap, tip, and no fluid hose
80765-X110021	RansFlex RFXAW 65kV Non-Bleeder with air cap, tip, and no fluid hose complete with 9060 power supply and 10m low voltage cable
80765-X210000	RansFlex RFXAW 65kV Bleeder with air cap, tip, and no fluid hose
80765-X210021	RansFlex RFXAW 65kV Bleeder with air cap, tip, and no fluid hose complete with 9060 power supply and 10m low voltage cable

Control unit - Cascade

Part no.	Description
80120-612	9060 Low voltage, Cascade 65kV, Low Pressure

Air cap Selection Table

Marking	Part No	0.7	1.0	1.2	1.4	1.8
C-31	80231-00			●	●	●
T-40	80240-00	●	●	●	●	●
V-65	80265-00	●	●	●	●	●

Fluid Tip Selection Table

Description	0.7	Colour	1.0	Colour	1.2	Colour	1.4	Colour	1.8	Colour
Tip - standard for C-31 Cap					80230-12	Red	80230-14	Grey	80230-18	Green
Tip - standard for T-40 Cap	80239-07 ¹	Black	80239-10 ¹	Black	80239-12	Red	80239-14	Grey	80239-18	Green
Tip - standard for V-65 Cap	80264-07 ¹	Black	80264-10 ¹	Black	80264-12	Red	80264-14	Grey	80264-18	Green
Tip - hardwearing for V-65 Cap							80464-14	Tan	80464-18	Tan

1) Sold as Spare Parts Only

Fluid Hose Assemblies

Part no.	Description
80500-10	Low Pressure Fluid hose 3/16" ID - 10m Waterbased
80500-15	Low Pressure Fluid hose 3/16" ID - 15m Waterbased
80499-10	Low Pressure Fluid hose 1/4" ID - 10m Waterbased
80499-15	Low Pressure Fluid hose 1/4" ID - 15m Waterbased

*Other hose lengths are available on request

RansFlex RFXAW Recommended Spares & Accessories



70430-01
Hi-Flex Electrode for RansFlex range



80590-65
Cascade assembly for RansFlex RFXAW 65kV



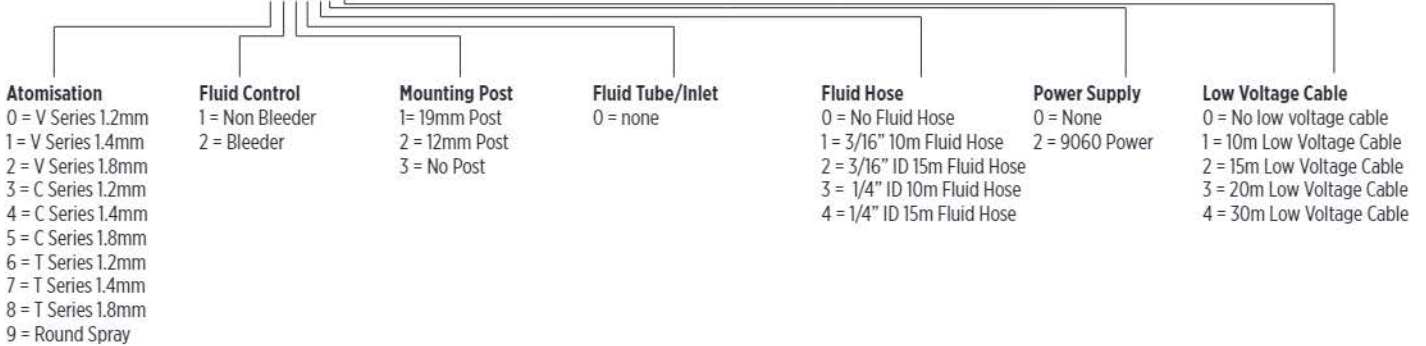
80745-00
Barrel Gasket for RansFlex RFXAW 65kV



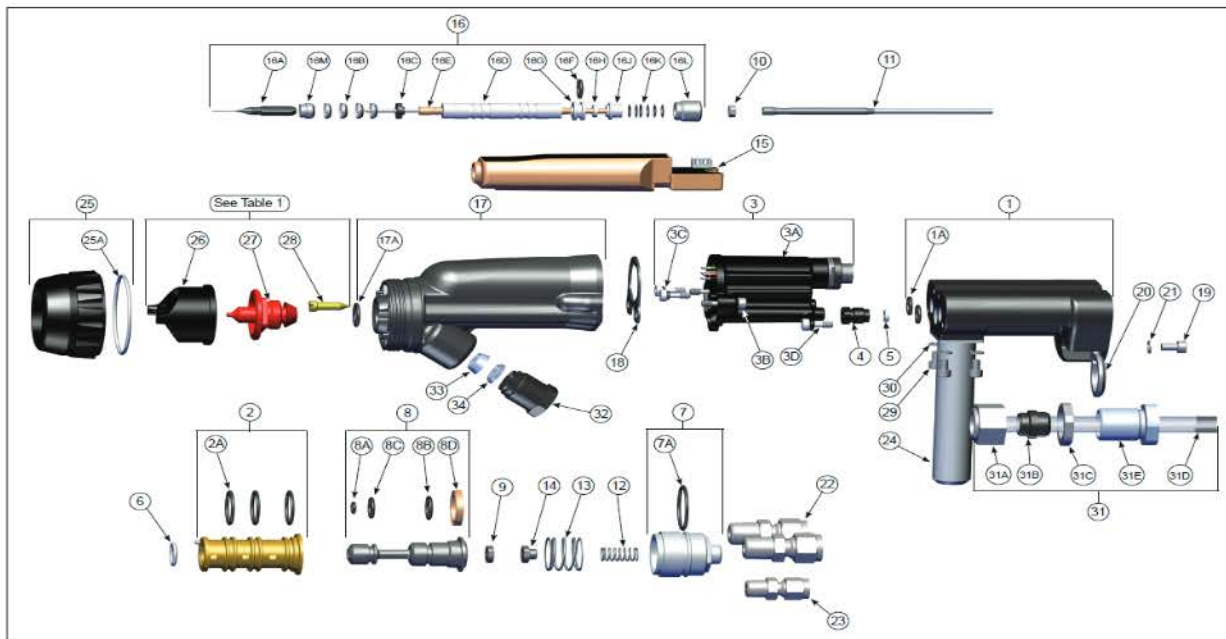
80353-00
Gun wrench for RansFlex range

RansFlex RFXAW 65kV models available:

80765-ABCDEFG



RansFlex RFXAW 65kV Non Bleed - Waterbased

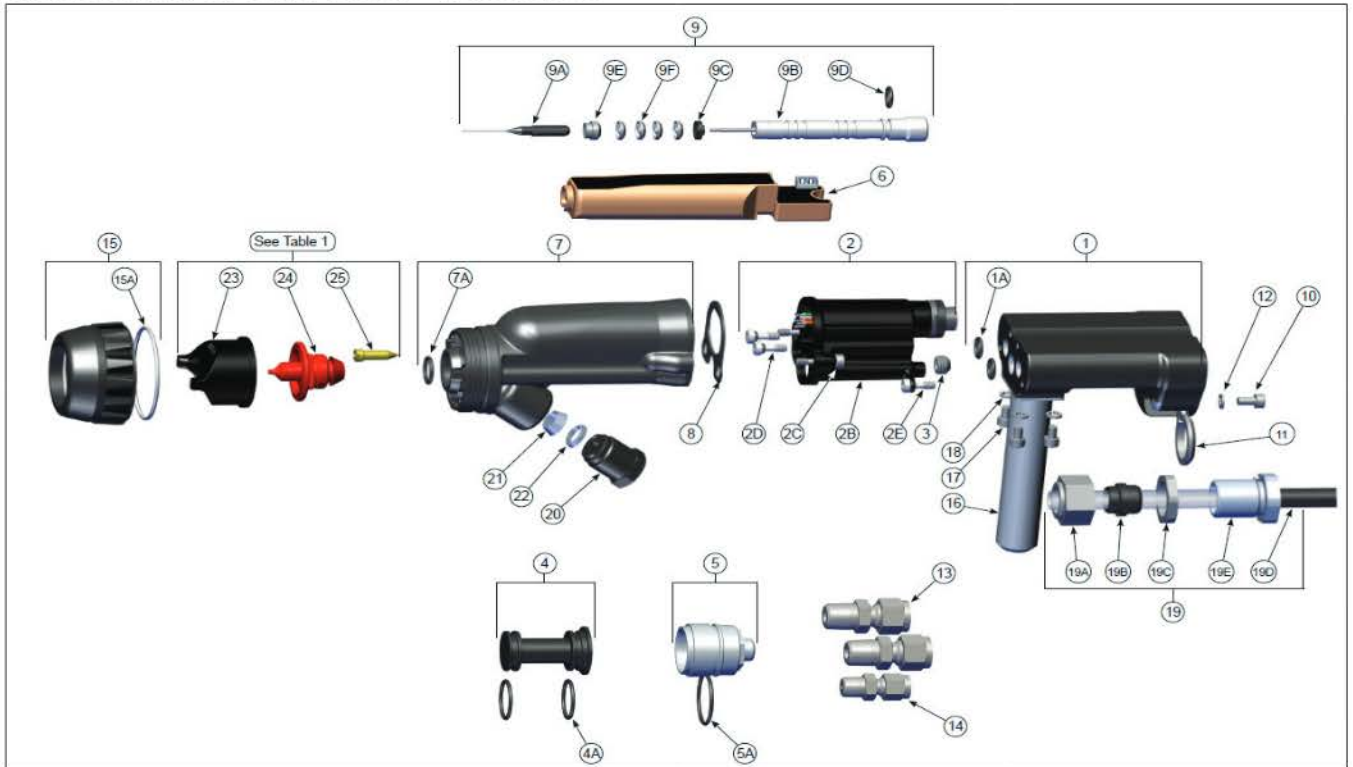


Spare Parts

Ref.	Part no.	Description
1	80602-00	O-ring Piston Body Assembly
1a	79001-06	O-ring, Solvent Proof
2	80603-00	Bushing Assembly
2a	79001-19	O-ring, Solvent Proof
3	80605-00	Cascade Housing Assembly
3a	80672-00	Housing Assembly
3b	80695-00	Modified Screw
3c	80609-00	Screw and O-ring Assembly
3d	80608-00	Low Profile Screw
4	80606-00	Air Valve Nut, Retaining
5	10051-05	Cup Seal, Spring Loaded
6	13076-13	O-ring 2-013 PTFE
7	80595-00	Cap Assembly
7a	79001-12	O-ring, Solvent Proof
8	80594-00	Piston Assembly
8a	79001-03	O-ring, Solvent Proof
8b	79001-07	O-ring, Solvent Proof
8c	79001-14	O-ring, Solvent Proof
8d	80597-00	U-Cup Seal Spring Energized
9	80593-00	Nut, Rear Jam
10	80592-00	Nut, Jam
11	80591-00	Needle Shaft Extension
12	80258-00	Spring, Fluid Return
13	80587-00	Spring, Piston Return
14	80588-00	Spring Guide Jam Nut
15	80590-65	Assembly, Cascade
16	80263-65	Assembly, Needle Shaft
	70430-01	Assembly, Electrode, High Wear
16a	70430-01-K3	Kit of 3 Electrodes
	14323-00	Seal, Chevron, 3/8 Dia.
16b	14323-00-K4	Seal, Chevron, (Kit of 4)
16c	18821-00	Adapter Female Chevron
16d	80257-65	Tube, Packing
16e	80225-65	Needle Shaft Assembly
16f	79001-06	O-ring, Solvent Proof

Ref.	Part no.	Description
16g	78629-00	Retainer, Needle Seal, Rear
16h	10051-05	Cup Seal, Spring Loaded
16j	78630-00	Spacer, Seal
	17390-04	Washer, Spring, Belleville
16k	17390-04-K6	Washer, Spring, Belleville (Kit of 6)
16l	78631-00	Nut, Packing
16m	80677-00	Adapter, Male
17	80489-00	65kV Barrel & O-Ring Assembly
17a	79001-07	O-ring, Solvent Proof
18	80745-00	Gasket, Barrel
19	A11119-08	Screw, Socket HD Cap, Stainless
20	80615-00	Water Base Bracket
21	7734-03	Lock Washer, Standard
22	80579-00	Tube Fitting 8mm
23	80580-00	Tube Fitting 4mm
	80583-19	Machine Post 19mm
24	80583-12	Machine Post 12mm
25	80377-00	Nut, Retaining & O-Ring Assembly
25a	LSOR0005-17	O-Ring, Encapsulated
29	A11119-08	Screw, Socket HD Cap, Stainless
30	7734-03	Lock Washer, Standard
	80500-XX	Fluid Hose Assembly Grounded 3/16"
31	80501-XX	Fluid Hose Assembly Grounded 1/4"
31a	3587-02	Nut
31b	72315-00	Ferrule, Conductor
31c	10553-05	Nut
	80498-XX	Hose, 3/16" ID
31d	80499-XX	Hose, 1/4" ID
31e	72310-00	Fitting, Fluid
32	80346-01	Nut, Connector, Hose
33	EMF-203-05	Ferrule, Front 3/8"
34	EMF-202-05	Ferrule, Back 3/8"

RansFlex RFXAW 65kV Bleed - Waterbased



Spare Parts

Ref.	Part no.	Description
1	80602-00	O-ring Piston Body Assembly
1a	79001-06	O-ring, Solvent Proof
2	80605-00	Cascade Housing Assembly
2a	80672-00	Housing Assembly
2b	80695-00	Modified Screw
2c	80609-00	Screw and O-ring Assembly
2d	80608-00	Low Profile Screw
3	80599-00	Plug
4	80601-00	Bleeder Plug
4a	79001-19	O-ring, Solvent Proof
5	80595-00	Cap Assembly
5a	79001-12	O-ring, Solvent Proof
6	80590-65	Assembly, Cascade
7	80489-00	65kV Barrel & O-Ring Assembly
7a	79001-07	O-ring, Solvent Proof
8	80745-00	Gasket, Barrel
9	80585-65	Assembly, Needle Shaft
9a	70430-01	Assembly, Electrode, High Wear
	70430-01-K3	Kit of 3 Electrodes
9b	80589-00	Needleless Shaft Assembly Bleeder
9c	18821-00	Adapter Female Chevron
9d	79001-06	O-ring, Solvent Proof
9e	80677-00	Adapter, Male
	14323-00	Seal, Chevron, 3/8 Dia.
9f	14323-00-K4	Seal, Chevron, (Kit of 4)
10	A11119-08	Screw, Socket HD Cap, Stainless
11	80615-00	Water Base Bracket
12	7734-03	Lock Washer, Standard

Ref.	Part no.	Description
13	80579-00	Tube Fitting 8mm
14	80580-00	Tube Fitting 4mm
15	80377-00	Nut, Retaining & O-Ring Assembly
15a	LSOR0005-17	O-Ring, Encapsulated
	80583-19	Machine Post 19mm
16	80583-12	Machine Post 12mm
17	A11119-08	Screw, Socket HD Cap, Stainless
18	7734-03	Lock Washer, Standard
	80500-XX	Fluid Hose Assembly Grounded 3/16"
19	80501-XX	Fluid Hose Assembly Grounded 1/4"
19a	3587-02	Nut
19b	72315-00	Ferrule, Conductor
19c	10553-05	Nut
	80498-XX	Hose, 3/16" ID
19d	80499-XX	Hose, 1/4" ID
19e	72310-00	Fitting, Fluid
20	80346-01	Nut, Connector, Hose
21	EMF-203-05	Ferrule, Front 3/8"
22	EMF-202-05	Ferrule, Back 3/8"



Vector Cascade

Part no.	
79501-12202	VECTOR R70 Cascade, solvent, 65kV with 10m cable and control unit
79501-22202	VECTOR R70 Cascade, solvent, 65kV with 15m cable and control unit
79500-12202	VECTOR R90 Cascade, solvent, 85kV with 10m cable and control unit
79500-22202	VECTOR R90 Cascade, solvent, 85kV with 15m cable and control unit
79523-12102	VECTOR R90 Cascade, water-based, 85kV with 10m cable, control unit and 10m isolated material hose package
79523-22302	VECTOR R90 Cascade, water-based paint, 85kV with 15m cable, control unit and 15m isolated material hose package



Vector Classic

Part no.	
79504-12202	VECTOR R70 Classic , solvent, 65kV with 10m cable and control unit
79504-22202	VECTOR R70 Classic, solvent, 65kV with 15m cable and control unit
79503-12202	VECTOR R90 Classic, solvent, 85kV with 10m cable and control unit
79503-22202	VECTOR R90 Classic, solvent, 85kV with 15m cable and control unit
79520-12102	VECTOR R90 Classic, water-based paint, 85kV with 10m cable, control unit and 10m isolated material hose package
79520-22302	VECTOR R90 Classic Electrostatic handgun, water-based paint, 85kV with 15m cable, control unit and 15m isolated material hose package

Control unit - Cascade

Part no.	Description
80131-212	9060 LV3 Low voltage, Cascade 65kV, Low Pressure
80131-312	9060 LV3 Low voltage, Cascade 85kV, Low Pressure
80131-512	9060 LV3, Low voltage, Cascade 85kV, Water

Control unit - Classic

Part no.	Description
80130-212	9060 HV3 High voltage, Classic 65kV, Low Pressure
80130-312	9060 HV3 High voltage, Classic 85kV, Low Pressure
80130-512	9060 HV3 High voltage, Classic 85kV, Water



Air cap Selection Table

Part no.	Nozzle Ø In mm		
	1.4	1.8	Round spray
79374-65	●	●	
79374-98	●	●	
79542-00			●

Fluid Tip selection table

Part no.		Part no. Stainless steel
1.4	Nozzle	79377-44
1.8	Nozzle	79377-45
Round spray	Nozzle	79544-00
	Separately retaining ring	79379-00
	Pressure reducer (black)	74963-05

Hoses - Cascade

Part no.	Description
VEC-CA-10	Low Pressure Air and Fluid hose - 10m with protective sleeve and connectors
VEC-CA-15	Low Pressure Air and fluid hose - 15m with protective sleeve and connectors
VEC-CA-20	Low Pressure Air and fluid hose - 20m with protective sleeve and connectors
VEC-CA-30	Low Pressure Air and fluid hose - 30m with protective sleeve and connectors

Hoses - Classic

Part no.	Description
VEC-CL-10	Low Pressure Air and Fluid hose - 10m with protective sleeve and connectors
VEC-CL-15	Low Pressure Air and Fluid hose - 15m with protective sleeve and connectors

Vector LP Recommended Spares & Accessories



70430-01
Hi-Flex Electrode for Vector LP



79465-85
Barrel for Vector R90 Classic



79476-00
Gun Handle for Vector LP



79310-00
Air Valve for Vector LP



79469-00
Barrel for Vector R70 Cascade



79529-00-K5
Disposable gun covers for Vector LP



59972-00
Dielectric grease 4 x 1oz tubes for Vector LP



76633-00-L-K12
Conductive gloves pack of 12

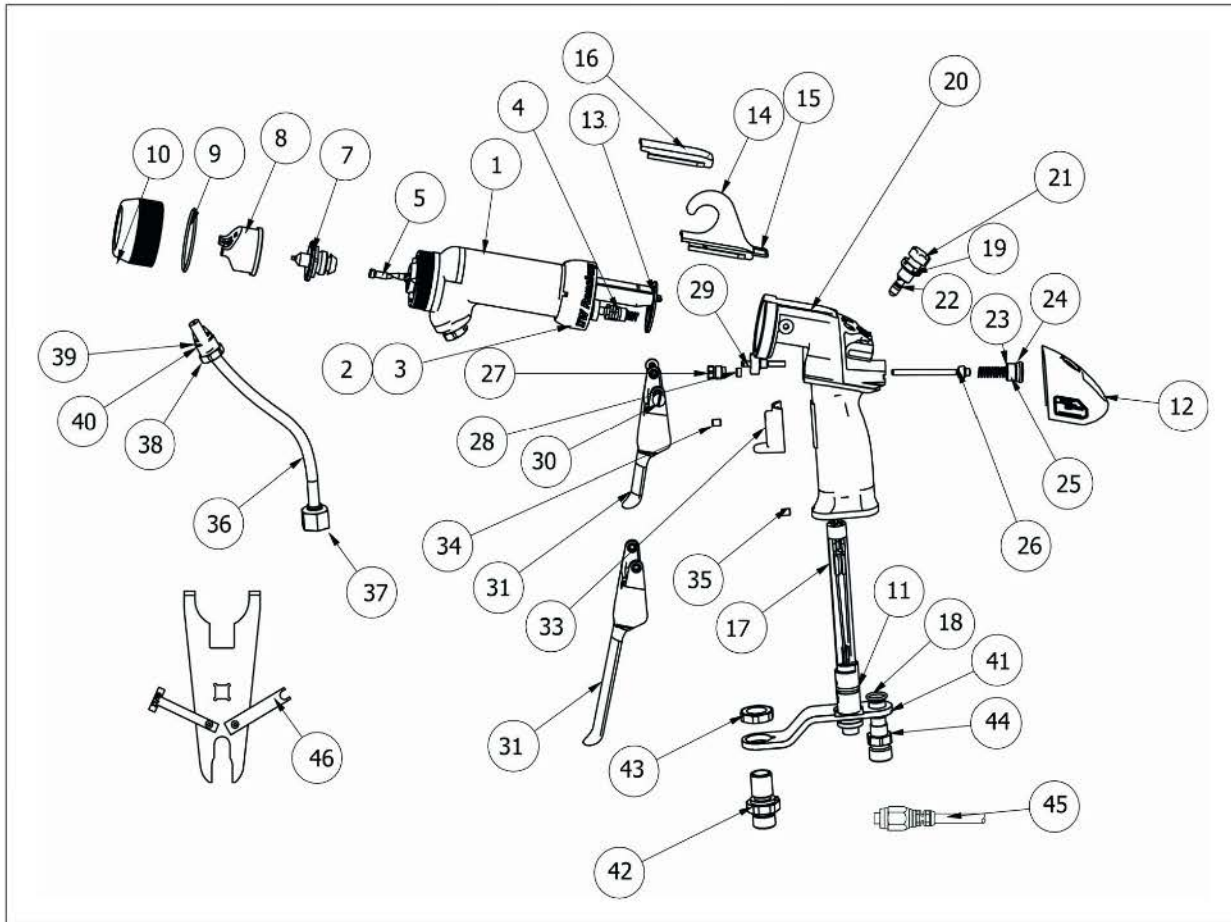


11775-10
Protection hose 30mm grey for Vector LP



11775-05
Protection hose 55mm grey for Vector LP

Vector Cascade



Spare Parts

Ref.	Part no.	Description
1	79468-00	R90 Barrel
	79469-00	R70 Barrel
2	79373-00	Barrel retaining nut
3	75326-00	Retaining ring
4	79599-01	Needle shaft R90, 2K Packings
	79599-02	Needle shaft R70, 2K Packings
5	74963-05	Restrictor, standard
7	79377-45	Nozzle, standard, see table
8	79374-65	Air cap, 65V Standard, see table
9	LSOR0005-17	O-ring, PTFE black
10	79379-00	Nozzle retaining ring
11	79001-09	O-ring, solvent-resistant
12	79471-01	Rear cover assembly
13	79378-00	Barrel cover gasket
14	79322-00	Hook
15	79479-00	O-ring, solvent-resistant
16	79322-11	Hook
17	79460-03	Plug assembly
18	79001-08	O-ring, solvent-resistant
19	79001-07	O-ring, solvent-resistant
20	79476-00	Gun handle
21	79445-10	Fan air adjust assembly
22	79001-16	O-ring, solvent-resistant
23	17130-00	Return spring
24	79001-31	O-ring, solvent-resistant
25	79453-00	Air valve cap
26	79310-00	Air valve
27	78635-00	Retaining nut
28	10051-05	Seal

Ref.	Part no.	Description
29	79560-00	Trigger stop
30	79454-00	Trigger retention screw
31	79325-02	2 finger trigger bracket
32	79325-04	4 finger trigger bracket
33	79324-00	Handle piece, finger form
34	19603-08F	Screw
35	19603-10F	Screw
36	9704-16	Paint tube 3,2 mm ID
37	3587-03	Union nut
38	79385-00	Nut
39	EMF-202-05	Sleeve before
40	EMF-203-05	Sleeve back
41	79439-00	Bracket 45°
42	70442-00	Material inlet
43	10553-05	Hex. Nut
44	18847-01	Air inlet 1/4"
45*	79338-10	Low-voltage cable 10m
46	19749-00	Gun spanner
47	72315-00	Conductive ferrule
48	6241-06	Fluid fitting
49	7787-03	Swivel fitting

* Other cable lengths are available on request.



Vector AA90 Cascade

Part no.

79580-12202	VECTOR AA90 Cascade, 85kV with 10m cable and control unit
79580-22202	VECTOR AA90 Cascade, 85kV with 15m cable and control unit



Vector AA90 Classic

Part no.

79581-12202	VECTOR AA90 Classic, 85kV with 10m cable and control unit
79581-22202	VECTOR AA90 Classic, 85kV with 15m cable and control unit

Control unit - AA90 Cascade

Part no.	Description
80131-412	9060 LV3 Low Voltage, Cascade AA High Pressure

Control unit - Classic

Part no.	Description
80130-412	9060 HV3 Hi Voltage, Classic AA, High Pressure



Fluid Tip selection table

Pattern Width /Inches/(mm)	5(127)	8(203)	10(254)	13(330)	15(381)	17 (432)
Bore Ø Inches/(mm)	Part no. 79691-....					
0.009 (.23)	0509	-	1009	-	-	-
0.011 (.28)	0511	0811	1011	1311	1511	-
0.013 (.33)	0513	0813	1013	1313	1513	-
0.015 (.38)	-	-	1015	1315	1515	1715
0.018 (.46)	-	-	1018	1318	1521	-
0.021 (.53)	-	-	1021	-	-	-

79691-1015 tip supplied as standard

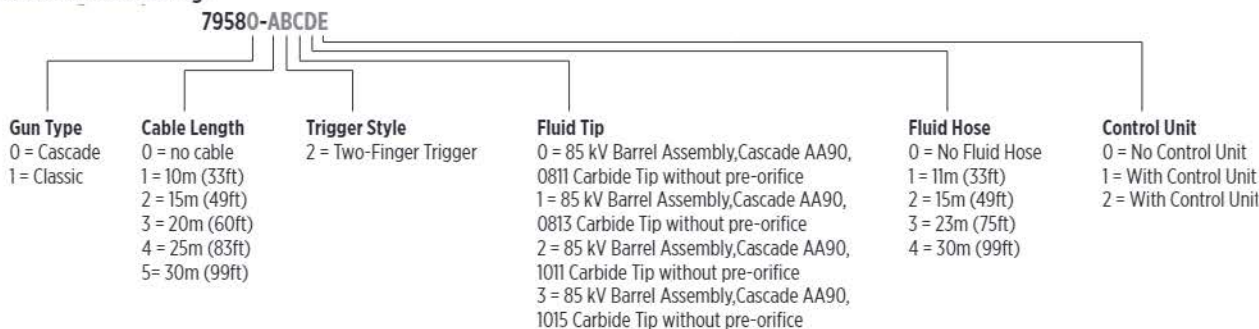
Hoses - Cascade

Part no.	Description
VECAA-CA-10	High Pressure Air and Fluid Hose - 10m with protective sleeve and connectors
VECAA-CA-15	High Pressure Air and Fluid Hose - 15m with protective sleeve and connectors

Hoses - Classic

Part no.	Description
VECAA-CL-10	High Pressure Air and Fluid Hose - 10m with protective sleeve and connectors
VECAA-CL-15	High Pressure Air and Fluid Hose - 15m with protective sleeve and connectors

Gun Kit Part Numbering:



Vector HP AA90 Recommended Spares & Accessories



79476-01
Gun Handle for Vector HP AA90



79310-00
Air Valve for Vector HP AA90



79574-01
Valve Seat for Vector HP AA90



79668-00
Fluid tip assembly for Vector HP AA90



10051-05
Spring loaded cup seal for Vector HP AA90



7720-01-K3
Paint Filter, Standard .005" spacing 100 mesh



79529-00-K5
Disposable gun covers for Vector HP AA90



59972-00
Dielectric grease 4 x 1oz tubes for Vector HP AA90

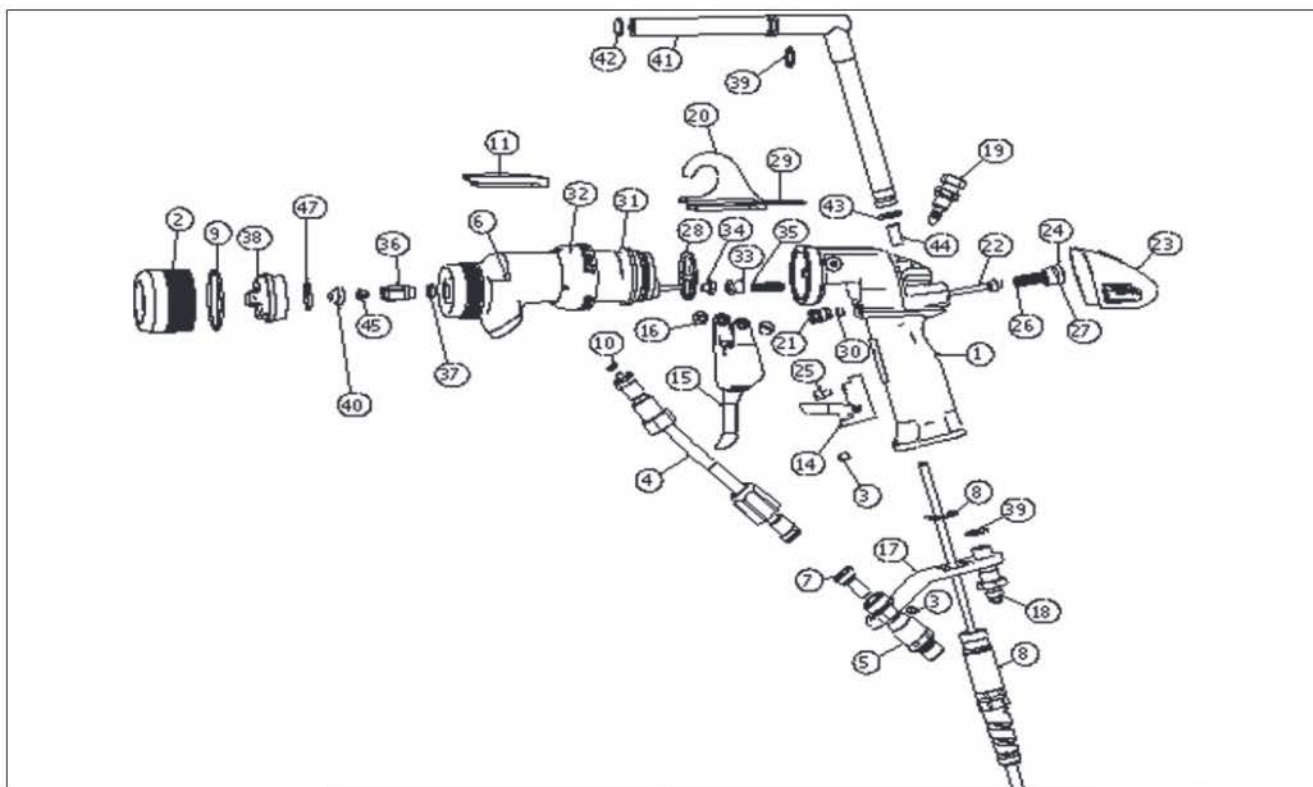


76633-00-L-K12
Conductive gloves pack of 12



11775-10
Protection hose 30mm grey for Vector HP AA90

Vector AA90 Classic



Spare Parts

Ref.	Part no.	Description
1	79476-01	Handle assembly
2	79568-00	Retaining ring, air assist
3	19603-08F	Set screw, cup point
4	77096-00	Fluid tube assembly
5	76105-00	High pressure swivel
6	79584-00	Assembly, barrel, AA90 Classic with needle, retaining ring & resistor tube
	79583-00	Barrel assembly
7	7720-01-K3	Filter paint, .005 web spacing, 100 Mesh (Fine)
	7720-02-K3	Filter paint, .009 web spacing, 60 mesh (coarse)
8	79519-10	Cable assembly, high voltage, 10m*
9	LSOR0005-17	O-ring, PTFE encapsulated
10	72375-02	Seal, PTFE
11	79322-11	Hook
14	79638-00	Trigger Lock Assembly
15	79325-02	2 finger trigger bracket
16	79454-00	Trigger retention screw (2 required)
17	79570-00	Bracket, support, offset
18	74189-00	Air inlet fitting
19	79566-10	Fan click adjust
20	79322-00	Hook
21	78635-00	Air valve retaining ring
22	79310-00	Rod assembly, dual stage air valve
23	79471-11	Rear housing assembly

Ref.	Part no.	Description
24	79453-00	Air cap retaining ring
25	8301-08C	SHCS
26	17130-00	Return spring
27	79001-31	O-ring, solvent proof
28	79378-00	Gasket,
29	79479-00	O-ring, cord
30	10051-05	Spring loaded cup seal
31	75326-00	Retaining ring
32	79373-00	Retaining barrel nut
33	78633-00	Spring retainer, needle shaft
34	78623-00	Locking nut, needle shaft
35	78824-00	Spring
36	79668-00	Valve seat assembly
37	72375-03	Seal, PTFE
38	79695-00	Air cap assembly
39	79001-08	O-ring, solvent proof
40	79691-XX	Carbide Tip Assemblies, see table
41	70397-02	Resistor housing, potted
42	14061-05	Conductive sponge
43	79001-07	O-ring, solvent proof
44	14061-08	Conductive sponge
45	79634-00-K3	Carbide tip seal, pack of 3
47	LSOR0005-11	O-ring, PTFE encapsulated
48	79642-00	Cap removal tool

*Other cable lengths are available on request



No. 2 gun

Part no.	
NO-2-501A	Electrostatic hand spray gun with 7.5 m high-voltage cable, 7.5 m paint and air hose 1/4", bell 4" (max. yield 120 ccm)
NO-2-601A	NO-2-501 Electrostatic hand spray gun complete with high-voltage generator Classic, air filter regulator and integrated hose package 7.5 m
NO-2-701A	NO-2-601 Electrostatic hand spray unit cart mounted, with gun holder and pressure cup 10 l, galvanized
19372-25N	NO-2 Electrostatic hand spray gun with 4" bell and cable package



Estaquick

Part no.	
AEMD-600-FW-800	Estaquick gun, 1.6 mm nozzle
AEMD-600-FX-800	Estaquick gun, 1.1 mm nozzle
AEMD-600-FF-800	Estaquick gun, 1.4 mm nozzle
AEMD-4500-6	Machine adapter
AEMD-426X	Robot Adapter
AEMD-4250	Simple Robot Adaptor
80143-221	9060 LV Controller



Evolver 560

Part no.	
A13758-0XXXXX	Evolver 560, Single Head 60°
A13758-2XXXXX	Evolver 560, Dual Head 60°
A13758-1XXXXX	Evolver 560, Single Head 90°
A13758-3XXXXX	Evolver 560, Double Head 90°
A13613-0014121210	Micropak 2E Controller for Evolver 560



Aerobell 168



Part no.	
A13350-011301020301001	Aerobell 168 65mm applicator complete with dual flex, machine mounting. No HV control/HV cable
A13350-031302020301001	Aerobell 168 30mm applicator complete with dual flex, machine mounting. No HV control/HV cable
A13350-011301020301251	Aerobell 168 65mm applicator complete with dual flex, machine mounting with HV control/7.5m HV cable
A13350-031302020301251	Aerobell 168 30mm applicator complete with dual flex, machine mounting with HV control/7.5m HV cable
80143-XXX	9060 LV Controller



Aerobell 268

Part no.	
A13657-XX01000XX	Aerobell 268 65mm applicator complete with dual flex, machine mounting. 3 Colour/3 Dump (8 Valve)
A13657-XX01002XX	Aerobell 268 65mm applicator complete with dual flex, machine mounting. 1 Colour/1 Dump (4 Valve)
A13657-XX03000XX	Aerobell 268 30mm applicator complete with dual flex, machine mounting. 3 Colour/3 Dump (8 Valve)
A13657-XX03002XX	Aerobell 268 30mm applicator complete with dual flex, machine mounting. 1 Colour/1 Dump (4 Valve)
80143-XXX	9060 LV Controller



RMA-560 Direct Charge

Part no.	
A13782-0503211205221	RMA560 65mm Dual flex shape air kit and single purge valve manifold assembly
A13838-XX	Tubing bundle direct charge - required for RMA-560 installation
A13613-XX	MicroPak 2e controller - required for RMA-560 installation



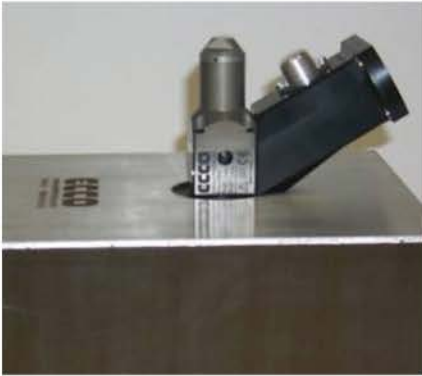
RMA660/U660/U670/U680

Part no.	
A13082-01	POA
A13082-02	POA



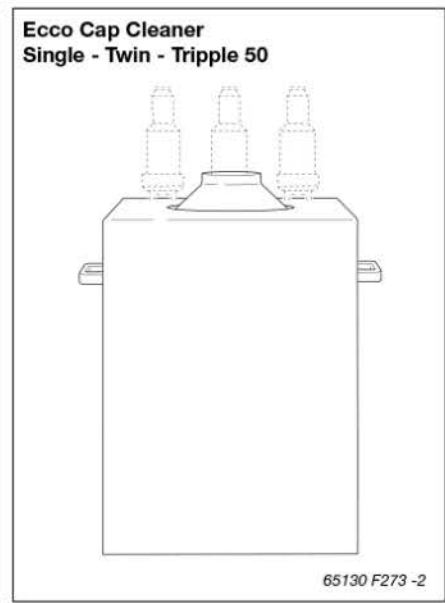
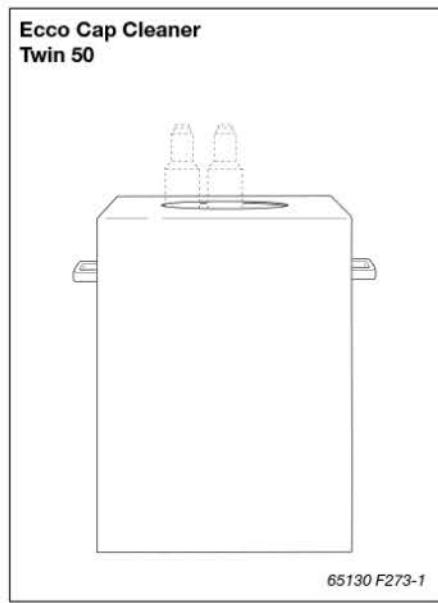
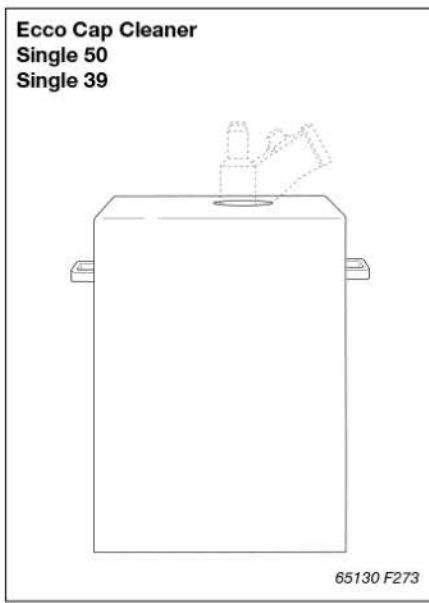
Electrostatic Accessories

Part No.	Description
CCV-71XX-XXX	Colour Valve Assembly (other designs on request)
CCV-61XX-XXX	Colour Select System (other designs on request)
A10800-XXXXXX	MCV2 Valve Assemblies
A10993-XXXXXX	MCV2D Colour Change System
76652-03	Electrostatic test and measuring device
76652-04	Electrostatic test and measuring device Deluxe
LEPS-6010-01	Voltage Master 2 HV Package
A11515	Pulsetrack 2 Speed control and monitoring system



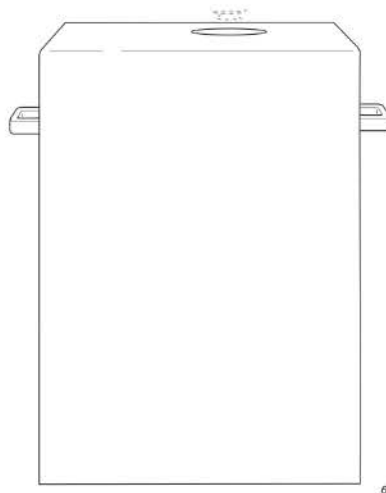
Cap Cleaner

Part no.	Description
6004 0101 00	Cap Cleaner
6004 0101 39	Cap Cleaner



Bell Cleaner

Part no.	Description
6004 0101 54	Bell Cleaner
6004 0101 56	Bell Cleaner



Pressure Feed Tanks and Cups



Part No.	Capacity		Description	Agitator type	Pressure max.	
	Litres	Gallons (US)			bar	(psi)
KB-522	2	0.5	Remote Cup aluminium	-	2.1	30
KB-622	2	0.5	Remote Cup aluminium incl. hose	-	2.1	30
KB-522-SS	2	0.5	Remote Cup stainless steel	-	2.1	30
80-600-CE	2	0.5	Steady-Grip stainless steel pressure cup with non-stick coating	-	0.7	10*
83C-210-CE	10	2.8	Zinc plated - carbon steel	-	5.5	80
83C-211-CE	10	2.8	Zinc plated - carbon steel	D	5.5	80
83Z-210-CE	10	2.8	Stainless steel lid and st st fluid passage	-	5.5	80
83Z-211-CE	10	2.8	Stainless steel lid and st st fluid passage	D	5.5	80
183S-210-CE	10	2.8	Fully stainless steel - electroplated	-	7.6	110
183S-211-CE	10	2.8	Fully stainless steel - electroplated	D	7.6	110
183S-212-CE	10	2.8	Fully stainless steel - electroplated	M	7.6	110
183S-213-CE	10	2.8	Fully stainless steel - electroplated	I	7.6	110
183S-1010-CE	40	11.8	Fully stainless steel - electroplated	-	7.6	110
183S-1012-CE	40	11.8	Fully stainless steel - electroplated	M	7.6	110
183S-1013-CE	40	11.8	Fully stainless steel - electroplated	I	7.6	110
183G-1010-CE	40	11.8	Galvanized - carbon steel	-	7.6	110
183G-1012-CE	40	11.8	Galvanized - carbon steel	M	7.6	110
183G-1013-CE	40	11.8	Galvanized - carbon steel	I	7.6	110
183S-1510-CE	60	19.8	Fully stainless steel - electroplated	-	7.6	110
183S-1512-CE	60	19.8	Fully stainless steel - electroplated	M	7.6	110
183S-1513-CE	60	19.8	Fully stainless steel - electroplated	I	7.6	110

- without agitator **D** = direct drive pneumatic agitator **M** = manual agitator **I** = Indirect air motor drive agitator

Pressure Tanks Recommended Spares & Accessories



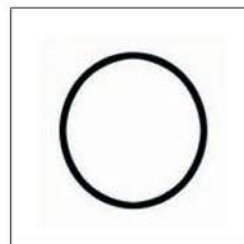
PT-78-K60
Disposable Tank Liners - 10 Litres Pack of 60 - Single use



PTL-412-K8
Disposable Tank Liners - 40 Litres Pack of 8 - Single use



PT-78-K10
Disposable Tank Liners - 10 Litres Pack of 10 - Single use



QM-1458-1
Lid Gasket for 40 & 60 Litre Tanks



HAR-511
Air Regulator



183-3000
Bottom Outlet Kit for 10 litre tanks



183-3001
Bottom Outlet Kit for 40 & 60 litre tanks



QMS-436
2 Gun Connector

* Kit 80-619 available to convert Steady Grip to High Pressure (50 PSI/3.5 Bar)

Please note when ordering pressure tanks please add -B to the part number if you require BSP fittings



QS-575



QMS-431-CE



QMS-430-CE



31-452-CE

Binks/DeVilbiss Pneumatic Agitators

Part no.	Description
41-3312	25L ST ST Agitator assembly, 1 propeller, 80 mm diameter, shaft length 350 mm
41-3312-S	25L ST ST Agitator assembly, 1 propeller, 80 mm diameter, shaft length 305 mm
QS-PS80TP20L	205L ST ST Agitator assembly, 2propeller, 200 mm diameter, shaft length 800 mm with IEC 71 Geared Pneumatic drive - long life
QS-PS80TP20K	205L ST ST Agitator assembly, 2propeller, 200 mm diameter, shaft length 800 mm with Geared Pneumatic drive
QS-576-H	205L ST ST Direct Drive Agitator assembly for drum mounting, 1,500 r.p.m shaft length 760 mm
QS-575	205L ST ST Direct Drive Agitator assembly for drum mounting, 1,500 r.p.m, shaft length 900 mm
QS-574-H	205L ST ST Direct Drive Agitator assembly for drum mounting, 1,500 r.p.m, shaft length 1,135 mm

Agitators used on Binks Pressure Tanks

Part no.	Description
QMS-431-CE	10L Pressure Tank ST ST agitator assembly, 1 propeller, 172mm diameter, shaft length 406 mm (without drive)
QMS-433-CE	40L Pressure Tank ST ST agitator assembly, 1 propeller, 203 mm diameter, shaft length 635 mm (without drive)
QMS-434-CE	60L Pressure Tank ST ST agitator assembly, 1 propeller, 203 mm diameter, shaft length 889 mm (without drive)
QMS-430-CE	10L Pressure Tank ST ST agitator assembly
PT-419-CE	Replacement Agitator shaft and impellor used with PT-427-CE
PT-428	Replacement Agitator shaft and impellor used with PT-418-CE

Accessories

Part no.	Description
31-452-CE	Pressure Tank air motor agitator drive, 15:1 gear reduction, 166 RPM
31-124	205L Drum cover, diameter 609.6 mm includes 3 holes for components
PT-427-CE	Direct Drive Air Motor and adaptor for 83Z tanks
PT-418-CE	Direct Drive Air Motor and adaptor for 83C tanks



QS-ES100P30D

Binks Electric Agitators

Part no.	Description
QS-ES80TP20D	205L ST ST Agitator assembly, 2propeller, 200 mm diameter, shaft length 800 mm with IEC 71 Electric Inverter Drive
QS-ES100P30D	205L ST ST Agitator assembly, 1 propeller, 300 mm diameter, shaft length 1000 mm with IEC 71 Electric Inverter Drive
QS-ES40P12C	25L ST ST Agitator assembly, 1 propeller, 120 mm diameter, shaft length 400 mm with IEC 71 Electric Fixed Speed
QS-ES130TP30D	2 propellers and 1300mm shaft length
QS-ES80TP30D	300mm paddle diameter.

Premium Elevators 25L	Maximum Working Pressure 7 Bar (100 psi)	Air Inlet G1/2" BSPP Female	Stroke 500mm (19.7")	Maximum Drum Diameter Ø340mm (13.4")	Unit height (fully extended) 1378mm (54.3")	Weight 51kg (112 lbs)
------------------------------	--	---------------------------------------	--------------------------------	--	---	---------------------------------

Part No.	Controls		Lid	Agitator	Suction Hose/Pump	Hose Management	Optional Extras			
	Control Mount	Agitator Safety - Electric (E) or Pneumatic (P)	Controls - Agitator (A), Pump (P) or Both (AP)	25L Lid	Agitator	Agitator Type	ST ST Suction Tube	Pump	Coiled Hose	Flexible Conduit
DE-05BB	R/H	-	-	Blank						
DE-05CD06BN	R/H	P	A	Inspection Hatch	41-3312	Pneumatic Direct Drive	1/2"		Single 8mm	
DE-05DD06LP-02	R/H	P	AP	Inspection Hatch	41-3312	Pneumatic Direct Drive	1/2"	DX200SN-1	Double 8mm	1/2" BSPP ST ST Return Tube
DE-05KB	L/H	-	-	Blank						
DE-05PC11CL-00B	L/H	E	A	Inspection Hatch	QS-ES40PI2C	Electric Fix Speed	3/4"		Single 50mm	25L Drum positioning with proximity switch
DE-05DD06KP-02	R/H	P	AP	Inspection Hatch	41-3312	Pneumatic Direct Drive	3/4"	DX200AN-1	Double 8mm	1/2" BSPP ST ST Return Tube
DE-05DE06QP	R/H	P	AP	Small Hatch	41-3312	Pneumatic Direct Drive	1/2"	DX200-3SN-1	Double 8mm	
DE-05CD06AN	R/H	P	AP	Inspection Hatch	41-3312	Pneumatic Direct Drive			Single 8mm	
DE-05CD06BP	R/H	P	A	Inspection Hatch	41-3312	Pneumatic Direct Drive	1/2"		Double 8mm	



DE-05DD06LP-02

Premium Elevators 205L	Maximum Working Pressure 7 Bar (100 psi)	Air Inlet G1/2" BSPP Female	Stroke 955mm (37.6")	Maximum Drum Diameter Ø640mm (25.2")	Unit height (fully extended) 2268mm (89.3")	Weight 70kg (154 lbs)
-------------------------------	--	---------------------------------------	--------------------------------	--	---	---------------------------------

Part No.	Controls		Lid	Agitator		Suction Hose/Pump	Hose Management	Optional Extras		
	Control Mount	Agitator Safety - Electric (E) or Pneumatic (P)	Controls - Agitator (A), Pump (P) or Both (AP)	205L Lid	Agitator	Agitator Type	ST ST Suction Tube	Pump	Coiled Hose	Cable Carrier
DE-10BK	R/H	-	-	Blank						
DE-10MM03NF-04	L/H	P	AP	Insp. Hatch	QS-PS80TP20L	Pneumatic EU IEC Longlife	1/2"	DX200SN-1	Double 8mm	1/2" BSPP Return tube through lid
DE-10CLO2DE	R/H	P	A	Hatch + Reinforced	QS-PS80TP20K	Pneumatic	3/4"		Single 8mm	
DE-10CM05DE	R/H	P	A	Insp. Hatch	QS-576-H	Pneumatic Direct Drive	3/4"		Single 8mm	
DE-10PLO1EB	L/H	E	A	Hatch + Reinforced	QS-ES80TP20D	Electric EU IEC Inverter	1"			Yes
DE-10CLO2DD	R/H	P	A	Hatch + Reinforced	QS-PS80TP20K	Pneumatic EU IEC Standard	3/4"		Double 50mm Flexible Conduit	
DE-10BL00EC-04	R/H	-	-	Insp. Hatch			1"		Single 50mm Flexible Conduit	1/2" BSPP Return tube through lid
DE-10GL01PD-04	R/H	E	AP	Hatch + Reinforced	QS-ES80TP20D	Electric EU IEC Inverter	1/2"	DX200-3SN-1	Double 50mm Flexible Conduit	1/2" BSPP Return tube through lid



DE-10CM05DE

DX70 Air Operated 1:1 Ratio Diaphragm Pumps



DX70R-FF-3



DX70R3-CFG



DX70R3-TF



DX70R3-WF



DX70R3-PFA

Part no.	Description
DX70R-FF	Bare DX70 standard pump with fluid regulator, female inlet/outlet
DX70R-FF-3	Bare DX70 standard pump with fluid regulator, female inlet/outlet with 3 air regulators
DX70R-MM	Bare DX70 standard pump with fluid regulator, male inlet/outlet
DX70R-MM-3	Bare DX70 standard pump with fluid regulator, male inlet/outlet with 3 air regulators
DX70N-FF	Bare DX70 pump no fluid regulator, female inlet/outlet

Part no.	Description
DX70R3-CF	Cart mounted standard pump with fluid regulator
DX70R3-CF2	Cart mounted standard pump with fluid regulator, twin outlet
DX70N2-CF	Cart mounted pump no fluid regulator
DX70R3-CFG	Cart mounted standard pump with fluid regulator and 6L gravity hopper

Part no.	Description
DX70R3-TF	Tripod mounted standard pump with fluid regulator
DX70R3-TF2	Tripod mounted standard pump with fluid regulator, twin outlet
DX70N2-TF	Tripod mounted pump no fluid regulator
DX70R3-TFG	Tripod mounted standard pump with fluid regulator and 6L gravity hopper

Part no.	Description
DX70R3-WF	Wall mounted standard pump with fluid regulator
DX70R3-WF2	Wall mounted standard pump with fluid regulator, twin outlet
DX70N2-WF	Wall mounted pump no fluid regulator
DX70R3-WFG	Wall mounted standard pump with fluid regulator and 6L gravity hopper

Part no.	Description
DX70R3-PF	25 litre pail* mounted standard pump with fluid regulator
DX70N2-PF	25 litre pail* mounted pump no fluid regulator
DX70R3-PFA	25 litre pail* mounted standard pump with fluid regulator and agitator

* Pail not included

Pump Kit Part Numbering:

DX70X-XX-X





DX70R3-TF-FLG5

DX70 Spray Outfits with Guns

Part no.	Description
DX70R3-TF-FLG5	Tripod-mounted pump outfit with FLG5 Trans-Tech spray gun (1.4mm tip with 622 air cap)

Part no.	Description
DX70R3-TF-ADV	Tripod-mounted pump outfit with Advance HD Trans-Tech spray gun (1.4mm tip with 510 air cap)



DX70R3-TF-ADV

Part no.	Description
DX70R3-CF-FLG5	Cart-mounted pump outfit with FLG5 Trans-Tech spray gun (1.4mm tip with 622 air cap)

Part no.	Description
DX70R3-CF-ADV	Cart-mounted pump outfit with Advance HD Trans-Tech spray gun (1.4mm tip with 510 air cap)

The DX70 spray outfits are available with either Advance HD or FLG-5 Trans-Tech® or Conventional spray Outfits are delivered with 7.5 metres of air and fluid hoses and are ready to spray apart from connecting tanks and hoses as necessary.

DX70 Accessories & Spares Kits



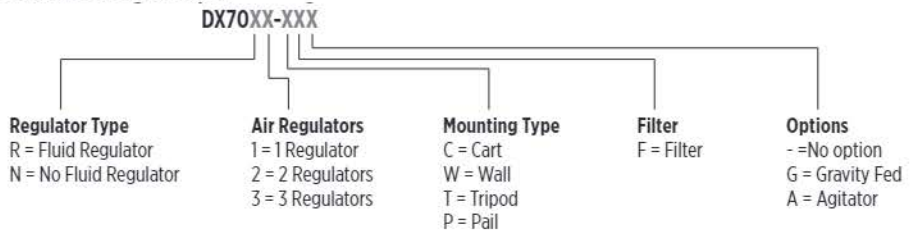
DX70R3-CF-FLG5

Part no.	Description
DXK-1	Check valve seals kit
DXK-2	Check valve spares kit
DXK-3	Diaphragm spares kit
DXK-4	Shaft & Seal spares kit
DXK-14	Air valve spares kit
DXK-15	Fluid regulator spares kit
41-3312-S	Agitator - 305mm shaft
DXA-AF	Air supply hose assembly for use with 41-3312-S agitator
DVX-116	DX70 Pail lid for use with 41-3312-S and DXA-AF, 330mm diameter
DXA-RP	Fluid regulator full pressure flush valve assembly



DX70R3-CF-ADV

Pump Kit Part Numbering:



DX70N-FF-2*

DX200 Aluminium	Pressure ratio 1:1	Volume per cycle 0.2 l	Max. flow capacity 12 l/min.	Operating pressure max. 7 bar	Material Aluminium
------------------------	------------------------------	----------------------------------	--	---	------------------------------

Bare DX200 Pump Air & Fluid Connections are:-

Air inlet connection: 1/4" Female BSPP/NPSM

Fluid Inlet connection: 3/4" Female BSPP

Fluid Outlet (pump) connection: 3/4" Female BSPP



DX200AN



DX200AR4-WF



DX200AR1-W

DX200 Aluminium Part No.	Bare Pump	Tripod Mounting	Wall Mounting	Cart Mounting	Pail Mounting	Pump Air Controls	Gun Air Controls	Fluid Regulator	Suction Hose	Gravity Hopper 6L	Fluid Filter*	Agitator	PU Balls & Seats
DX200AN	•												
DX200AN-W	•		•										
DX200AN-1	•					1							
DX200AM	•							M*					
DX200AR	•							•					
DX200AR-2	•					2		•					
DX200AR-3	•					3	1	•					
DX200AR3-C	•			•		2	1	•	•				
DX200AR3-CF	•			•		2	1	•	•		L		
DX200AR4-CF	•			•		2	2	•	•		L		
DX200AR3-T	•	•				2	1	•	•				
DX200AN1-W	•		•			1			•				
DX200AN22-W	•		•			1	1		•				
DX200AR2-W	•		•			2		•	•				
DX200AR3-W	•		•			2	1	•	•				
DX200AR3-WF	•		•			2	1	•	•		L		
DX200AR3-WFG	•		•			2	1	•	•	•	S		
DX200AN1-P	•				•	1							
DX200AR3-PFA	•				•	2	1				S	•	
DX200AEN1-C	•			•		1			•				•
DX200AEN1-W	•		•			1							•
DX200AEN22-C	•			•		1	1		•				•
DX200AEN22-W	•		•			1	1		•				•
DX200AN22-CF	•			•		1	1		•		L		
DX200AN22-WF	•		•			1	1		•		L		
DX200AN32-CF	•			•		1	2		•		L		
DX200AN32-WF	•		•			1	2		•		L		
DX200AR3-CFG	•			•		2	1		•	•	S		
DX200AR4-WF	•		•			2	2		•		L		

* Manual Fluid Regulator

L = Large Fluid Filter - DXA-F6ME100-200

S = Small Fluid Filter - DXA-F10ME100-200G/DXA-F10ME100-200P

DX200 ST ST	Pressure ratio	Volume per cycle	Max. flow capacity	Operating pressure max.	Material
	1:1	0.2 l	12 l/min.	7 bar	ST ST

Bare DX200 Pump Air & Fluid Connections are:-

Air inlet connection: 1/4" Female BSPP/NPSM

Fluid Inlet connection: 1/2" Female BSPP

Fluid Outlet (pump) connection: 1/2" Female BSPP



DX200SN



DX200SR3-T



DX200SR3-W

DX200 ST ST Part No.	Bare Pump	Wall Mounting	Cart Mounting	Pump Air Controls	Gun Air Controls	Fluid Regulator	Suction Hose	Gravity Hopper 6L	Fluid Filter*	Active Surge Chamber	PU Balls & Seats
DX200SN*	•										
DX200SN-W	•	•									
DX200SR	•										
DX200SR-3	•			2	1	•	•				
DX200SP22-CF	•		•	1	1		•		L	•	
DX200SR3-C	•		•	2	1	•	•				
DX200SR3-CF	•		•	2	1	•	•		L		
DX200SN1-W	•	•		1			•				
DX200SR2-W	•	•		2		•	•				
DX200SR2-WF	•	•		2		•	•		L		
DX200SR3-W	•	•		2	1	•	•				
DX200SR3-WF	•	•		2	1	•	•		L		
DX200SR3-WFG	•	•		2	1	•	•	•	S		
DX200SR4-WF	•	•		2	2	•	•		L		
DX200SP1-W	•	•		1			•			•	
DX200SP1-WF	•	•		1			•		L	•	
DX200SP22-WF	•	•		1	1		•		L	•	
DX200SEN1-C	•		•	1			•				•
DX200SEN1-W	•	•		1			•				•
DX200SEN22-C	•		•	1	1		•				•
DX200SEN22-W	•	•		1	1		•				•
DX200SEP1-W	•	•		1			•			•	•
DX200SEP22-C	•		•	1	1		•			•	•
DX200SEP22-W	•	•		1	1		•			•	•
DX200SR3-CFG	•		•	2	1	•	•	•	S		
DX200SR4-CF	•		•	2	2	•	•		L		
DX200SP22-CF	•		•	1	1		•		L	•	•
DX200SR-2	•			2		•					
DX200SN32-CF	•		•	1	2		•		L		
DX200SN32-WF	•	•		1	2		•		L		

L = Large Fluid Filter - DXA-F6ME100-200
S = Small Fluid Filter - DXA-F10ME100-200G

DX200 3:1	Pressure ratio	Volume per cycle	Max. flow capacity	Operating pressure max.	Material
	3:1	0.14 l	5.6 l/min.	21 bar	ST ST

DX200 Pump Air & Fluid Connections are:-
 Air inlet connection: 1/4" Female BSPP/NPSM
 Fluid Inlet connection: 1/2" Female BSPP
 Fluid Outlet (pump) connection: 1/2" Female BSPP



DX200-3SM1-C



DX200-3SN1-C



DX200-3SP1-C



DX200 3:1 ST ST Part No.	Bare Pump	Wall Mounting	Cart Mounting	Pump Air Controls	Manual Fluid Regulator	Suction Hose	Fluid Filter	Active Surge Chamber
DX200-3SM	•				•			
DX200-3SM1-W	•	•		1	•	•		
DX200-3SM1-WF	•	•		1	•	•	•	
DX200-3SM1-C	•		•	1	•	•		
DX200-3SM1-CF	•		•	1	•	•	•	
DX200-3SN	•							
DX200-3SN1-W	•	•		1		•		
DX200-3SN1-WF	•	•		1		•	•	
DX200-3SN1-C	•		•	1		•		
DX200-3SN1-CF	•		•	1		•	•	
DX200-3SP	•							•
DX200-3SP1-W	•	•		1		•		•
DX200-3SP1-WF	•	•		1		•	•	•
DX200-3SP1-C	•		•	1		•		•
DX200-3SP1-CF	•		•	1		•	•	•



1" Transfer pump

Part no.	Material	Pressure ratio
41-818820	Aluminium	1:1



1" Transfer pump

Part no.	Material	Pressure ratio
41-818822	Stainless Steel	1:1



1 1/2" Transfer pump

Part no.	Material	Pressure ratio
41-818810	Stainless Steel	1:1



Maple 15/3 pump

Part no.	Material	Configuration	Pressure ratio
104009-N	Stainless Steel	With 3/4" NPT Fittings	3:1
104009-CBI	Stainless Steel	Bottom Inlet, Top Outlet, Centred	3:1
104009-BI	Stainless Steel	Bottom Inlet	3:1
104009-F	Stainless Steel	Foot Mounted	3:1
104009	Stainless Steel		3:1



Maple 15/3 AFP pump

Part no.	Material	Pressure ratio
104129	Stainless Steel	3:1

Suitable for pigging systems



Maple 15/6 pump

Part no.	Material	Pressure ratio
104205	Stainless Steel	6:1



Maple 15/6 pump

Part no.	Material	Pressure ratio
104205	Stainless Steel	6:1



Maple 30/3 pump

Part no.	Material	Configuration	Pressure ratio
104010	Stainless Steel		3:1
104010-N	Stainless Steel	With 1" NPT Fittings	3:1
104010-CM	Stainless Steel	Centred Inlet/Outlet	3:1



Maple 60/3 pump

Part no.	Material	Configuration	Pressure ratio
104020-M2	Stainless Steel		3:1
104020-BI	Stainless Steel	Bottom Inlet	3:1



Maple 120/3

Part no.	Material	Configuration	Pressure ratio
104265-HE	Stainless steel		3:1
104265-PE	Stainless steel		3:1

Maple 7/7 pump

Part no.	Material	Pressure ratio
104040	Stainless Steel	7:1

Maple 7/15 pump

Part no.	Material	Pressure ratio
104041	Stainless Steel	15:1
104147	ST ST for acids	15:1

Maple 8/25 pump

Part no.	Material	Pressure ratio
104042	Stainless Steel	25:1



Maple 15/25

Part no.	Material	Configuration	Pressure ratio
104266-HE	Stainless steel	Standard Air Exhaust	25:1
104266-PE	Stainless steel	Ready For Piped Air Exhaust	25:1

Maple 7/15 Paint Stripper Acid pump outfit

Part no.	Material	Pressure ratio	Package Contents
104149	Stainless Steel	15:1	1 x gun outlet and 25l suction lance
104150	Stainless Steel	15:1	2 x gun outlets and 25l suction lance
104151	Stainless Steel	15:1	1 x gun outlet and 205l suction lance
104152	Stainless Steel	15:1	2 x gun outlets and 205l suction lance



Maple 3/36 Bare pump and packages with Trophy AA gun

Cart Mounted

Part No.	Hose	Suction Tube
104267-CP1	15M / 49ft	25 L / 5 gal
104267-CP2	15M / 49ft	205 L / 55 gal
104267-CP3	7.5M / 24ft	25 L / 5 gal
104267-CP4	7.5M / 24ft	205 L / 55 gal

Bare Pump

Part No.
104267

Wall Mounted

Part No.	Hose	Suction Tube
104267-WP1	15M / 49ft	25 L / 5 gal
104267-WP2	15M / 49ft	205 L / 55 gal
104267-WP3	7.5M / 24ft	25 L / 5 gal
104267-WP4	7.5M / 24ft	205 L / 55 gal



Maple 15/3 Packages

Part No.	Manual Fluid Regulator	Wall Mounting	Cart Mounting	Filter	25L Suction Lance	Air Regulators
104207		•			•	1
104208			•		•	1
104209			•	•	•	1
104210		•		•	•	1
104211	•	•			•	1
104212	•		•		•	1
104213	•		•	•	•	1
104214	•	•		•	•	1
104215*			•	•	•	1



* Uses the Maple 15/3 AFP Pump



E2-7 Smart pump

Part No.	Max. Fluid Pressure	Max. Inlet Pressure	Fluid Output @ 80hz (40 cycles/min)	PRV Equipped
104199	20 bar	2 bar	7 l/min	104167



E2-15 Smart pump

Part No.	Max. Fluid Pressure	Max. Inlet Pressure	Fluid Output @ 80hz (40 cycles/min)	PRV Equipped
104017	20 bar	2 bar	15 l/min	104167



E2-15 AFP Smart pump

Part No.	Max. Fluid Pressure	Max. Inlet Pressure	Fluid Output @ 80hz (40 cycles/min)	PRV Equipped
104125	20 bar	2 bar	15 l/min	N/A

Suitable for pigging systems



EV2-15

Part no.	Max. Fluid Pressure	Max. Inlet Pressure	Fluid Output @ 80hz (40 cycles/min)	PRV Equipped
104274	20 bar	2 bar	14 l/min	



E2-30 Smart pump

Part No.	Max. Fluid Pressure	Max. Inlet Pressure	Fluid Output @ 80hz (40 cycles/min)	PRV Equipped
107071	20 bar	2 bar	30 l/min	104201



EV2-30 Vertical Smart Pump

Part No.	Max. Fluid Pressure	Max. Inlet Pressure	Fluid Output @ 80hz (40 cycles/min)	PRV Equipped
104226	20 bar	2 bar	30 l/min	104168



E2-40 Smart pump

Part No.	Max. Fluid Pressure	Max. Inlet Pressure	Fluid Output @ 80hz (40 cycles/min)	PRV Equipped
107093	16 bar	2 bar	40 l/min	104168



E2-60 Smart pump

Part No.	Max. Fluid Pressure	Max. Inlet Pressure	Fluid Output @ 80hz (40 cycles/min)	PRV Equipped
104085	20 bar	2 bar	60 l/min	104168



E4-60 Smart pump

Part No.	Max. Fluid Pressure	Max. Inlet Pressure	Fluid Output @ 80hz (40 cycles/min)	PRV Equipped
107070	20 bar	2 bar	60 l/min	104111-E4



E4-100 Smart pump

Part No.	Max. Fluid Pressure	Max. Inlet Pressure	Fluid Output @ 80hz (40 cycles/min)	PRV Equipped
104233	20 bar	2 bar	100l/min	104253-E4

MXL 12/05	Pressure ratio	Volume per cycle	Max. flow capacity	Operating pressure max.	Piston stroke
	5:1	72 cm ³	12 l/min.	39 bar	75 mm

The MXL12/05 consists of air motor AX55S and fluid pump FX12.

These pumps are supplied with PTFE/UHMWPE pump packings as standard for further options please see service bulletin.

MXL Pump Air & Fluid Connections are:-

Air inlet connection: 3/8" Female BSP

Fluid Inlet connection: 1/2" Male NPS

Fluid Outlet (pump) connection: 3/8" Male NPS/BSP

Fluid outlet on supplied adaptor/H.P. filter: 1/4" Male NPS

Supply for AAA: Ø 8x6mm hose push fit



MXL1205PU

MX Lite Part No.	Nominal Flow Rate	Packings	Wall Mounting	Cart Mounting	Controls	Suction Hose	Fluid Filter	AA4400M Gun + Hose
MXL1205UCU	4.3 l/m	U-Cups/UHMWPE						
MXL1205UCU-C-AC	4.3 l/m	U-Cups/UHMWPE		•	AAA	•		
MXL1205UCU-C-ACG	4.3 l/m	U-Cups/UHMWPE		•	AAA	•		•
MXL1205UCU-C-F-AC	4.3 l/m	U-Cups/UHMWPE		•	AAA	•	•	
MXL1205UCU-C-F-ACG	4.3 l/m	U-Cups/UHMWPE		•	AAA	•	•	•
MXL1205UCU-W-AC	4.3 l/m	U-Cups/UHMWPE	•		AAA	•		
MXL1205UCU-W-ACG	4.3 l/m	U-Cups/UHMWPE	•		AAA	•		•
MXL1205UCU-W-F-AC	4.3 l/m	U-Cups/UHMWPE	•		AAA	•	•	
MXL1205UCU-W-F-ACG	4.3 l/m	U-Cups/UHMWPE	•		AAA	•	•	•

Pump Kit Part Numbering:

MXL1205A-B-C-D

A - Packings

UC = U-Cups

UCU = U-Cups/UHMWPEPE

B - Mounting Type

C = Cart

W = Wall

C - Options

= No Filter

F = Filter

D - Technology

AC = Air Assisted Airless Controls

ACG = AAA with AA4400M Spray Gun + 7.5 m hoses

MXL12/43

MXL12/43 Part No.	Nominal Flow Rate	Tripod Mounting	Wall Mounting	Cart Mounting	Controls	Suction Hose	Gravity Hopper 6L	Fluid Filter	AA4400M Gun + Hose	A75 Gun + Hose
MXL432PU-W-F-ACG	1.4 l/m		•		AAA	•		•	•	
MXL1231PU-C-F-AC	4.3 l/m			•	AAA	•				
MXL1231PU-C-F-ACG	4.3 l/m			•	AAA	•		•	•	
MXL432PU-T-ACG	1.4 l/m	•			AAA	•			•	
MXL432PU-T-FG-ACG	1.4 l/m	•			AAA		•	•	•	
MXL1231PU-W-F-ACG	4.3 l/m		•		AAA	•	•			
MXL1231PU-W-F-AC	4.3 l/m		•		AAA	•		•		
MXL432PU-C-F-ACG	1.4 l/m			•	AAA	•		•	•	
MXL1231PU-W-F-ALG	4.3 l/m			•	Airless	•		•		•
MXL432PU-T-ACG	1.4 l/m	•			AAA	•			•	
MXL432PU-W-F-ACG	1.4 l/m		•		AAA	•		•	•	
MXL432PU-T-FG-ACG	1.4 l/m	•			AAA		•	•	•	
MXL432PU-C-F-ACG	1.4 l/m			•	AAA	•		•	•	
MXL432PU-C-F-AC	1.4 l/m			•	AAA	•		•		

MX35/36

Pressure ratio	Volume per cycle	Max. flow capacity	Operating pressure max.	Piston stroke
36:1	220 cm ³	6.6 l/min. (30 cycles/min)	288 bar	127 mm



MX22036PU-CAH-WAL



MX22036PU-CAH-CAL

The MX35/36, consists of air motor AX200L-8 and fluid pump FX220. These pumps are supplied with PTFE/UHMWPE pump packings as standard for further options please see service bulletin.

MX Pump Air & Fluid Connections are:-

Pump Air inlet connection: 1/2" Female BSP

Connection for AAA: Ø 8x6mm plastic hose connector or 3/8" BSP Female

Fluid outlet on the H.P. filter: 1/4" NPS Male

Each pump outfit consists of:

- MX35/36 HP Pump
- Wall or Cart Mounted Fitting
- High Pressure ST ST Filter Assembly
- Airless or Air Assisted Airless Controls
- Flexible Suction Hose Assembly & Filter
- Ceramic Coated Piston Pumps
- Manual or Automatic Packing Adjustment
- Hex Nut Fluid Inlet Connection

Part No. - Wall Mounted	Controls	Material
MX22036PU-CMH-WAC	Air Assisted Airless	Carbon Steel
MX22036PU-SMH-WAC	Air Assisted Airless	Stainless Steel
MX22036PU-CAH-WAL	Airless	Carbon Steel
MX22036PU-SAH-WAL	Airless	Stainless Steel

Part No. - Cart Mounted	Controls	Material
MX22036PU-SAH-CAL	Airless	Stainless Steel
MX22036PU-SAH-CAC	Air Assisted Airless	Stainless Steel
MX22036PU-CAH-CAL	Airless	Carbon Steel
MX22036PU-CAH-CAC	Air Assisted Airless	Carbon Steel

Please see page 119 for AAA/Airless Hoses and pages 40 - 47 for AAA/Airless Guns

MX30/42	Pressure ratio	Volume per cycle	Max. flow capacity	Operating pressure max.	Piston stroke
	42:1	190 cm³	5.7 l/min. (30 cycles/min)	294 bar	127 mm

The MX30/42, consists of air motor AX200L-7 and fluid pump FX190.

These pumps are supplied with PTFE/UHMWPE pump packings as standard for further options please see service bulletin.

MX Pump Air & Fluid Connections are:-

Pump Air inlet connection: 1/2" Female BSP

Fluid outlet on the H.P. filter: 1/4" NPS Male

Each pump outfit consists of:

- MX30/42 HP Pump
- Wall or Cart Mounted Fitting
- High Pressure ST ST Filter Assembly
- Airless or Air Assisted Airless Controls
- Flexible Suction Hose Assembly & Filter
- Ceramic Coated Piston Pumps
- Manual or Automatic Packing Adjustment
- Hex Nut Fluid Inlet Connection



MX19042PU-CAH-WAL

Part No. - Wall Mounted	Controls	Material
MX19042PU-SAH-WAL	Airless	Stainless Steel
MX19042PU-CAH-WAL	Airless	Carbon Steel
MX19042PU-SMH-WAC	Air Assisted Airless	Stainless Steel
MX19042PU-CMH-WAC	Air Assisted Airless	Carbon Steel



MX19042PU-CAH-CAL

Part No. - Cart Mounted	Controls	Material
MX19042PU-SAH-CAL	Air Assisted Airless	Stainless Steel
MX19042PU-CAH-CAL	Airless	Carbon Steel
MX19042PU-CAH-CAC	Air Assisted Airless	Carbon Steel
MX19042PU-SMH-CAC	Air Assisted Airless	Stainless Steel
MX19042PU-CMH-CAC	Air Assisted Airless	Carbon Steel

MX35/60	Pressure ratio	Volume per cycle	Max. flow capacity	Operating pressure max.	Piston stroke
	60:1	220 cm ³	6.6 l/min. (60 cycles/min)	480 bar	127 mm

The MX35/60, consists of air motor AX260L and fluid pump FX220.

These pumps are supplied with PTFE/UHMWPE pump packings as standard for further options please see service bulletin.

MX Pump Air & Fluid Connections are:-

Pump Air inlet connection: 1/2" Female BSP

Fluid outlet on the H.P. filter: 1/4" NPS Male

Each pump outfit consists of:

- MX35/60 HP Pump
- Wall or Cart Mounted Fitting
- High Pressure ST ST Filter Assembly
- Airless or Air Assisted Airless Controls
- Flexible Suction Hose Assembly & Filter
- Ceramic Coated Piston Pumps
- Manual or Automatic Packing Adjustment
- Hex Nut Fluid Inlet Connection



MX22060PU-SAH-WAL



MX22060PU-SAH-CAL

Part No. - Wall Mounted	Controls	Material
MX22060PU-SAH-WAL	Airless	Stainless Steel
MX22060PU-CAH-WAL	Airless	Carbon Steel
MX22060PU-SMH-WAL	Airless	Stainless Steel
MX22060PU-CMH-WAL	Airless	Carbon Steel

Part No. - Cart Mounted	Controls	Material
MX22060PU-SAH-CAL	Airless	Stainless Steel
MX22060PU-CAH-CAL	Airless	Carbon Steel
MX22060PU-SMH-CAL	Airless	Stainless Steel
MX22060PU-CMH-CAL	Airless	Carbon Steel

MX30/70	Pressure ratio	Volume per cycle	Max. flow capacity	Operating pressure max.	Piston stroke
	70:1	190 cm³	5.7 l/min. (60 cycles/min)	490 bar	127 mm

The MX30/70, consists of air motor AX260L and fluid pump FX190.

These pumps are supplied with PTFE/UHMWPE pump packings as standard for further options please see service bulletin.

MX Pump Air & Fluid Connections are:-

Air inlet connection: 1/2" Female BSP

Fluid outlet on the H.P. filter: 1/4" NPS Male

Each pump outfit consists of:

- MX35/60 HP Pump
- Wall or Cart Mounted Fitting
- High Pressure ST ST Filter Assembly
- Airless or Air Assisted Airless Controls
- Flexible Suction Hose Assembly & Filter
- Ceramic Coated Piston Pumps
- Manual or Automatic Packing Adjustment
- Hex Nut Fluid Inlet Connection



MX19070PU-SAH-WAL



MX19070PU-SAH-CAL

Part No. - Wall Mounted	Controls	Material
MX19070PU-SMH-WAL	Airless	Stainless Steel
MX19070PU-CMH-WAL	Airless	Carbon Steel

Part No. - Cart Mounted	Controls	Material
MX19070PU-SAH-CAL	Airless	Stainless Steel
MX19070PU-CAH-CAL	Airless	Carbon Steel
MX19070PU-SMH-CAL	Airless	Stainless Steel
MX19070PU-CMH-CAL	Airless	Carbon Steel

Bare Pumps

Part No.	Pump	Ratio	Output per cycle	PTFE/UHMWPE Packings	PTFE/Leather Packings	PTFE Packings	U-Cups/UHMWPE	Stainless Steel	Carbon Steel
MXL1205UCU	MXL12/05	5:1	72cm ³				●	●	
MXL412PU	MXL4/12	12:1	24cm ³	●	●			●	
MXL412PL							●		
MXL412PP						●		●	
MXL432PU	MXL4/32	32:1	24cm ³	●	●			●	
MXL432PL							●		
MXL432PP						●		●	
MXL1212PU	MXL12/12	12:1	72cm ³	●	●			●	
MXL1212PL							●		
MXL1212PP						●		●	
MXL1231PU	MXL12/31	31:1	72cm ³	●	●			●	
MXL1231PL							●		
MXL1231PP						●		●	
MX12220PU-SMH	MX19/20	20:1	122cm ³	●				●	
MX12241PU-SMH	MX19/41	41:1	122cm ³	●				●	
MX12264PU-SMH	MX19/64	64:1	122cm ³	●				●	
MX22011PU-SAH	MX35/11	11:1	220cm ³	●				●	
MX88015PU-CMH	MX140/15	15:1	880cm ³	●					●
MX88015PU-SMH				●			●		
MX22023PU-CMH	MX35/23	23:1	220cm ³	●					●
MX22023PU-SAH				●			●		
MX88023PU-CMH	MX140/23	23:1	880cm ³	●					●
MX88023PU-SMH				●			●		
MX22036PU-CAH	MX35/36	36:1	220cm ³	●				●	
MX22036PU-SAH				●			●		
MX22036PL-CAH					●			●	
MX22036PL-SAH					●			●	
MX44030PU-CMH	MX70/30	30:1	440cm ³	●					●
MX44030PU-SMH				●			●		
MX19042PU-CAH	MX30/42	42:1	190cm ³	●					●
MX19042PU-SMH				●			●		
MX19042PL-CAH					●			●	
MX19042PL-SAH					●			●	
MX44046PU-CMH	MX70/46	46:1	440cm ³	●					●
MX44046PU-SMH				●			●		
MX22060PU-CAH	MX35/60	60:1	220cm ³	●				●	
MX22060PU-SAH				●			●		
MX22060PL-CAH					●			●	
MX22060PL-SAH					●			●	
MX19070PU-CAH	MX30/70	70:1	190cm ³	●					●
MX19070PU-SAH				●			●		
MX19070PL-CAH					●			●	
MX19070PL-SAH					●			●	

Air Motor Spare Parts Kits



Pump	Air Motor	Part No	Description
MX4/12 MXL12/05 MXL4/12	AX55S	0115-010216	Seal Kit
		0115-010214	Repair Kit
		0115-010226	Air Motor Valve Repair Kit
		0115-010213	Hardware Kit
MX4/32 MX12/12 MXL4/32 MXL12/12	AX85S	0115-010217	Seal Kit
		0115-010215	Repair Kit
		0115-010226	Air Motor Valve Repair Kit
		0115-010213	Hardware Kit
MX12/31 MXL12/31	AX140S	0115-010301	Repair Kit
		0115-010226	Air Motor Valve Repair Kit
		0115-010302	Seal Kit
MX35/36 MX30/42	AX200L	0115-010300	Hardware Kit
		250703	Seal Kit
		250702	Cylinder seal kit
		250649	Air Motor Valve Repair Kit
		250701	Hardware Kit
		250651	Exhaust Seal Kit
		250645	Seal Kit
MX35/35 MX35/60 MX30/70	AX260L	250648	Cylinder Seal Kit
		250649	Air Motor Valve Repair Kit
		250650	Hardware Kit
		250651	Exhaust Seal Kit
		194066	Motor Rod Kit



Fluid Pump Spare Parts Kits

Pump	Fluid Pump	Part No	Description		
MX4/12 MX4/32 MXL4/12 MXL4/32	FX4/FXL4	0115-010171	Upper packing mixed MX 432		
		0115-010206	Upper PTFE packing set MX 432		
		0115-010175	Upper packing FX4 PTFE/UHMWPE		
		0115-010173	Lower packing, MIXED MX432		
		0115-010207	Lower ptfе packing SET MX 432		
		0115-010177	Lower packg FX4 PTFE/UHMWPE		
		0115-010166	Upper packing cartridge		
		0115-010169	Lower packing		
		0115-010222	Repair kit FX4 PTFE/leather		
		0115-010224	Repair kit FX4 PTFE		
		0115-010388	FX4 Repair kit PTFE/UHMWPE		
		0115-010220	Repair kit FX4 U-Cups		
		0115-010221	Seal kit FX4, PTFE/leather		
		0115-010223	Seal kit FX4, PTFE		
		0115-010225	Seal kit FX4, PTFE/UHMWPE		
		0115-010219	Seal kit FX4 U-CUPS		
		MX12/12 MX12/31 MXL12/05 MXL12/12 MXL12/32	FX12/FXL12	0115-010261	Upper packing set PTFE/leather
				0115-010263	Upper packing set PTFE
				0115-010265	FX12 Upper packing PTFE/UHMWPE
0115-010262	Lower packing set PTFE/leather				
0115-010264	Lower packing set PTFE				
0115-010266	FX12 Lower packing PTFE/UHMWPE				
See 0115-010305	Packing, upper, UC				
See 0115-010305	Packing, lower, UC				
0115-010307	Repair kit FX12, PTFE/leather				
0115-010309	Repair kit FX12, PTFE				
0115-010387	FX12 Repair kit PTFE/UHMWPE				
0115-010305	Repair kit FX12, U-CUPS				
0115-010306	Seal kit FX12, PTFE/leather				
0115-010308	Seal kit FX12, PTFE				
0115-010303	Seal kit FX12 PTFE/UHMWPE				
0115-010304	Seal kit FX12, U-CUPS				
MX30/70 MX30/42	FX190	193508	Upper packing ASSY. PTFE/UHMW		
		193505	Upper packing ASSY. PTFE		
		193506	Packing, upper, PTFE/Leather		
		193507	Upper packing ASSY. UHMW		
		193772	Packing, upper, UHMWPE/Leather		
		193501	Lower packing ASSY. PTFE		
		193503	Lower packing ASSY. UHMW		
		193504	Lower packing ASSY. PTFE/UHMW		
		193502	Packing, lower, PTFE/Leather		
		193773	Packing, lower, UHMWPE/Leather		
		250662	Seal kit FOR FX190PU FL SEC		
		250663	Seal kit for FX190PU FL SEC		
		250670	Seal kit for FX190PP FL SEC		
		250671	Seal kit for FX190UU FL SEC		
		250690	Seal Kit, UHMWPE/Leather		
		250664	Repair Kit, PTFE/Leather		
		250665	Repair kit for FX190PU FL SEC		
		250672	Repair kit for FX190PP FL SEC		
		250673	Repair kit for FX190UU FL SEC		
		250691	Repair Kit, UHMWPE/Leather		



Fluid Pump Spare Parts Kits



Pump	Fluid Pump	Part No	Description
MX35/35 MX35/36 MX35/60	FX220	193296	Upper packing ASSY UHMW
		193303	Upper packing ASSY PTFE
		193308	Upper packing ASSY PTFE/LEATH
		193313	Upper packing ASSY PTFE/UHMW
		193294	Lower packing ASSY UHMW
		193305	Lower packing ASSY PTFE
		193310	Lower packing ASSY PTFE/LEATH
		193314	Lower packing ASSY PTFE/UHMW
		250658	seal kit for FX220PL FLUID
		250659	Seal kit for FX220PU FL SEC
		250666	Seal kit for FX220PP FL SEC
		250667	Seal kit for FX220UU FL SEC
		250660	Repair Kit, PTFE/Leather
		250661	Repair kit for FX220PU FL SEC
		250668	Repair kit for FX220PP FL SEC
250669	Repair kit for FX220UU FL SEC		



Standard/Flushable Surge Eliminators

Part no.	Inlet/Outlet Connection Fitting	Inlet/Outlet Connection Description	Maximum Fluid Pressure bar (psi)
104052-S	192723	1" Sanitary	16 (232)
104052-T	192724	3/4" NPT (Female)	16 (232)
104052-U	192725	3/4" BSPT (Female)	16 (232)

In-line Fluid Regulators



HGB-509-5-R38

Part no.	Manual control	Pneumatic control	Inlet pressure (min./max) bar (psi)	Outlet pressure (min./max) bar (psi)	Gauge bar (psi)
HGB-509-5-R38	●	-	2 (29)/12,5 (181)	1 (14)/5 (72)	-
HGB-609-1.2-R38	●	-	1 (14)/8 (116)	0.15 (2)/1.2 (17)	MA-25 2.5(35)
HGB-609-5-R38	●	-	2 (29)/12,5 (181)	1 (14)/5 (72)	83-2727 7(100)
HGB-609-9-R38	●	-	3/15 (217)	3 (43)/9 (130)	GA-288 11(160)
HGB-510-R1	-	●	2 (29)/15 (217)	0.5 (7)/15 (217)	-
HGB-510-R2	-	●	1 (14)/15 (217)	0.15 (2)/7	-
HGB-510-R4	-	●	1 (14)/15 (217)	0.15 (2)/4	-
84-598	-	●	2 (29)/15 (217)	0.5 (7)/15 (217)	-

Gun-Mounted Fluid Regulators



HGS-5112

Part no.	Manual control	Pneumatic control	Inlet pressure (min./max) bar (psi)	Outlet pressure (min./max) bar (psi)	Circulating	Inlet	Outlet
HGS-5132	-	●	3.5 (50)/20 (290)	0.14 (2)/7 (101)	-	1/8" NPT	3/8"
HGS-5112	-	●	3.5 (50)/20 (290)	0.14 (2)/7 (101)	●	1/4" NPS M	3/8"
HGS-5211	●	-	3.5 (50)/20 (290)	0.14 (2)/7 (101)	●	1/4" NPS M	Bay.
HGS-5222	●	-	3.5 (50)/20 (290)	0.14 (2)/7 (101)	●	3/8" NPS M	3/8"
HGS-5212	●	-	3.5 (50)/20 (290)	0.14 (2)/7 (101)	●	1/4" NPS M	3/8"
HGS-5239	●	-	3.5 (50)/20 (290)	0.14 (2)/7 (101)	-	3/8" NPS M	3/8"

Ransburg DR-1 Fluid Regulator



Part no.	Manual control	Air Pilot control	Ratio	Fluid Inlet pressure Max bar (psi)
74151-01	-	●	1:2	21 (300)
74151-02	-	●	1:4	21 (300)
74151-03	-	●	1:6	21 (300)
74151-04	-	●	1:8	21 (300)
74151-05	-	●	1:10	21 (300)
74151-06	-	●	1:3	21 (300)
74151-11	-	●	1:1	21 (300)

High Pressure In-line Fluid Regulator



Part no.	Manual control	Pneumatic control	Inlet pressure (min./ max) bar (psi)	Outlet pressure (min./max) bar (psi)
84-420*	●	-	206 (2987)	20.6 (298)/137.8 (1998)

Note: Optional pressure gauges are available for this item:-

84-491 - 69 bar/1000psi

101-3069 - 207 bar/3000psi



High Pressure/Back Pressure Pilot Controlled Regulators

Part no.	Manual control	Air Pilot control	Inlet pressure max bar (psi)	Outlet pressure (min./max) bar (psi)	Gauge bar (psi)
107906	-	●	350 (5100)	35-240 (500-3500)	167143 345 (5000)
107908 (Back Pressure)	-	●	350 (5100)	35-240 (500-3500)	167143 345 (5000)



Back Pressure Valves

Part no.	Manual control	Pneumatic control	Inlet pressure (min./max) bar (psi)	Outlet pressure (min./max) bar (psi)
84-404*	●	-	0.7 (10)/9.8 (142)	0.7 (10)/9.8 (142)
HGBR-609	●	-	2 (29)/12.5 (181)	9 (130)
84-601*	●	-	9 (130)	-

84-404

Note: Optional pressure gauges and riser tubes are available for these items:-
84-348 - Riser Tube
83-2744- Gauge 13 bar/200 psi.



Pilot Controlled and Manual Back Pressure Regulators

Part no.	Manual control	Air Pilot control	Inlet pressure (min./max) bar (psi)	Max Static Pressure bar (psi)
107755 (1 1/2")	-	●	1 (15)/15 (218)	25 (363)
107754 (1 1/2")	●	-	3 (44)/15 (218)	25 (363)
107758 (3/4")	-	●	3 (44)/15 (218)	25 (363)
107757 (3/4")	●	-	3 (44)/15 (218)	25 (363)



Active Flushable Surge Eliminators

Part no.	Inlet/Outlet Connection Fitting	Inlet/Outlet Connection Description	Maximum Fluid Pressure bar (psi)
104050-A-A	192553	M45 x Slip Flange Assembly	16 (232)
104050-B-B	192554	M45 x 2" Sanitary	16 (232)
104050-C-C	192555	M45 x 1 1/2" Sanitary	16 (232)
104050-D-D	192556	M45 x 1 1/2" NPT (Female)	16 (232)
104050-E-E	192557	M45 x 1 1/2" BSPT (Female)	16 (232)
104050-F-F	192258	M45 x 42mm Compression Coupling	16 (232)
104050-G-G	192559	M45 x 1 1/4" BSP (H)	16 (232)
104050-H-H	192560	M45 x 1 1/2" BSP (H)	16 (232)
104050-L-L	192564	M45 x 1" Sanitary	16 (232)



Standalone Active Surge Chambers

Part no.	Inlet/Outlet Connection Fitting	Inlet/Outlet Connection Description	Maximum Fluid Pressure bar (psi)
DXA-SC11B		1/2" BSPP F	7 (100)
DXA-SC31B		1/2" BSPP F	21 (305)



Can be ordered as a package with air reservoir and air intensifier regulator. Add 'P' after 104050. For example 104050P-L-L

Pump Outfit Accessories



0115-01079



104095



0115-010186



104084



0115-010100



0115-010664



DXA-AC3



MXA-C13ALM5-H34

Part No.	Description	Pump
0115-010179	Wall Bracket	MXL4/12 MXL4/32 MXL12/05 MXL12/12 MXL12/31
DVX-101	Wall Bracket	DX70/DX200
DVX-325	Wall Bracket	DX200-3

Please note fittings are not supplied with these wall brackets, please refer to the appropriate service bulletin.

Part No.	Description	Pump
104116	Wall Bracket	MX35/36 MX30/42
104095	Wall Bracket	MX35/60 MX30/70

Part No.	Description	Pump
0115-010186	Cart Assembly	MXL4/12 MXL4/32 MXL12/05 MXL12/12 MXL12/31, DX70, DX200, DX200-3

Part No.	Description	Pump
104136	Cart Assembly	MX35/36 MX30/42
104084	Cart Assembly	MX35/60 MX30/70

Part No.	Description	Pump
0115-010100	Tripod Assembly	MXL4/12 MXL4/32
DXA-T	Tripod Assembly	DX70 DX200

Please note fittings are not supplied with these tripod assemblies, please refer to the appropriate service bulletin

Part No.	Description	Pump
0115-010664	Air Controls - Air Assisted Airless	MXL4/12 MXL4/32 MXL12/12 MXL12/31
0115-010708	Air Controls - Airless	MXL4/32 MXL12/31
0115-010732	Air Controls - Air Assisted Airless x 2	MXL12/12 MXL12/31
DXA-AC1	Air Controls - Pump Only	DX70
DXA-AC2	Air Controls - Pump/Gun Air	DX70
DXA-AC3	Air Controls - Pump/Gun Air & Fluid Regulator	DX70
DXA-AC1-200	Air Controls - Pump Only	DX200
DXA-AC2-200	Air Controls - Pump & Fluid Regulator	DX200
DXA-AC3-200	Air Controls - Pump/Gun Air & Fluid Regulator	DX200
DXA-AC22-200	Air Controls - Pump/Gun Air	DX200
DXA-AC1-200-SC	Air Controls - Pump/Active Surge Chamber Take off	DX200S/DX200-3
DXA-GAC2	Air Controls - 2 x Gun Air	DX200
DXA-AC1-200-3	Air Controls - Pump Only	DX200-3

Part No.	Description	Dimensions	Pump
MXA-C13ALM5-H34	Air control regulator/filter - Airless	Inlet - 1/2"BSPP F, Outlet Hose - 3/4" BSPT	MX35/36 MX30/42 MX35/60 MX30/70
MXA-C13ACM5-H34	Air control regulator/filter - AAA	Inlet - 1/2"BSPP F, Outlet Hose - 3/4" BSPT	MX35/36 MX30/42 MX35/60 MX30/70



0110-009130



0115-010672

Part No.	Description	Dimensions	Pump
DXA-F10ME100	DX Fluid Filter	Inlet - 3/8" BSPP F, Outlet - 3/8" BSPP M MWP - 10 Bar	DX70
DXA-F10ME100-200G	DX In-line with Ball Valve	Inlet - 3/8" Male Universal, Outlet - 3/8" Male Universal MWP - 10 Bar	DX70 DX200
DXA-F6ME100-200	DX200 LP Filter Assembly	Inlet - 3/8" BSPP M, Outlet - 3/8" BSPP F MWP - 21 Bar	DX200
DXA-F6ME100-200S	DX200 LP ST ST Filter Assembly	Inlet - 3/8" BSPP M, Outlet - 3/8" BSPP F MWP - 21 Bar	DX200
DXA-F6ME100-200-3	DX200 3:1 LP Filter Assembly	Inlet - 3/8" BSPP M, Outlet - 3/8" BSPP F MWP - 21 Bar	DX200 3:1
107922-S-S	LP Small Recirculation Filter	Inlet - 1" Sanitary, Outlet - 1" Sanitary MWP - 21 Bar	Maple/Smart
107924-S	LP In-line Easi Flush Filter	Inlet - 1" Sanitary, Outlet - 1" Sanitary MWP - 21 Bar	Maple/Smart
0115-010711	HP Type 01 Fluid Filter	Inlet - 3/8" BSP F, Outlet - 1/4" NPS M MWP - 272 Bar	MXL4/12 MXL4/32 MXL12/12 MXL12/31
0110-009130	HP Type 03 Fluid Filter	Inlet - 3/8" BSP F, Outlet - 1/4" NPS M MWP - 272 Bar	MXL4/12 MXL4/32 MXL12/12 MXL12/31
0114-011760	HP Type 11 Fluid Filter	Inlet - M22 x 1.5 F, Outlet - 1/4" NPS M MWP - 500 Bar	MX35/36 MX30/42 MX35/60 MX30/70



0115-010696

Part No.	Description	Pump
0115-010672	Dump Valve Kit - 1/4" NPS F / 1/4" NPS M, MWP 272 Bar	MXL4/12 MXL4/32 MXL12/05 MXL12/12 MXL12/31
DXA-DVG	Dump Valve Kit for Gravity Feed Hopper - 1/4" BSPT M	DX70
DXA-DVT	Dump Valve Kit for Tripod/Pail - 1/4" BSPT M	DX70



0115-010701

Part No.	Description	Pump
0115-010696	Suction Hose - 25 Litre 30 Mesh - 1/2" BSP F	MXL4/12 MXL4/32 MXL12/12 MXL12/31
0115-010699	Tripod Suction Tube - 50 Mesh - 1/2" BSP F	MXL4/12 MXL4/32
MXA-S25ME30-DH114	Suction Hose - 25 Litre 30 Mesh - Dump Hose - 1 1/4" BSPT M	MX35/36 MX30/42 MX35/60 MX30/70
MXA-S210ME30-DH114	Suction Hose - 210 Litre 30 Mesh - Dump Hose - 1 1/4" BSPT M	MX35/36 MX30/42 MX35/60 MX30/70
DXA-S25ME15	Suction Tube and Hose - 25 Litre 15 Mesh - 3/8" BSP F	DX70 DX200
DXA-P25ME15	Tripod Suction Tube - 15 Mesh - 3/8" BSP F	DX70 DX200
DXA-S25-13S-ME15	Suction Tube and Hose - 25 Litre 15 Mesh - 1/2" BSP F	DX200-3



H-7507-75-SF

Part No.	Description	Pump
0115-010381	205L Stainless Steel Suction Hose Assembly Pump 3/4" Inlet	All MXL
0115-010701	Hopper 6L Kit - 1/2" Connection	All MXL
0115-010712	1/4" Return Hose for 0115-010701 Hopper	All MXL
DXA-TG	Hopper 6L Tripod Kit	DX70
DXA-WG	Hopper 6L Wall Kit	DX70
DXA-CG	Hopper 6L Cart Kit	DX70

Part No.	Description	Pump
H-7507-75-SF	SuperFlex Twin Hose Assembly 7.5M 1/8" bore Fluid MWP 270 Bar Air MWP 7.5 Bar	MXL4/12 MXL4/32
H-7507-150 SF	SuperFlex Twin Hose Assembly 15M 1/8" bore Fluid MWP 270 Bar Air MWP 7.5 Bar	MXL4/12 MXL4/32
H-7507-75	Twin Hose Assembly 7.5M 3/16" bore Fluid MWP 256 Bar Air MWP 7.5 Bar	All MXL
H-7507-150	Twin Hose Assembly 15M 3/16" bore Fluid MWP 256 Bar Air MWP 7.5 Bar	All MXL



Part No.	Description	Pump
H-5850	1.8 m Airless whip end 1/4" bore with 1/4" NPS connectors (500 Bar)	MX35/36 MX30/42 MX35/60 MX30/70
H-5851	1 m Airless whip end 3/16" bore with 1/4" NPS connectors (500 Bar)	MX35/36 MX30/42 MX35/60 MX30/70
H-5852	15 m Airless hose assembly 1/4" bore with 1/4" NPS connectors (500 Bar)	MX35/36 MX30/42 MX35/60 MX30/70
H-5853	15 m Airless hose assembly 3/8" bore with 3/8" NPS connectors (500 Bar)	MX35/36 MX30/42 MX35/60 MX30/70
74-011/1	1/4" x 1/4" D.M nipple to join 2 x 1/4" NPT HP hoses	MX35/36 MX30/42 MX35/60 MX30/70
74-012/1	1/4" x 3/8" D.M nipple to join 1/4" NPS x 3/8" NPT HP hoses	MX35/36 MX30/42 MX35/60 MX30/70
502696/800	Convolute PTFE with Wire Support Metallic Braided Hose Assembly with 1 1/2" Sanitary Fittings - 800mm	Maple 30/3, Maple 60/3, E2-30, E2-40, E2-60 Smart Pump
502696/1500	Convolute PTFE with Wire Support Metallic Braided Hose Assembly with 1 1/2" Sanitary Fittings - 1500mm	Maple 30/3, Maple 60/3, E2-30, E2-40, E2-60 Smart Pump
502812	Convolute PTFE with Wire Support Metallic Braided Hose Assembly with 1 1/2" Sanitary Fittings - 1000mm	Maple 30/3, Maple 60/3, E2-30, E2-40, E2-60 Smart Pump
502868	Convolute PTFE with Wire Support Metallic Braided Hose Assembly with 1" Sanitary Fittings - 600mm	Maple 15/3



0115-010705

Part No.	Description	Pump
0115-010705	Adapter - check valve to hose connection (for use when no filter present) 3/8" NPS F - 1/4" NPS M	All MXL
DXK-219	Adapter 3/4" BSP M - 3/8" BSP M	DX200
DXK-218	Adapter 3/4" BSP M - 3/8" BSP F	DX200
192779	Exhaust Adapter 1" NB Hose	All Maple
192803	Exhaust Plug	All Maple
192532	1" Sanitary - 1 1/2" BSPT F Adapter	Maple 15/3
193114	1" Sanitary - 3/4" BSP	Maple 15/3, E2-15
192820	Exhaust Tube Adapter (1/1/4" NB)	Maple 30/3, 60/3, 7/15, 8/25
192009	1" & 1 1/2" Sanitary Clamp	All Maple, All Smart
192544	2" Sanitary Clamp	Smart E4-60
192206	1" & 1 1/2" Sanitary Gasket	All Maple, Smart E2-15
192008	1 1/2" Sanitary Gasket	Smart E2-30, E2-40, E2-60
192029	2" Sanitary Gasket	Smart E4-60



0114-016099

Part No.	Description	Pump
0114-016099	Lubricating Oil - Solvent Based 0.25L	All MX Pumps
0114-016100	Lubricating Oil - Water Based 0.25 L	All MX Pumps
0114-014871	Lubricating Oil - Water Based 0.5 L	All MX Pumps
0114-009433	Lubricating Oil - Solvent Based 0.5 L	All MX Pumps
AGMD-010	Grease -50ml	All Maple Pumps
502373	Grease gun for cam follower & main bearings	All Smart Pumps
502375	Grease for cam follower & main bearings	All Smart Pumps
502514	Grease gun for linear bearings	Smart E2-30, E2-40, E2-60
502376	Grease for linear bearings	Smart E2-30, E2-40, E2-60



192509

Part No.	Description	Pump
192509	Silencer - 1 1/2" BSP	MX35/36 MX30/42 MX35/60 MX30/70



193381

Part No.	Description	Pump
193381	Optional hose storage bracket for cart & wall assembly	MX35/36 MX30/42 MX35/60 MX30/70

Part No.	Description	Pump
502769	Maple Bellows Tool	Maple 7/15/30
502770	Maple Bellows Tool	Maple 20 Smart E2-20
502883	Maple 60/3 Shaft Bearing Press	Maple 60/3



104111

Part No.	Description	Pump
192800	Smart Card	All Smart Pumps
192547	Pressure Transducer (0-25 bar)	All Smart Pumps
502144	Pressure Switch (2-40 bar)	All Smart Pumps
192720	Sensor Manifold	All Smart Pumps
502501	BPR Control box	All Smart Pumps

Part No.	Description	Operating Pressure	Pump
104167	Pressure Relief Valve	22 Bar (320 PSI)	Smart E2-7 & E2-15
104201	Pressure Relief Valve	16 Bar (232 PSI)	Smart E2-40
104168	Pressure Relief Valve	22 Bar (232 PSI)	Smart E2-30 & E2-60
104111-E4	Pressure Relief Valve	22 Bar (232 PSI)	Smart E4-60
104111	Foot Mounted Pressure Relief Valve	22 Bar (320 PSI)	Smart Pump - Retro Fitting - See Table Below for fitting

Part No.	Description
192554	Inlet/Outlet Fitting 2" Sanitary for 104111 Foot Mounted Pressure Relief Valve
192555	Inlet/Outlet Fitting 1 1/2" Sanitary for 104111 Foot Mounted Pressure Relief Valve
192556	Inlet/Outlet Fitting 1 1/2" NPT Female for 104111 Foot Mounted Pressure Relief Valve
192557	Inlet/Outlet Fitting 1 1/2" BSPT Female for 104111 Foot Mounted Pressure Relief Valve
192558	Inlet/Outlet Fitting 42mm Compression Coupling DIN2353 for 104111 Foot Mounted Pressure Relief Valve
192564	Inlet/Outlet Fitting 1" Sanitary for 104111 Foot Mounted Pressure Relief Valve

Smart Pump Retro Fit Kit Part No.	Smart Pump	PRV	New Sanitary Elbow to be Installed		
			1	2	3
250757	E2-15	104167	194590	194589	194589
250758	E2-30	104168	194591	194591	194591
250759	E2-40	104201	194591	194594	194594
250760	E2-60	104168	194593	194591	194591
250788	E4-60	104111-E4	192791	194930	194931
194900	E2-15	104167	All manifolds and elbows included		
194901	E2-30	104168	All manifolds and elbows included		
194902	E2-40	104201	All manifolds and elbows included		
194903	E2-60	104168	All manifolds and elbows included		
194942	E4-60	104111-E4	All manifolds and elbows included		



DXA-SC11P

Part No.	Description	Pump
DXA-SC11P	1:1 Pump Mount Active Surge Chamber	DX200 S
DXA-SC31P	3:1 Pump Mount Active Surge Chamber	DX200-3
DXA-SCRO.6	Active Surge Chamber 0.6l Air Reservoir	DX200 S
DXA-SCRI.0	Active Surge Chamber 1l Air Reservoir	DX200-3
DXA-SCF	Active Surge Chamber Air Feed Connector	DX200 S/DX200-3

Can be ordered as a package with air reservoir and air intensifier regulator. Add 'P' after 104050. For example 104050P-L-L



Part No.	Description	Pump
DVX-407	Manual Regulator Assembly	DX200SR
DVX-411	Manual Regulator Assembly	DX200-3
DVX-312	Non Regulated Body 1/2" Mounting Fitting- Requires DVX-241	DX200-3
DVX-241	Outlet Seal for DVX-312	DX200-3

HP Filter Elements



0114-014876

HP Filter Elements	Type 01 - 0115-010711	Type 03 - 0110-009130	Type 11 - 0114-011760
Mesh	Part no.	Part no.	Part no.
30 mesh	0114-014916	-	0114-014917
50 mesh	0114-014887	0110-009131	0114-014886
70 mesh	0114-014876	-	0114-014884
100 mesh	0114-014875	0110-009132	0114-014883
150 mesh	0114-014877	0110-009133	0114-014882
200 mesh	-	0110-009134	0114-014881

LP Filter Elements for DXA-F10ME100 filter



VS-58

LP Filter Elements	VS-58 - DXA-F10ME100	
Mesh	Part no.	Pack Size
60 mesh	VS-58-60	1
100 mesh	VS-58	1
100 mesh	VS-58-K10	10

LP Filter Elements for DXA-F6ME100-200/DXA-F6ME100-200-3/107922/107923/107924 filters



194549

Mesh	Pack of 1		Pack of 3		Pack of 12	
	Part No.		Part No.		Part No.	
15 mesh	194546		194546-K3		194546-K12	
30 mesh	194547		194547-K3		194547-K12	
60 mesh	194548		194548-K3		194548-K12	
100 mesh	194549		194549-K3		194549-K12	
150 mesh	194550		194550-K3		194550-K12	
200 mesh	194551		194551-K3		194551-K12	
300 mesh	194552		194552-K3		194552-K12	
400 mesh	194553		194553-K3		194553-K12	
500 mesh	194554		194554-K3		194554-K12	
600 mesh	194555		194555-K3		194555-K12	
1250 mesh	194556		194556-K3		194556-K12	



Suction Tube Strainer

Suction Tube Strainer		Ø 59 mm
	Part no.	Price
20 mesh	0114-014112	£5.70
50 mesh	0114-014068	£6.50
70 mesh	0114-014221	£6.50

0114-014221



Cartridge Filter Housing

Part No.	Description	Connection	Price
107874 5"	Cartridge Filter Housing	1" BSP	£649.30
107875 5"	Cartridge Filter Housing	1" Sanitary connections	p.o.a
107871 10"	Cartridge Filter Housing	1" BSP	£649.30
107870 10"	Cartridge Filter Housing	1" Sanitary connections	£864.70
107868 10"	Cartridge Filter Housing	1 1/2" Sanitary connections	
107873 20"	Cartridge Filter Housing	1" Sanitary connections	
107869 20"	Cartridge Filter Housing	1 1/2" Sanitary connections	



Air and Fluid Hoses (Low Pressure)

Part no.	Description	Bore
H-7501	5/16" bore air hose red rubber - per metre	5/16" (8mm)
H-7502	3/8" bore air hose red rubber - per metre	3/8" (9.5mm)
H-7503	1/4" bore fluid hose black - per metre	1/4" (6mm)
H-7504	3/8" bore fluid hose black - per metre	3/8" (9.5mm)
H-7501-150M	5/16" bore air hose red rubber - 150M reel*	5/16" (8mm)
H-7502-150M	3/8" bore air hose red rubber - 150M reel*	3/8" (9.5mm)
H-7503-150M	1/4" bore fluid hose black - 150M reel*	1/4" (6mm)
H-7504-150M	3/8" bore fluid hose black - 150M reel*	3/8" (9.5mm)
170177	1/4" bore fluid hose clear - per metre	1/4" (6mm)
170236-10	1/4" bore twin hose clear - 10M	1/4" (6mm)
170236-50	1/4" bore twin hose clear - 50M	1/4" (6mm)
170236-100	1/4" bore twin hose clear - 100M	1/4" (6mm)

* We cannot guarantee one continuous length per hose reel.



3 Piece re-usable Connectors

Part no.	Bore	Connector
P-HC-4523	1/4" (6mm)	1/4" NPS
P-HC-4527	5/16" (8mm)	1/4" NPS
P-HC-4528	3/8" (9.5mm)	1/4" NPS
P-HC-4543	1/4" (6mm)	3/8" NPS
P-HC-4548	3/8" (9.5mm)	3/8" NPS

Hose Connectors

Part No.	Type	Bore	Connector Thread size & Type			
			1/4" BSP	1/4" NPS	3/8" BSP	3/8" NPS
H-7501	5/16" bore air hose red rubber	5/16" (8mm)	P-HC-4527	P-HC-4527-F	-	-
H-7502	3/8" bore air hose red rubber	3/8" (9.5mm)		P-HC-4528		P-HC-4548
H-7503	1/4" bore fluid hose black	1/4" (6mm)		P-HC-4523		P-HC-4543
H-7504	3/8" bore fluid hose black	3/8" (9.5mm)		P-HC-4528		P-HC-4548
170177	1/4" bore clear fluid hose	1/4" (6mm)		6x10-14-SS (without spring)		6x10-38-SS (without spring)
			191357(with spring)	6X10-14-SG (with spring)	191358 (with spring)	6x10-38-SG(with spring)

Ready Made (Low Pressure) Hose Assemblies

Part no.	Hose Assembly Description	1.2M	1.45M	3.5M	5M	6M	7.5M	8M	10M	15M
H-7501HA-XX*	5/16" bore air hose red rubber complete with 1/4" universal connectors	-	-	-	-	-	-	-	-	-
H-7502HA-XX*	3/8" bore air hose red rubber complete with 1/4" universal connectors	-	-	-	-	-	-	-	-	-
H-7503HA-XX*	1/4" bore fluid hose black rubber complete with 3/8" universal connectors	-	-	-	-	-	-	-	-	-
H-7504HA-XX*	3/8" bore fluid hose black rubber complete with 3/8" universal connectors	-	-	-	-	-	-	-	-	-
207960	Single clear hose assembly with 1/4" fittings one end and 3/8" other end	-	-	-	-	-	-	-	-	-
501719	Single clear hose assembly with 1/4" fittings one end and 3/8" other end	-	-	-	-	-	-	-	-	-
501675	Single clear hose assembly with 1/4" fittings one end and 3/8" other end	-	-	-	-	-	-	-	-	-
501311	Single clear hose assembly with 1/4" fittings one end and 3/8" other end	-	-	-	-	-	-	-	-	-
207948	Twin clear hose assembly with 1/4" fittings one end and 3/8" other end	-	-	-	-	-	-	-	-	-
207947	Twin clear hose assembly with 1/4" fittings one end and 3/8" other end	-	-	-	-	-	-	-	-	-
501371	Twin clear hose assembly with 1/4" fittings one end and 3/8" other end	-	-	-	-	-	-	-	-	-

Hose Assembly Part number example - To complete the part number, add the length required - i.e.: H-7501HA-15 = H-7501 hose assembly complete with 1/4" universal connection - 15m length

Note: All hoses include an outer conductive cover to comply with ATEX & CE legislation.



Airless Hose Assembly, (High Pressure)

Length	Bore	Connection	Pressure max.	Part no.
1m	3/16"	1/4"	350 bar	H-5811
1m	1/8"	1/4"	350 bar	H-5837
1m	1/4"	1/4"	500 bar	H-5851
1.8m	1/4"	1/4"	500 bar	H-5850
7.5m	3/16"	1/4"	350 bar	H-5813
7.5m	1/4"	1/4"	310 bar	H-5818
7.5m	1/4"	1/4"	500 bar	H-5706-75
10m	3/16"	1/4"	350 bar	H-5813-10
10m	1/4"	1/4"	325 bar	H-5818-10
15m	1/4"	1/4"	325 bar	H-5819
15m	1/4"	1/4"	500 bar	H-5852
15m	3/8"	3/8"	500 bar	H-5853
20m	1/4"	1/4"	325 bar	12227-20
30m	1/4"	1/4"	325 bar	12227-30

Twin Hose Assembly, (High Pressure)

Part no.	Description
H-7507-75-SF	Twin Hose Assembly 7.5m with 1/8" bore air and fluid hoses with 1/4" NPS Connectors (270 Bar)
H-7507-150-SF	Twin Hose Assembly 15m with 1/8" bore air and fluid hoses with 1/4" NPS Connectors (270 Bar)
H-7507-75	Twin Hose Assembly 7.5m with 3/16" bore air and fluid hoses with 1/4" NPS Connectors (256 Bar)
H-7507-150	Twin Hose Assembly 15m with 3/16" bore air and fluid hoses with 1/4" NPS Connectors (256 Bar)

Quick Disconnect Fittings

Part no.	Description
MPV-5	Quick coupling shaft with 1/4 inch female thread connection (fits to spray gun inlets)
MPV-424	Quick coupling shaft with 1/4 inch male thread connection (fits to hose end)
MPV-10	Quick coupling shaft with 1/4 inch male thread connection
MPV-462	Quick coupling shaft with 1/4 inch female thread connection (fits to regulator valves)
MPV-463	Economy Pack, contains one specimen of each of the above parts
P-HC-4482	Quick coupling system - 3/8 inch BSP - fluid
QDL-4808	Quick coupling connection - fluid
SSQD-6B-316	Quick coupling system, SR 3/8 inch male thread
SS-STEM-6B-316	Quick coupling shaft, 3/8 inch female thread
190761	Quick coupling body (hose end)
201120	Quick coupling shaft (gun end) stainless steel



IntelliFlow RM2

Part No.	Description
RM2-11121	300 psi, 300cc Catalyst Pump, 1 Color
RM2-11111	300 psi, 600cc Catalyst Pump, 1 Color
RM2-11127	300 psi, 300cc Catalyst Pump, 7 Color
RM2-11117	300 psi, 600cc Catalyst Pump, 7 Color
RM2-21151	3,000 PSI, Pulse, 1 Color, 1 Catalyst
RM2-21153	3,000 PSI, Pulse, 3 Color, 1 Catalyst
RM2-21157	3,000 PSI, Pulse, 7 Color, 1 Catalyst
RM2-21159	3,000 PSI, Pulse, 7 Color, 2 Catalyst

Recommended Accessories

Part No.	Description
240-5199	Pedestal Stand Kit
240-5205-1	Gun Flush Box Kit, 1 Gun
240-5205-2	Gun Flush Box Kit, 2 Gun
240-5200	Two Gun Manifold Kit
240-5201	Catalyst Flow Sensor Kit
240-5202	Solvent Meter Kit
240-5203	Remote Color Change Kit, LP
240-5204	In-Booth Solvent Meter Kit
240-5206	In-Booth Fluid Panel Mounting Kit, LP
240-5143	Screen Protector Kit
240-5336	Two Gun Manifold Kit, High Pressure
240-5337	In-Booth Fluid Panel Mounting Kit, HP
310-4180	Wi-Fi Module

IntelliFlow RF2



Part No.	Description
RF2-LA2-01-01-S	Package, 300 psi, Auto, 2K, 1 color, 1 catalyst, standard
RF2-LA2-01-01-C	Package, 300 psi, Auto, 2K, 1 color, 1 catalyst, isocyanate
RF2-LA2-04-01-S	Package, 300 psi, Auto, 2K, 4 color, 1 catalyst, standard
RF2-LA2-04-01-C	Package, 300 psi, Auto, 2K, 4 color, 1 catalyst, isocyanate
RF2-LA2-07-02-S	Package, 300 psi, Auto, 2K, 7 color, 2 catalyst, standard
RF2-LA2-07-02-C	Package, 300 psi, Auto, 2K, 7 color, 2 catalyst, isocyanate
RF2-LA2-12-04-S	Package, 300 psi, Auto, 2K, 12 color, 4 catalyst, standard
RF2-LA2-12-04-C	Package, 300 psi, Auto, 2K, 12 color, 4 catalyst, isocyanate
RF2-HA2-01-01-S	Package, 3000 psi, Auto, 2K, 1 color, 1 catalyst, standard
RF2-LA1-01-01-S	Package, 300 psi, Auto, 1K, 1 color, 1 catalyst, standard
RF2-LM2-01-01-S	Package, 300 psi, Manual, 2K, 1 color, 1 catalyst, standard
RF2-LM2-04-01-S	Package, 300 psi, Manual, 2K, 4 color, 1 catalyst, standard
RF2-LM2-07-02-S	Package, 300 psi, Manual, 2K, 7 color, 2 catalyst, standard
RF2-LM2-12-04-S	Package, 300 psi, Manual, 2K, 12 color, 4 catalyst, standard
RF2-HM2-01-01-S	Package, 3000 psi, Manual, 2K, 1 color, 1 catalyst, standard

Recommended Accessories

Part No.	Description
310-2002	Floor Stand
HGB-510-R1-CO	HGB Inlet Pressure Regulator
240-5202	Solvent Flowmeter Kit
240-5204	In-booth Solvent Flowmeter Kit
310-8020	In-booth Fluid Panel Kit - 2 Channel Std
310-8021	In-booth Fluid Panel Kit - 3 Channel Std
310-8022	In-booth Fluid Panel Kit - 2 Channel Fiberoptic
310-8023	In-booth Fluid Panel Kit - 3 Channel Fiberoptic
310-8030	Screen Protector Kit
240-5205-1	Gun flush box kit, 1 gun
240-5205-2	Gun flush box kit, 2 gun
310-3905-SS	Air Cutoff Kit, 2 Guns
310-4180	Wi-Fi Module



Air Fed Visors

	Description	Part no.
PRO VISOR	Complete air fed visor kit with full mask and accessories	PROV-650

This unit is 'CE' marked to PPE Directive 89/686/EEC and conforms to EN 14594:2005 Class 3A. Please contact your CFT representative for suitability with electrostatic applications.

Pro-Air 1/2/3



	Outlets
Filter/compressed air regulator, air throughput max. 3,500 l/min. (up to 80°C)	2 adjustable
Fine filter/compressed air regulator coalescer, air throughput max. 900 l/min. (up to 80°C)	2 adjustable
Filter/compressed air regulator coalescer, air throughput max. 900 l/min. (up to 80°C)	2 adjustable

Finish Line Air Filter Regulators/Coalescers



Filter/compressed air regulator, air filtration down to 20 microns, high quality manufacture, airflow of 70cfm (at 7 bar -100 psi inlet pressure). Lockable and removable (tamperproof) control
Compact, low cost single operator filter regulator & coalescer, filtration down to 0.01 microns suitable for air mask or visor. Not suitable for low bake temperature
A 3/8" (port size) coalescing (fine oil) filter, Air filtration down to 0.01 microns suitable for air mask or visor, replacement filter element. Maximum working pressure 18 bar (260 psi)
High efficiency filter designed to remove dirt, liquid, oil and water from spraying and breathing air, filtration down to 0.01 microns plus activated carbon filter removing contaminants down to 0.003ppm



For medium to heavy viscosity materials
With adjustable spray gap

3/4" (19mm) clearance diameter,
0.062" tip supplied as standard

Supplied with 52-363 right angle spray tip

"Type C" - 360 degree circular spray

Length	Advance Conv.	Cobra 2	AG-362
6"	EXTADV-C-06	EXTCB2-C-06	EXT362-C-06
9"	EXTADV-C-09	EXTCB2-C-09	EXT362-C-09
12"	EXTADV-C-12	EXTCB2-C-12	EXT362-C-12
15"	EXTADV-C-15	EXTCB2-C-15	EXT362-C-15
18"	EXTADV-C-18	EXTCB2-C-18	EXT362-C-18
24"	EXTADV-C-24	EXTCB2-C-24	EXT362-C-24
27"	EXTADV-C-27	EXTCB2-C-27	EXT362-C-27
30"	EXTADV-C-30	EXTCB2-C-30	EXT362-C-30
36"	EXTADV-C-36	EXTCB2-C-36	EXT362-C-36
48"	EXTADV-C-48	EXTCB2-C-48	EXT362-C-48
60"	EXTADV-C-60	EXTCB2-C-60	EXT362-C-60
72"	EXTADV-C-72	EXTCB2-C-72	EXT362-C-72
84"	EXTADV-C-84	EXTCB2-C-84	EXT362-C-84



For low to medium viscosity materials
With adjustable spray gap

3/8" (9.5mm) clearance diameter

"Type SC" - 360 degree circular spray

Length	Advance Conv.	Cobra 2	AG-362
6"	EXTADV-SC-09	EXTCB2-SC-09	EXT362-SC-09
9"	EXTADV-SC-12	EXTCB2-SC-12	EXT362-SC-12
12"	EXTADV-SC-15	EXTCB2-SC-15	EXT362-SC-15
15"	EXTADV-SC-18	EXTCB2-SC-18	EXT362-SC-18
18"	EXTADV-SC-21	EXTCB2-SC-21	EXT362-SC-21
24"	EXTADV-SC-27	EXTCB2-SC-24	EXT362-SC-27
27"	EXTADV-SC-30	EXTCB2-SC-27	EXT362-SC-30
30"	EXTADV-SC-33	EXTCB2-SC-33	EXT362-SC-33
36"	EXTADV-SC-39	EXTCB2-SC-39	EXT362-SC-39
48"	EXTADV-SC-51	EXTCB2-SC-51	EXT362-SC-51
60"	EXTADV-SC-63	EXTCB2-SC-63	EXT362-SC-63
72"	EXTADV-SC-75	EXTCB2-SC-75	EXT362-SC-75
84"	EXTADV-SC-87	EXTCB2-SC-87	EXT362-SC-87



Forward round spray pattern
For low to medium viscosity materials using
0.078" fluid tip

7/16" (11mm) clearance diameter

"Type SA" - Forward round spray

Length	Advance Conv.	Cobra 2	AG-362
6"	EXTADV-SA-06	EXTCB2-SA-06	EXT362-SA-06
9"	EXTADV-SA-09	EXTCB2-SA-09	EXT362-SA-09
12"	EXTADV-SA-12	EXTCB2-SA-12	EXT362-SA-12
15"	EXTADV-SA-15	EXTCB2-SA-15	EXT362-SA-15
18"	EXTADV-SA-18	EXTCB2-SA-18	EXT362-SA-18
24"	EXTADV-SA-24	EXTCB2-SA-24	EXT362-SA-24
30"	EXTADV-SA-30	EXTCB2-SA-30	EXT362-SA-30
36"	EXTADV-SA-36	EXTCB2-SA-36	EXT362-SA-36
48"	EXTADV-SA-48	EXTCB2-SA-48	EXT362-SA-48
60"	EXTADV-SA-60	EXTCB2-SA-60	EXT362-SA-60
72"	EXTADV-SA-72	EXTCB2-SA-72	EXT362-SA-72
84"	EXTADV-SA-84	EXTCB2-SA-84	EXT362-SA-84



Supplied with 66BSSx63PB set up (fluid tip 0.046")

1 3/4" (44mm) clearance diameter

“Type EA” - Forward fan spray

Length	Advance Conv.	Cobra 2
6"	EXTADV-EA-06	EXTCB2-EA-06
9"	EXTADV-EA-09	EXTCB2-EA-09
12"	EXTADV-EA-12	EXTCB2-EA-12
15"	EXTADV-EA-15	EXTCB2-EA-15
18"	EXTADV-EA-18	EXTCB2-EA-18
24"	EXTADV-EA-24	EXTCB2-EA-24
30"	EXTADV-EA-30	EXTCB2-EA-30
36"	EXTADV-EA-36	EXTCB2-EA-36
48"	EXTADV-EA-48	EXTCB2-EA-48
60"	EXTADV-EA-60	EXTCB2-EA-60
72"	EXTADV-EA-72	EXTCB2-EA-72
84"	EXTADV-EA-84	EXTCB2-EA-84



Supplied with PRO C2 conventional air cap and 1.2 mm fluid tip.

To fit AG-362 automatic gun.

“Type EA” - Forward fan spray for AG-362 only

Length	AG-362
6"	EXT362-EA-06
9"	EXT362-EA-09
12"	EXT362-EA-12
15"	EXT362-EA-15
18"	EXT362-EA-18
24"	EXT362-EA-24
30"	EXT362-EA-30
36"	EXT362-EA-36
48"	EXT362-EA-48
60"	EXT362-EA-60
72"	EXT362-EA-72
84"	EXT362-EA-84



Supplied with J2SS x AA1 fan spray set up (fluid tip 0.043")

7/8" (22mm) clearance diameter

46-1042 round spray cap (optional)

“Type EAX” - Forward fan spray

Length	Advance Conv.	Cobra 2	Price	AG-362
6"	EXTADV-EAX-06	EXTCB2-EAX-06	£1,498.70	EXT362-EAX-06
9"	EXTADV-EAX-09	EXTCB2-EAX-09	p.o.a	EXT362-EAX-09
12"	EXTADV-EAX-12	EXTCB2-EAX-12	£1,498.70	EXT362-EAX-12
15"	EXTADV-EAX-15	EXTCB2-EAX-15	£1,498.70	EXT362-EAX-15
18"	EXTADV-EAX-18	EXTCB2-EAX-18	p.o.a	EXT362-EAX-18
24"	EXTADV-EAX-24	EXTCB2-EAX-24	£1,529.70	EXT362-EAX-24
30"	EXTADV-EAX-30	EXTCB2-EAX-30	£1,529.70	EXT362-EAX-30
36"	EXTADV-EAX-36	EXTCB2-EAX-36	p.o.a	EXT362-EAX-36
48"	EXTADV-EAX-48	EXTCB2-EAX-48	£1,579.00	EXT362-EAX-48
60"	EXTADV-EAX-60	EXTCB2-EAX-60	p.o.a	EXT362-EAX-60
72"	EXTADV-EAX-72	EXTCB2-EAX-72	£1,615.40	EXT362-EAX-72
84"	EXTADV-EAX-84	EXTCB2-EAX-84	£1,615.40	EXT362-EAX-84



Supplied with 66BSSx63PB set up
(fluid tip 0.046")

3" (76mm) clearance diameter

"Type EB" - 90 degree fan spray

Length	Advance Conv.	Cobra 2
6"	EXTADV-EB-06	EXTCB2-EB-06
9"	EXTADV-EB-09	EXTCB2-EB-09
12"	EXTADV-EB-12	EXTCB2-EB-12
15"	EXTADV-EB-15	EXTCB2-EB-15
18"	EXTADV-EB-18	EXTCB2-EB-18
24"	EXTADV-EB-24	EXTCB2-EB-24
30"	EXTADV-EB-30	EXTCB2-EB-30
36"	EXTADV-EB-36	EXTCB2-EB-36
48"	EXTADV-EB-48	EXTCB2-EB-48
60"	EXTADV-EB-60	EXTCB2-EB-60
72"	EXTADV-EB-72	EXTCB2-EB-72
84"	EXTADV-EB-84	EXTCB2-EB-84



Supplied with PRO C2 conventional air cap
and 1.2 mm fluid tip.

To fit AG-362 automatic gun.

"Type EB" - 90 degree fan spray for AG-362 only

Length	AG-362
6"	EXT362-EB-06
9"	EXT362-EB-09
12"	EXT362-EB-12
15"	EXT362-EB-15
18"	EXT362-EB-18
24"	EXT362-EB-24
30"	EXT362-EB-30
36"	EXT362-EB-36
48"	EXT362-EB-48
60"	EXT362-EB-60
72"	EXT362-EB-72
84"	EXT362-EB-84



Supplied with J2SS x AA1 fan spray set up
(fluid tip 0.043")

1 7/8" (45mm) clearance diameter

42-1042 roundspray cap (optional)

"Type EBX" - 90 degree fan spray

Length	Advance Conv.	Cobra 2	AG-362
6"	EXTADV-EBX-06	EXTCB2-EBX-06	EXT362-EBX-06
9"	EXTADV-EBX-09	EXTCB2-EBX-09	EXT362-EBX-09
12"	EXTADV-EBX-12	EXTCB2-EBX-12	EXT362-EBX-12
15"	EXTADV-EBX-15	EXTCB2-EBX-15	EXT362-EBX-15
18"	EXTADV-EBX-18	EXTCB2-EBX-18	EXT362-EBX-18
24"	EXTADV-EBX-24	EXTCB2-EBX-24	EXT362-EBX-24
30"	EXTADV-EBX-30	EXTCB2-EBX-30	EXT362-EBX-30
36"	EXTADV-EBX-36	EXTCB2-EBX-36	EXT362-EBX-36
48"	EXTADV-EBX-48	EXTCB2-EBX-48	EXT362-EBX-48
60"	EXTADV-EBX-60	EXTCB2-EBX-60	EXT362-EBX-60
72"	EXTADV-EBX-72	EXTCB2-EBX-72	EXT362-EBX-72
84"	EXTADV-EBX-84	EXTCB2-EBX-84	EXT362-EBX-84

“Type EN” - 45 degree fan spray



Supplied with 66BSSx66PB set up (fluid tip 0.046")
2 5/8" (67mm) clearance diameter

Length	Advance Conv.	Cobra 2
6"	EXTADV-EN-06	EXTCB2-EN-06
9"	EXTADV-EN-09	EXTCB2-EN-09
12"	EXTADV-EN-12	EXTCB2-EN-12
15"	EXTADV-EN-15	EXTCB2-EN-15
18"	EXTADV-EN-18	EXTCB2-EN-18
24"	EXTADV-EN-24	EXTCB2-EN-24
30"	EXTADV-EN-30	EXTCB2-EN-30
36"	EXTADV-EN-36	EXTCB2-EN-36
48"	EXTADV-EN-48	EXTCB2-EN-48
60"	EXTADV-EN-60	EXTCB2-EN-60
72"	EXTADV-EN-72	EXTCB2-EN-72
84"	EXTADV-EN-84	EXTCB2-EN-84

“Type EN” - 45 degree fan spray for AG-362 only



Supplied with PRO C2 conventional air cap and 1.2 mm fluid tip.
To fit AG-362 automatic gun.

Length	Part Number - AG-362
6"	EXT362-EN-06
9"	EXT362-EN-09
12"	EXT362-EN-12
15"	EXT362-EN-15
18"	EXT362-EN-18
24"	EXT362-EN-24
30"	EXT362-EN-30
36"	EXT362-EN-36
48"	EXT362-EN-48
60"	EXT362-EN-60
72"	EXT362-EN-72
84"	EXT362-EN-84

“Type ENX” - 45 degree fan spray



Supplied with J2SS x AA1 fan spray set up (fluid tip 0.043")
1 3/4" (44mm) clearance diameter
42-1042 round spray cap (optional)

Length	Advance Conv.	Cobra 2	AG-362
6"	EXTADV-ENX-06	EXTCB2-ENX-06	EXT362-ENX-06
9"	EXTADV-ENX-09	EXTCB2-ENX-09	EXT362-ENX-09
12"	EXTADV-ENX-12	EXTCB2-ENX-12	EXT362-ENX-12
15"	EXTADV-ENX-15	EXTCB2-ENX-15	EXT362-ENX-15
18"	EXTADV-ENX-18	EXTCB2-ENX-18	EXT362-ENX-18
24"	EXTADV-ENX-24	EXTCB2-ENX-24	EXT362-ENX-24
30"	EXTADV-ENX-30	EXTCB2-ENX-30	EXT362-ENX-30
36"	EXTADV-ENX-36	EXTCB2-ENX-36	EXT362-ENX-36
48"	EXTADV-ENX-48	EXTCB2-ENX-48	EXT362-ENX-48
60"	EXTADV-ENX-60	EXTCB2-ENX-60	EXT362-ENX-60
72"	EXTADV-ENX-72	EXTCB2-ENX-72	EXT362-ENX-72
84"	EXTADV-ENX-84	EXTCB2-ENX-84	EXT362-ENX-84



Supplied with J2SS x AA1 fan spray set up
(fluid tip 0.043")

2" (51mm) clearance diameter

42-1042 round spray cap (optional)

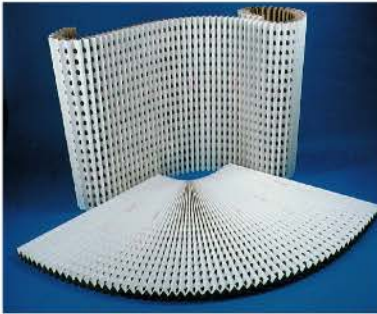
"Type ERX" - 30 degree reverse fan spray

Length	Advance Conv.	Cobra 2	AG-362
6"	EXTADV-ERX-06	EXTCB2-ERX-06	EXT362-ERX-06
9"	EXTADV-ERX-09	EXTCB2-ERX-09	EXT362-ERX-09
12"	EXTADV-ERX-12	EXTCB2-ERX-12	EXT362-ERX-12
15"	EXTADV-ERX-15	EXTCB2-ERX-15	EXT362-ERX-15
18"	EXTADV-ERX-18	EXTCB2-ERX-18	EXT362-ERX-18
24"	EXTADV-ERX-24	EXTCB2-ERX-24	EXT362-ERX-24
30"	EXTADV-ERX-30	EXTCB2-ERX-30	EXT362-ERX-30
36"	EXTADV-ERX-36	EXTCB2-ERX-36	EXT362-ERX-36
48"	EXTADV-ERX-48	EXTCB2-ERX-48	EXT362-ERX-48
60"	EXTADV-ERX-60	EXTCB2-ERX-60	EXT362-ERX-60
72"	EXTADV-ERX-72	EXTCB2-ERX-72	EXT362-ERX-72
84"	EXTADV-ERX-84	EXTCB2-ERX-84	EXT362-ERX-84

Bare spray guns for use with Extensions

Gun	Part Number
Advance Pressure Conventional less air cap, retaining ring, tip and needle	ADV-P000-00
AG-362 Conventional less air cap, retaining ring tip and needle without base	AG362-000-00
AG-362 Conventional less air cap, retaining ring tip and needle with screw base (no recirculation)	AG362-000-00-S
AG-362 Conventional less air cap, retaining ring tip and needle with screw base (recirculation)	AG362-000-00-T
AG-362 Conventional less air cap, retaining ring tip and needle with lever base	AG362-000-00-L
Cobra 2 Conventional less air cap, retaining ring tip and needle	CBA2-000-00

The above guns will only be supplied with extensions and can not be purchased separately.



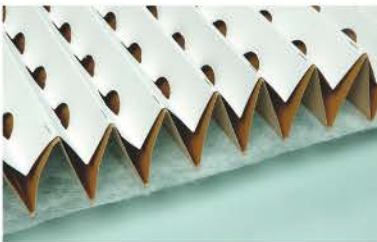
ECO Spray booth filter paper

Part no.	Size
207229EF	H 90 x L 924 cm (36" x 30 ft) - 10 Yards ²
207900EF	H 75 x L 1,346 cm (30" x 44 ft) - 10m ²
207901EF	H 90 x L 1,115 cm (36" x 36 ft) - 10m ²
207902EF	H 100 x L 1,038 cm (39" x 34 ft) - 10m ²



Standard Spray booth filter paper

Part no.	Size
207229F	H 90 x L 924 cm (36" x 30 ft) - 10 Yards ²
207901F	H 90 x L 1,115 cm (36" x 36 ft) - 10m ²
207902F	H 100 x L 1,038 cm (39" x 34 ft) - 10m ²



Super Efficiency Spray booth filter paper

Part no.	Size
207229SEF	H 90 x L 600 cm (36" x 20ft) - 5.4m ²
207902SEF	H 100 x L 800 cm (39" x 27 ft) - 8m ²
207901SEF	H 90 x L 914 cm (36" x 30ft) - 8m ²



Professional Spray Gun Cleaning Kit

Part no.	Description
KK-4584	Professional spray gun cleaning kit



In-Line Air Filter

Part no.	Description
HAF-507	In-line air filter



Gun Cleaning Brushes

Part no.	Description
4900-5-1-K3	Gun cleaning brushes x 3



In-Line Air Adjusting Valve

Part no.	Description
HAV-501-B	In-line air adjusting valve



Suction Cup Filters

Part no.	Description
KR-484-K10	51 mesh filter screen x 10
KR-483-K10	130 mesh filter screen x 10



Gun Mounted Filters

Part no.	Description
VSA-3-K5	Spare 60 micron Green Filter x 5
VSA-4-K5	Spare 112 micron Blue Filter x 5
VSA-5-K5	Spare 280 micron White Filter x 5



Drip free Diaphragms

Part no.	Description
KR-115-K5	Drip free diaphragms



Disposable Pressure Tank Liners

Part no.	Description
PT-78-K10 10L	(2.8gal) - 10 pack
PT-78-K60 10L	(2.8 gal) - 60 pack
PTL-412-K8 40L	(11.8 gal) - 8 pack
PTL-415-K10 60L	(19.8 gal) - 10 pack



Suction Cup Lid Gaskets

Part no.	Description
KR-11-K3	Tri seal gaskets x 3
KR-69-K3	Leather gaskets x 3



“Uni” Swivel Fitting (Low Pressure)

Part no.	Description
MPV-60-K3	Uni Swivel Fitting (Pack of 3)



Mixing Cups

Part no.	Description
MC-1-K50	Mixing cups x 50



Spot Pots

Part no.	Description
KR-110-K3	0.5 litre Spot Pot - 3 pack



Viscosity Cups

Part no.	Description
7000-114-K2	Viscosity x 2



Gravity Gun Stands

Part no.	Description
GFV-50-F	Single gravity gun bench top stand
GGG-1	3 gun stand



Gravity Cups Filters

Part no.	Description
KGP-5-K5	Gravity cup filters x 5
KGP-5-K10	Gravity cup filters x 10



Mini Filter (Fluid)

Part no.	Description
MF-6B-70B	74 micron mesh 3/8" BSP
MF-6B-100B	100 micron mesh 3/8" BSP
MF-6B-150B	149 micron mesh 3/8" BSP
MF-6B-200B	200 micron mesh 3/8" BSP



Conductive Gloves

Part no.	Description
76633-00-L-K12	Conductive gloves x 12, size L



Disposable Gun Covers

Part no.	Description
79529-00-K5	Disposable gun covers x 5 for Vector and Solo
80395-00-K10	Disposable gun covers x 10 for RansFlex
80395-00-K100	Disposable gun covers x 100 for RansFlex



Protection Hose

Part no.	Description
11775-05	Protection hose 55mm grey
11775-10	Protection hose 30mm grey



DeKups Disposable Cup System

Part no.	Description
DPC-601	Kit contains 32 disposable lids and liners.
DPC-606	Kit contains 2 disposable lids and liners

Spray Gun Oil

Part no.	Description
GL-1-K10	Kit of 10 sachets of spray gun oil



VS-522 Fluid Strainer

Part no.	Description
VS-522	Fluid strainer complete with 150 micron filter
VS-55	Replacement 150 micron conical filter element



Booth Wall Coat/Clear Glass Coat

Part no.	Description
DC-BWC-K	Complete kit to spray entire booth including windows. 4 x bottles of Booth Wall Coat (3.78 l each) and 1 bottle of Clear Glass Coat (0.94 l)
DC-CGC-K6	Kit of 6 x bottles of Clear Glass Coat

Booth Wall Coat & Clear Glass Coat are only available in Mainland UK.

CARLISLE[®]

FLUID TECHNOLOGIES

Innovation Applied



@CarlisleFT



North America
EMEA
China
Japan

+1 800 992-4657
+44 (0) 1202 571111
+86 21 33730108
+81 045 785-6434

marketing@carlisleft.com
marketing-eu@carlisleft.com
mkt_cn@carlisleft.com
marketing-jp@carlisleft.com

BGK
A CARLISLE BRAND

BINKS
A CARLISLE BRAND

DEVILBISS
A CARLISLE BRAND

ECCO
A CARLISLE BRAND

Hosco
A CARLISLE BRAND

ms
A CARLISLE BRAND

Ransburg
A CARLISLE BRAND